

# BAILEY CLIP-ON PENDANT SHADE

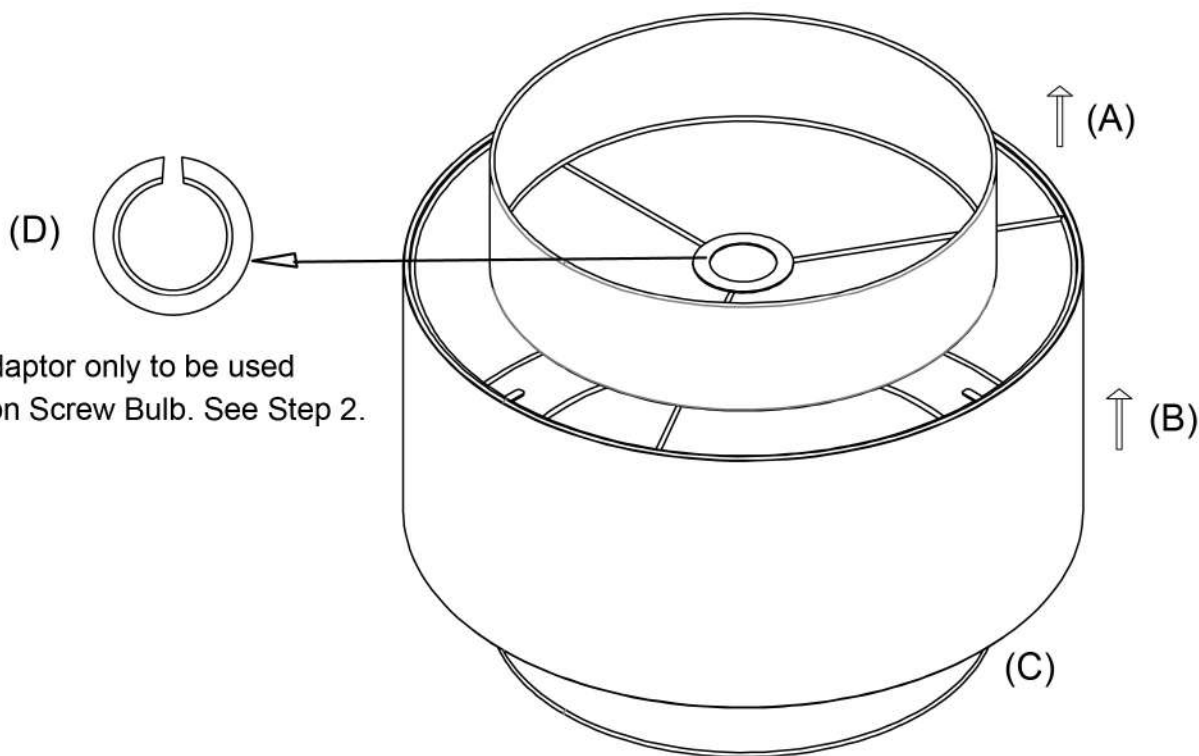
Item no.: 22P077 Keycode: 43265725

## INSTRUCTIONS FOR INSTALLATION:

**Caution:** Before adding or replacing your pendant, make sure the electricity is switched off and any plugs are removed from the wall socket. Always allow bulb to cool completely before installation.

**Caution:** Always ensure pendant is completely installed and secure before connecting to an electricity supply.

1. Remove Chandelier from packaging.
2. If you are using an E27 Edison Screw Bulb, remove Part (D) from the shade as per diagram.  
If you are using an E14 Edison Screw Bulb, please skip this step and move on to Step 3.
3. Lift lampshade (A) vertically, and lampshade (A), (B) and (C) are connected in series, without tilting. Make sure the lampshade doesn't come off.
4. Install Chandelier to light fitting.
5. Install Globe (not included) into the Lamp Holder.
6. Check to ensure that all the components have been assembled correctly.
7. Connect to electricity to see the Chandelier light up.



(D) Plastic Adaptor only to be used for E14 Edison Screw Bulb. See Step 2.

## CARE INFORMATION

1. Carefully read all instructions for the assembly and use of this product before connecting to an electricity supply.
  2. Light bulbs become very hot in seconds. Do not attempt to touch the light while the lamp is lit and supervise others accordingly.
  3. Before cleaning or replacing shade, switch off the light and unplug from the mains socket. Allow the bulb to cool for at least 10 minutes before touching it and making the change.
  4. Ensure the new bulb is secure in the holder before reconnecting to the power supply.
- If in doubt, consult a qualified electrician.

**FOR INDOOR USE ONLY.**