

Assembly Instructions

43266623 BLAKE LIFTUP COFFEE TABLE

CAUTIONS: TABLE CAN FOLD OR COLLAPSE IF LOCK NOT FULLY ENGAGED. KEEP FINGERS AWAY FROM MOVING PARTS. COMPLETELY UNFOLD TABLE OR FULLY ENGAGE LOCKS BEFORE USE. NEVER ALLOW CHILD TO FOLD OR UNFOLD TABLE.

CARE INSTRUCTIONS:






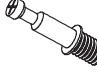

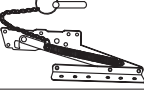
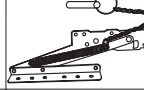

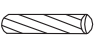

WIPE CLEAN WITH A SOFT DAMP CLOTH. NEVER USE SCOURERS, ABRASIVES OR CHEMICAL SOLVENTS. KEEP AWAY FROM MOISTURE AND DIRECT SUNLIGHT. STORE IN A DRY PLACE. FOR INDOOR USE ONLY.

WARNING:


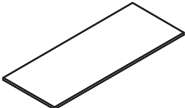
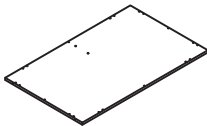
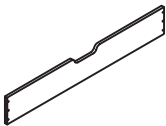

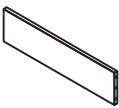
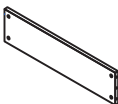

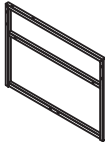
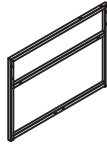

DO NOT STAND, SIT OR LEAN ON THE UNIT. DO NOT USE THIS UNIT AS A STEP LADDER. ENSURE THIS UNIT IS USED ONLY ON A FLAT SURFACE. DO NOT USE THIS UNIT UNLESS ALL BOLTS AND SCREWS ARE FIRMLY SECURED. DO NOT PLACE HOT OBJECTS SUCH AS COFFEE CUPS DIRECTLY ON THE SURFACE OF THIS FURNITURE ITEM. THIS ITEM IS FOR STORAGE PURPOSES ONLY. CONTAINS SMALL PARTS. IT IS TO BE ASSEMBLED BY AN ADULT. FAILURE TO FOLLOW THESE WARNINGS COULD RESULT IN SERIOUS INJURY.

MAXIMUM SAFE LOAD: TOP: 20KG; HOISTING TOP: 10KG; SHELF: 10KG.

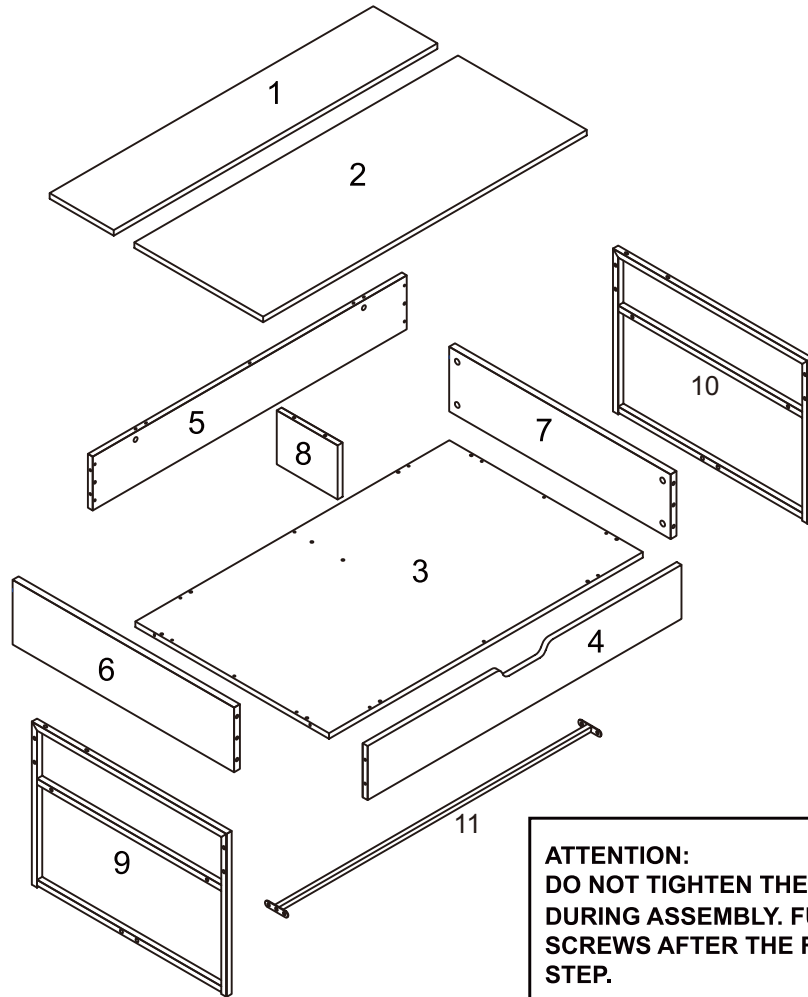
1 Hardware List

	A	M6x15mm	4pcs		B	M6x25mm	4pcs		C	F7x50mm	12pcs
	D	4x15mm	26pcs		E	M4x35mm	12pcs		F		10pcs
	G		10pcs		H		1pc		I		1pc
	J		1pcs		K	6x30mm	19pcs		L	Ø6mm	26pcs

2 Parts List

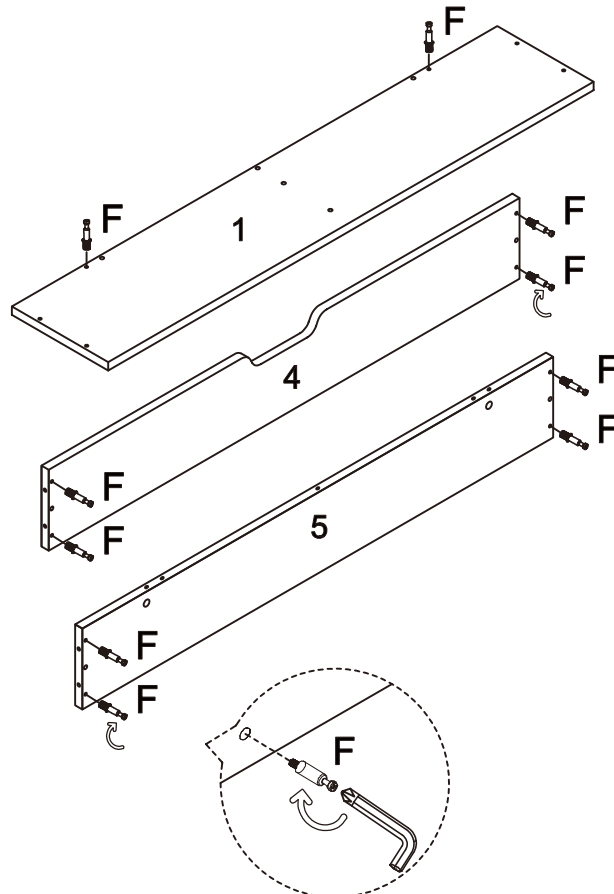
					
①	②	③	④	⑤	⑥
1pc	1pc	1pc	1pc	1pc	1pc
					
⑦	⑧	⑨	⑩	⑪	
1pc	1pc	1pc	1pc	1pc	



3

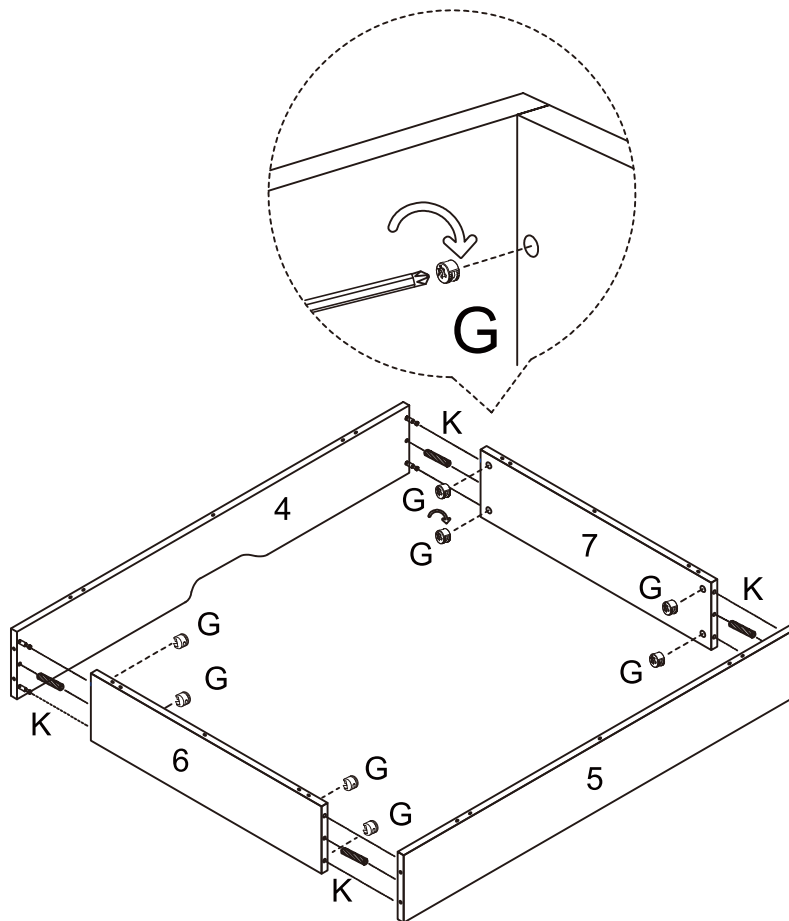



ATTENTION:
DO NOT TIGHTEN THE SCREWS FULLY
DURING ASSEMBLY. FULLY TIGHTEN
SCREWS AFTER THE FINAL ASSEMBLY
STEP.

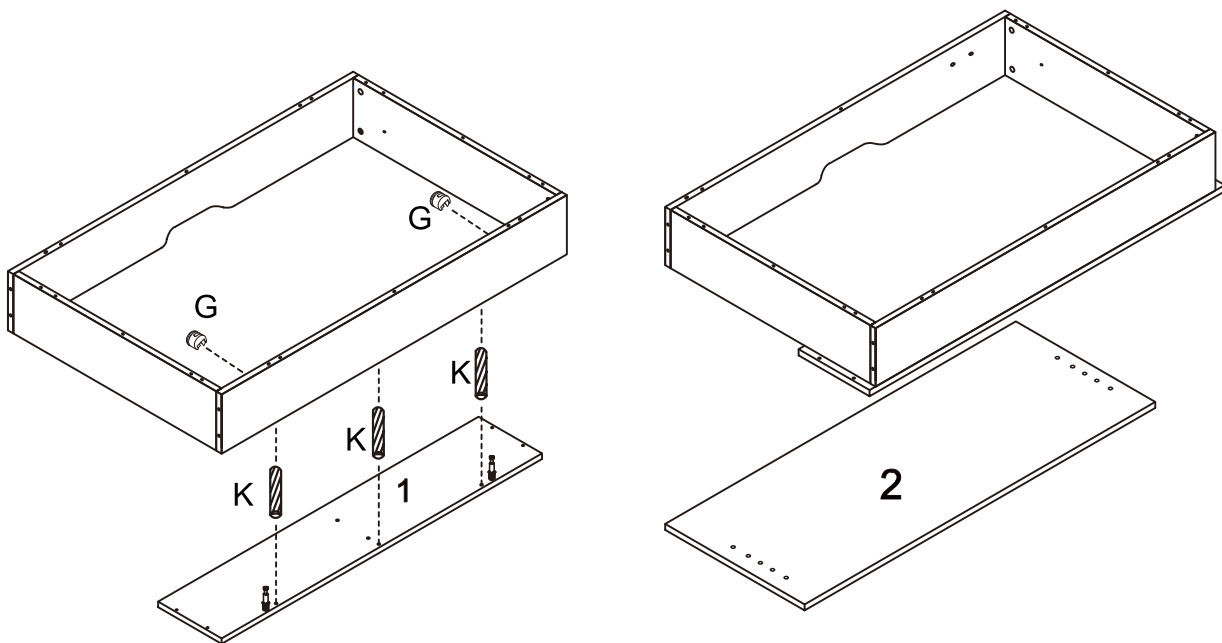
STEP 1  x10







STEP 2 G-  x8 K-  x4

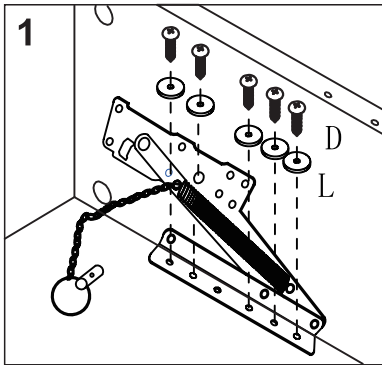


STEP 3 G-  x2 K-  x3

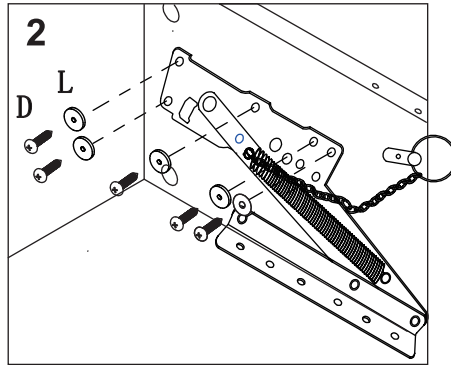


STEP 4

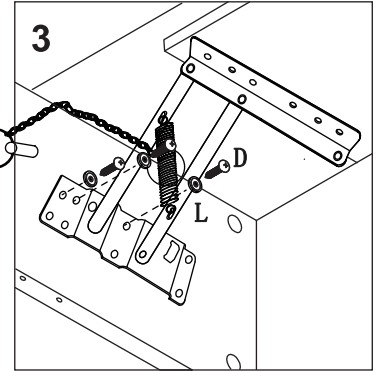
D-  x26 H-  x1 I-  x1 L-  x26



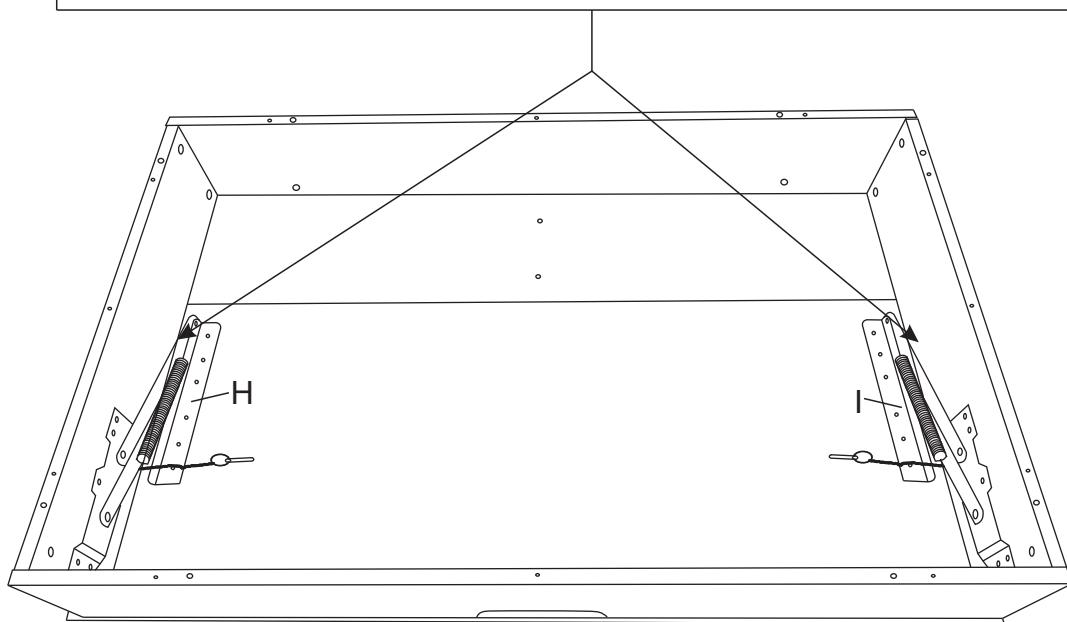
STEP A of bottom
5 Pcs Screws



STEP B of side
5 Pcs Screws

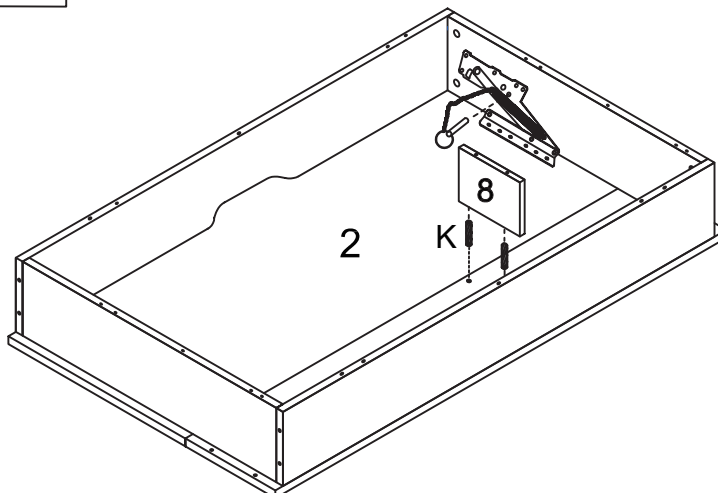


STEP C of side 3 Pcs Screws

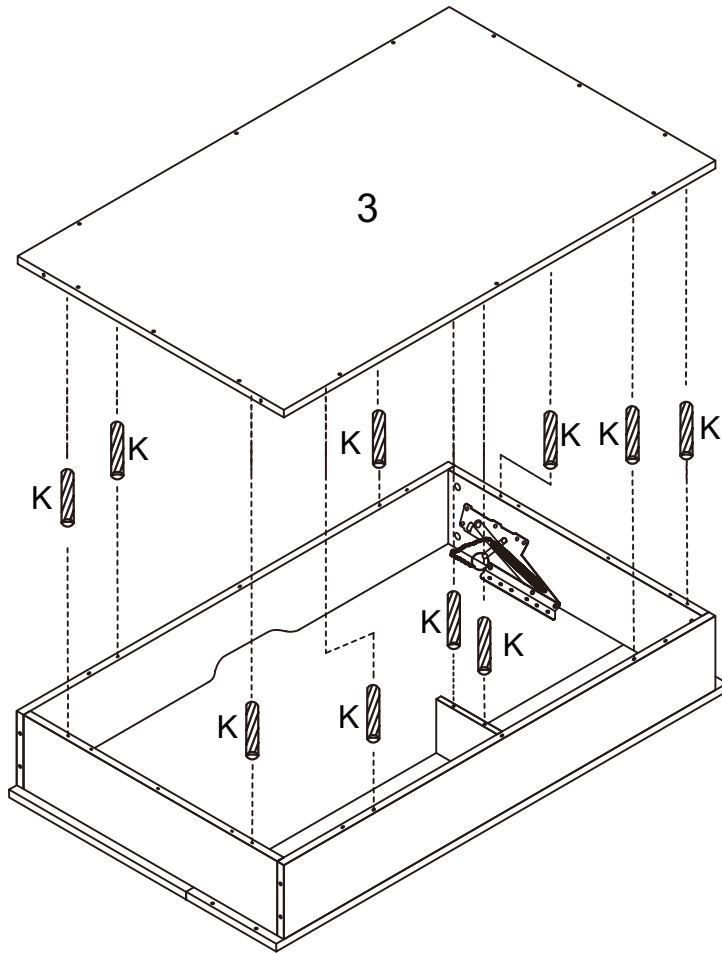


STEP 5

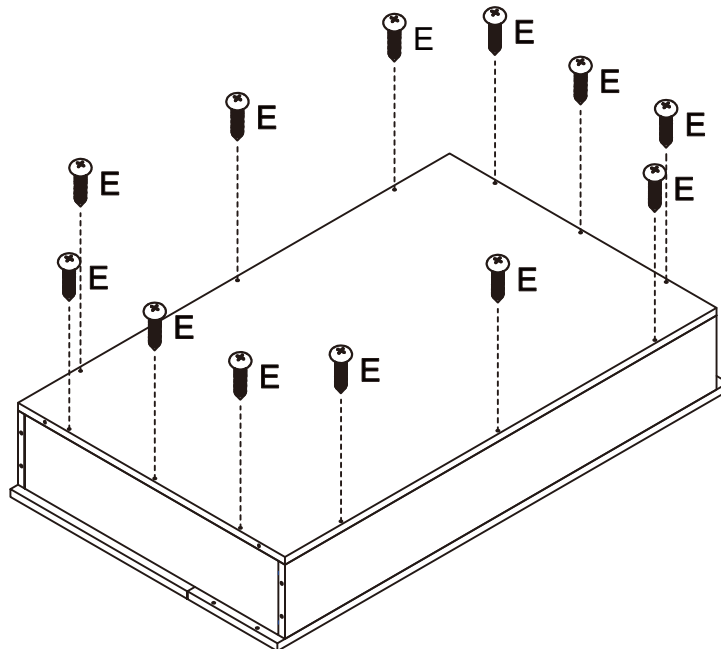
K-  x2



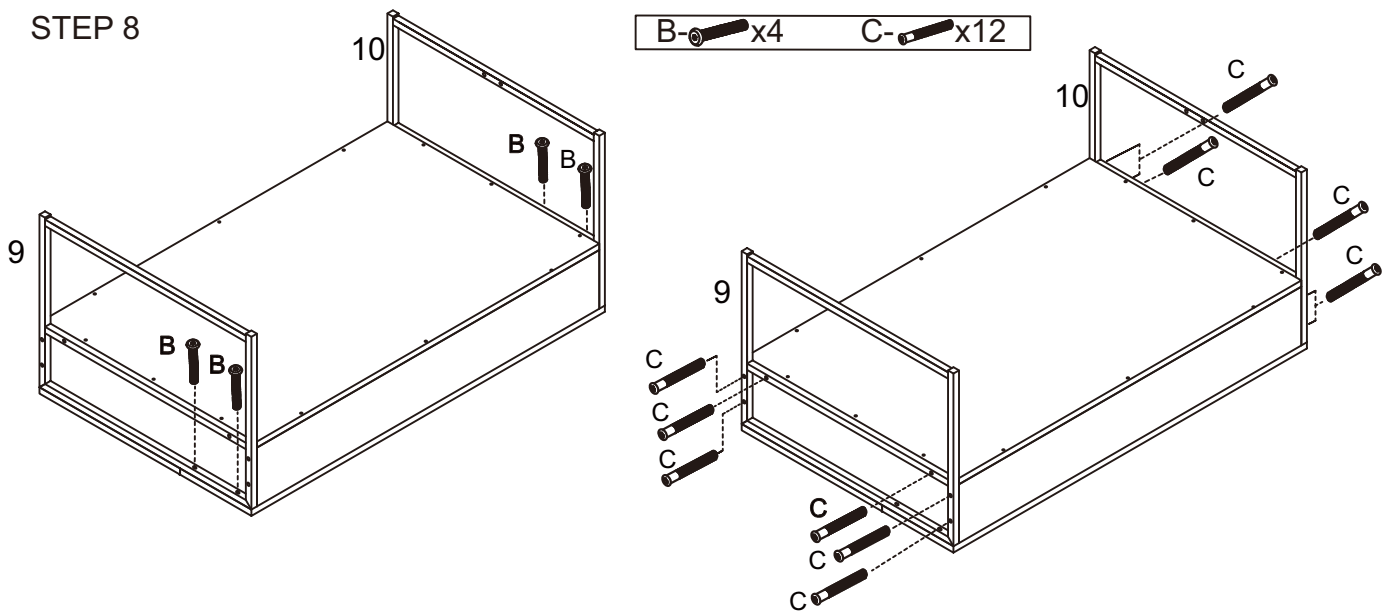
STEP 6  x10



STEP 7  x12

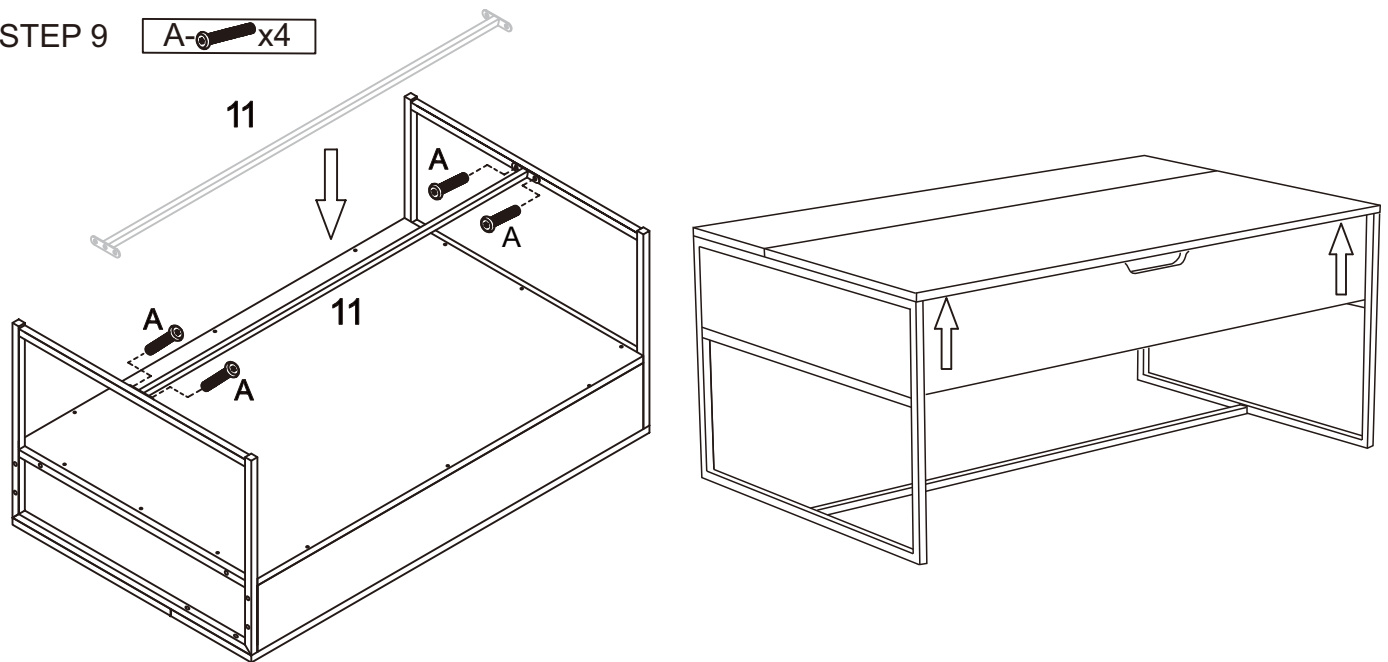


STEP 8

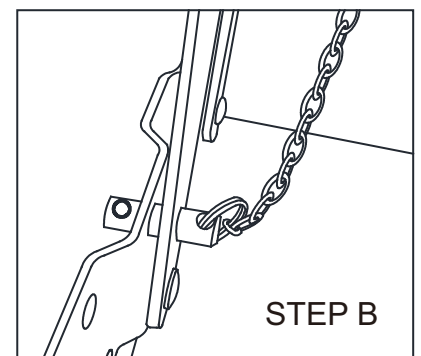
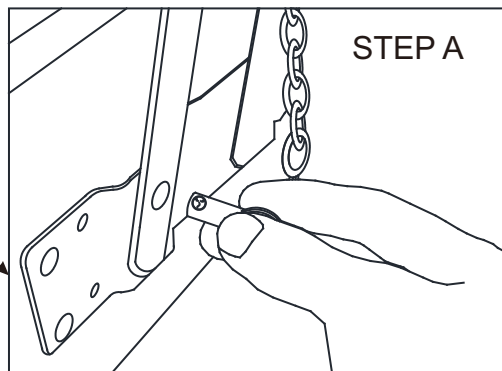
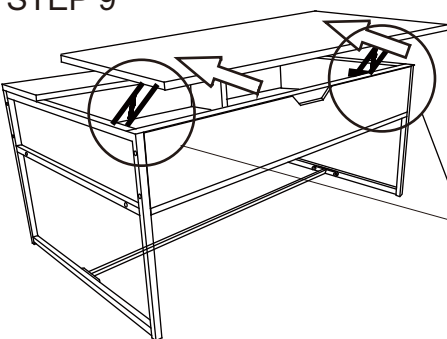


STEP 9

A-x4



STEP 9



PLS LOCK THE METAL BOLTS AFTER LIFTING THE TOP UP. UNLOCK IT BEFORE CLOSED.

CAUTIONS: PLS PUSH BY 2 HANDS IN THE SAME TIME. TABLE CAN FOLD OR COLLAPSE IF LOCK NOT FULLY ENGAGED. KEEP FINGERS AWAY FROM MOVING PARTS. COMPLETELY UNFOLD TABLE OR FULLY ENGAGE LOCKS BEFORE USE. NEVER ALLOW CHILD TO FOLD OR UNFOLD TABLE.