

Assembly Instructions

43266975 QB FRASER RATTAN BH

CARE INSTRUCTION:




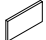


Wipe clean with a dry cloth. Do not use abrasive materials and solvents. Check and tighten all parts regularly. Keep away from water and direct sunlight. For indoor and domestic use.

WARNINGS:

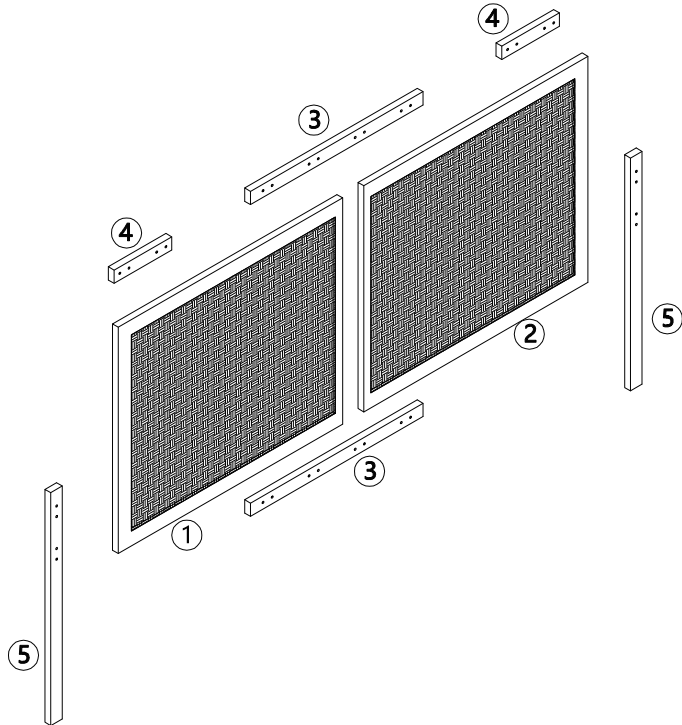
Do not stand on the bedhead surface. Do not use until all screws, bolts and knobs are firmly secured. This product contains small parts and sharp points, keep away from children and babies. Adult assembly required. Failure to follow these warnings could result in serious injury.


①

Hardware List

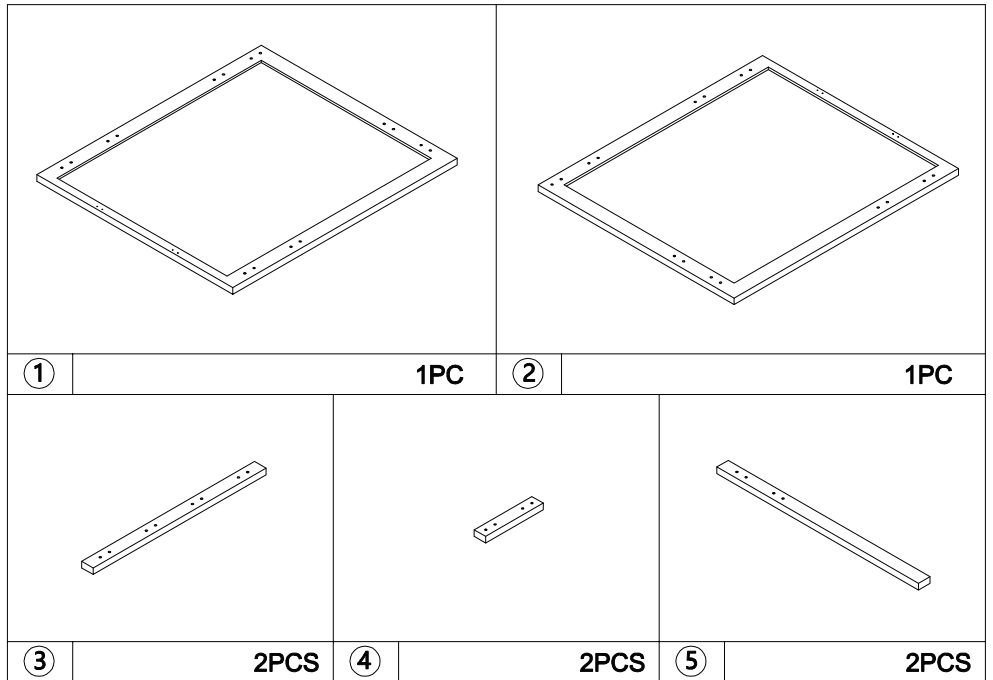
	A	M6x25mm	16pcs		D	M3x14mm	8pcs
	B	Ø6x20mm	16pcs		E		2pcs
	C		2pcs		F		1pc

②



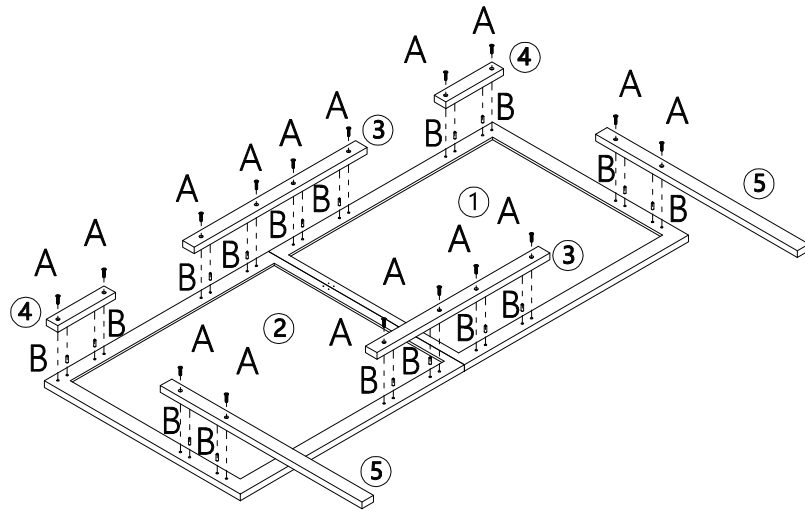

 Tool required
 Phillips Head Screw Driver
 (Not Provided)

③



STEP 1:

- A x 16
- B x 16
- F x 1



STEP 2:

- C x 2
- D x 8
- E x 2

