

Assembly Instructions

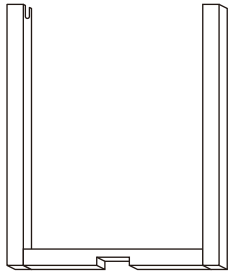
43267101 Cara Marble Side Table

WARNING: THIS PRODUCT CONTAINS SMALL PARTS AND SHARP POINTS, KEEP AWAY FROM CHILDREN AND BABIES. ADULT ASSEMBLY REQUIRED. DO NOT STAND, SIT OR LEAN ON THIS TABLE. DO NOT USE THE TABLE AS A CHOPPING SURFACE. DO NOT KNOCK OR DRAG THE PRODUCT. DO NOT USE THE TABLE UNLESS ALL SCREWS ARE FIRMLY SECURED. USE ONLY ON A FLAT SURFACE. FAILURE TO FOLLOW THESE WARNINGS COULD RESULT IN SERIOUS INJURY.

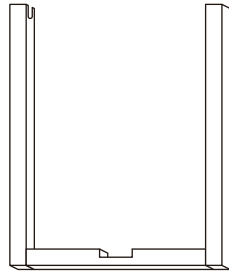
CARE INSTRUCTIONS: WIPE CLEAN WITH A SOFT DAMP CLOTH. DO NOT USE ABRASIVE MATERIALS AND SOLVENTS. STORE IN A DRY PLACE. FOR INDOOR AND DOMESTIC USE.

MAXIMUM LOAD WEIGHT: 10kg

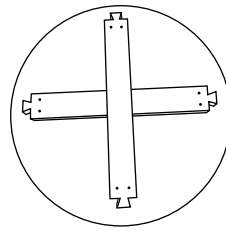
Parts List:



A x1



B x1



C x1

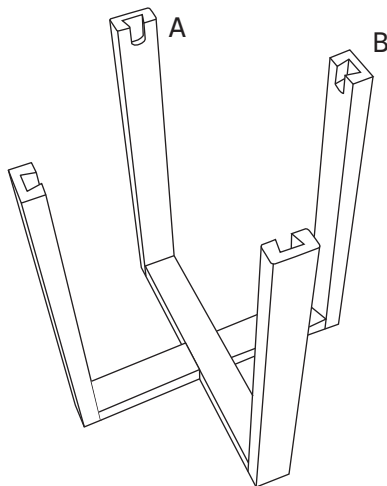


D x4

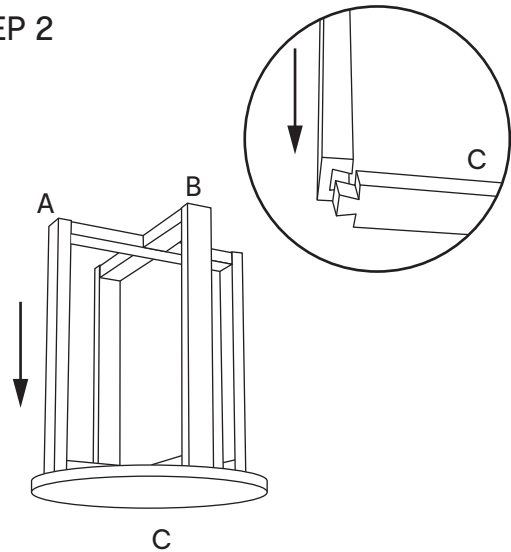


E x16

STEP 1



STEP 2



STEP 3

