

# Assembly Instruction

## 43267446 COOPER ENT UNIT OO

### CARE INSTRUCTIONS:




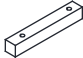
WIPE CLEAN WITH A SOFT DAMP CLOTH. DO NOT USE ABRASIVE MATERIALS AND SOLVENTS. CHECK AND TIGHTEN ALL PARTS REGULARLY. DO NOT PLACE HOT ITEMS SUCH AS COFFEE CUPS DIRECTLY ON THE SURFACE. KEEP AWAY FROM WATER AND DIRECT SUNLIGHT. STORE IN A DRY PLACE. FOR DOMESTIC USE ONLY. FOR INDOOR USE ONLY. A MILD ODOUR MAY BE PRESENT WHEN FIRST OPENING THIS CARTON. SIMPLY ALLOW TO AIR OUTSIDE AND THIS WILL FADE.


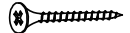

### WARNING:




DO NOT STAND OR SIT ON THIS UNIT. DO NOT USE THIS UNIT UNLESS ALL BOLTS AND SCREWS ARE FIRMLY SECURED. DO NOT KNOCK OR DRAG THIS UNIT. USE ONLY ON A FLAT SURFACE. LOAD SHELF EVENLY TO PREVENT FROM TIPPING OVER. THIS PACKAGE CONTAINS SMALL PARTS AND SHARP POINTS. KEEP AWAY FROM CHILDREN AND BABIES. ADULT ASSEMBLY REQUIRED. FAILURE TO FOLLOW THESE WARNINGS COULD RESULT IN SERIOUS INJURY.

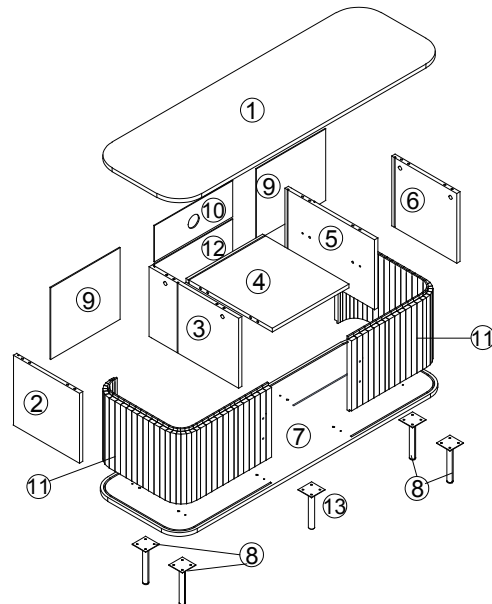
**MAXIMUM SAFE LOAD: 20KG FOR TABLE TOP, 5KG FOR SHELF.**

## Hardware List

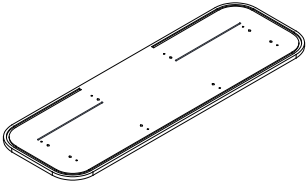
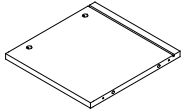
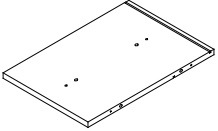
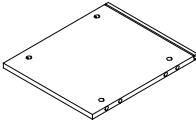
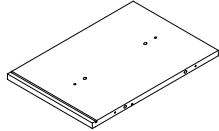
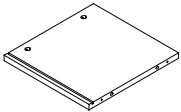
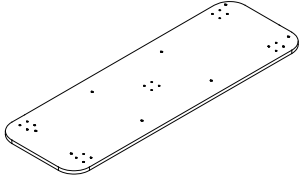

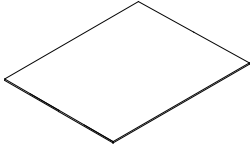
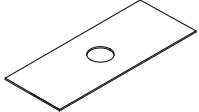
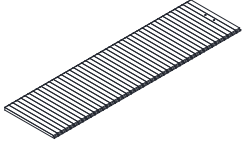
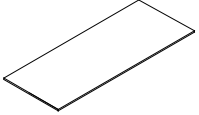

	A	6x35mm	12pcs
	B	15x9mm	12pcs
	C	6x30mm	20pcs
	D		2pcs

	E	4x25mm	4pcs
	F	4x40mm	8pcs
	G	4x16mm	20pcs

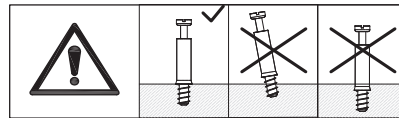
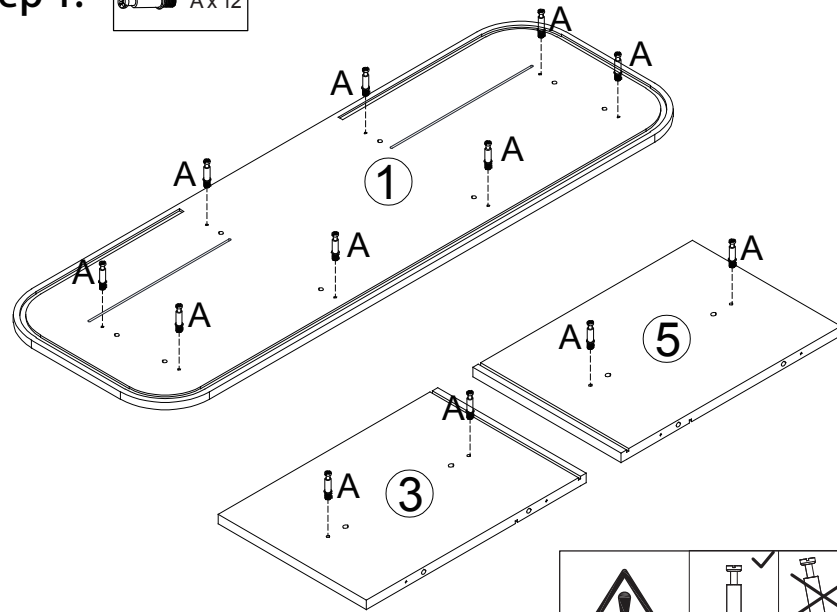
	H		8pcs
	I	3x14mm	8pcs
	J		1pc



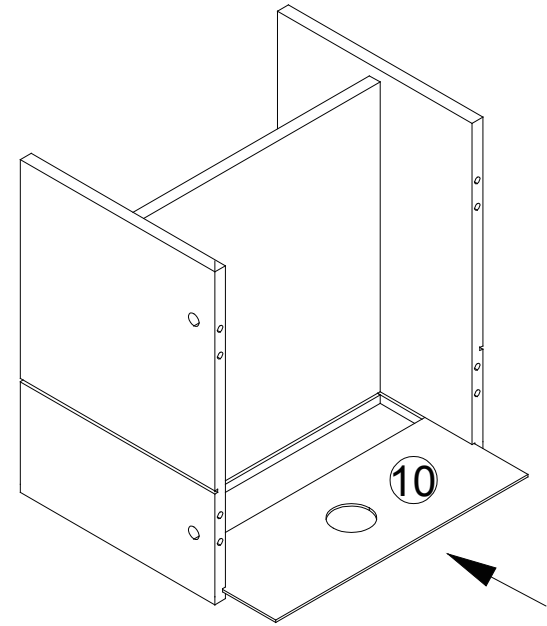
Do not tighten the screws fully during assembly.  
Fully tighten screws after the final assembly steps.

					
① 1 PC	② 1 PC	③ 1 PC	④ 1 PC	⑤ 1 PC	⑥ 1 PC
					
⑦ 1 PC	⑧ 4 PCS	⑨ 2 PCS	⑩ 1 PC	⑪ 2 PCS	⑫ 1 PC
					
⑬ 1 PC					

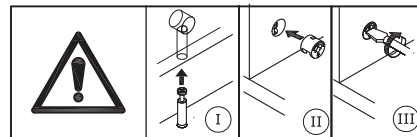
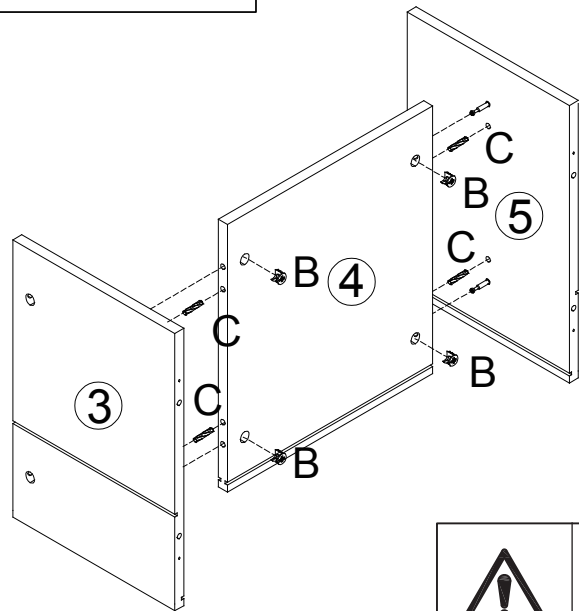
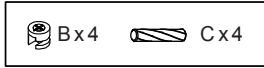
Step 1:



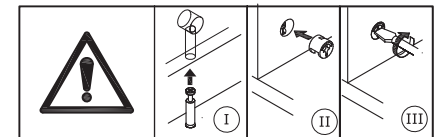
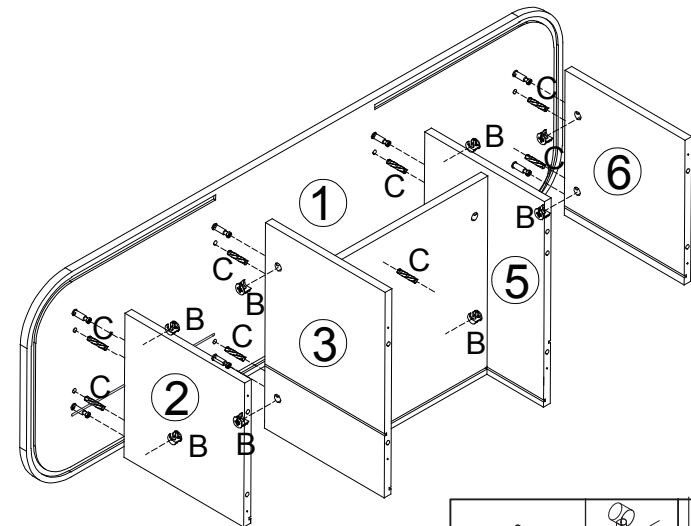
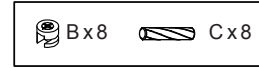
Step 3:



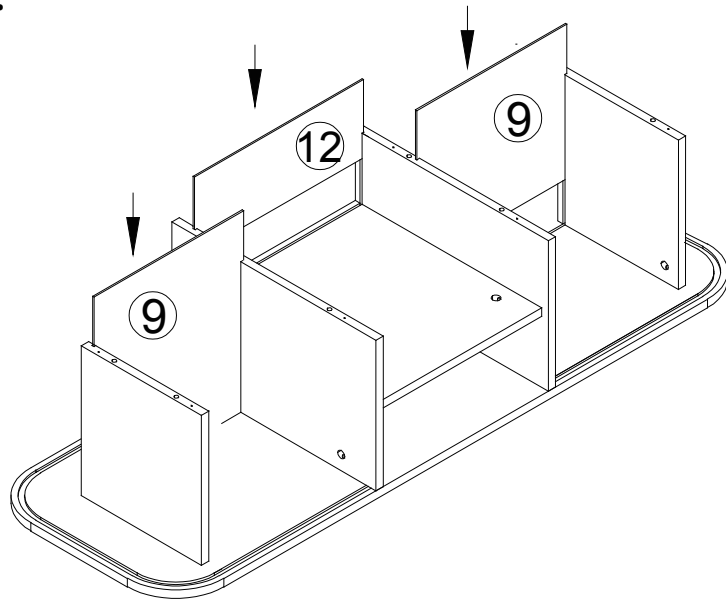
Step 2:



Step 4:



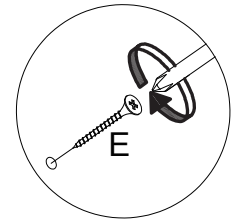
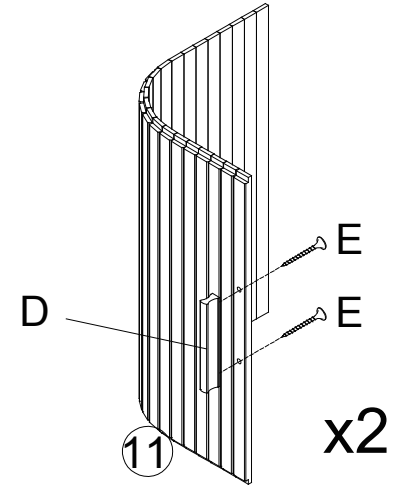
### Step 5:



### Step 7:

Ex 4  
4x25mm

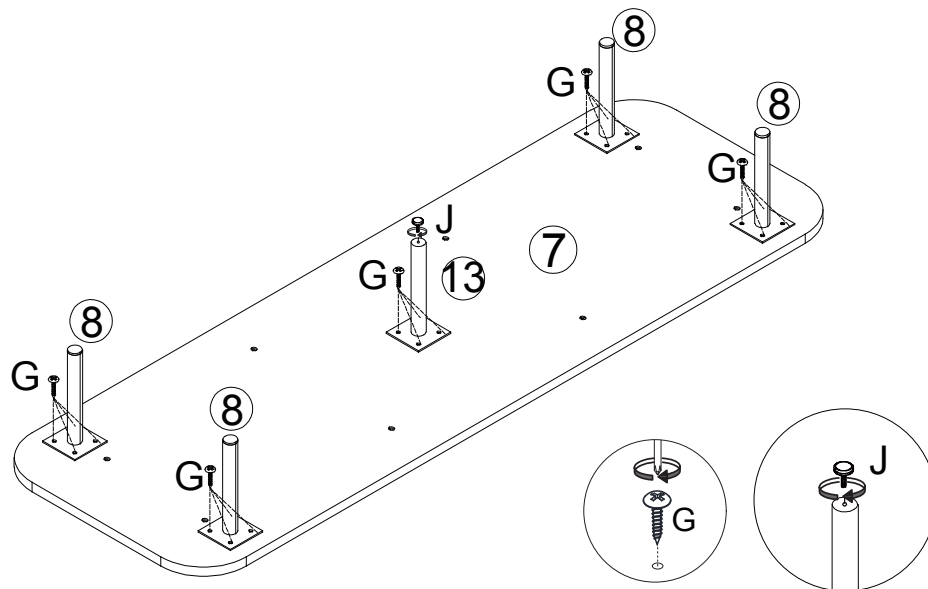
D x 2



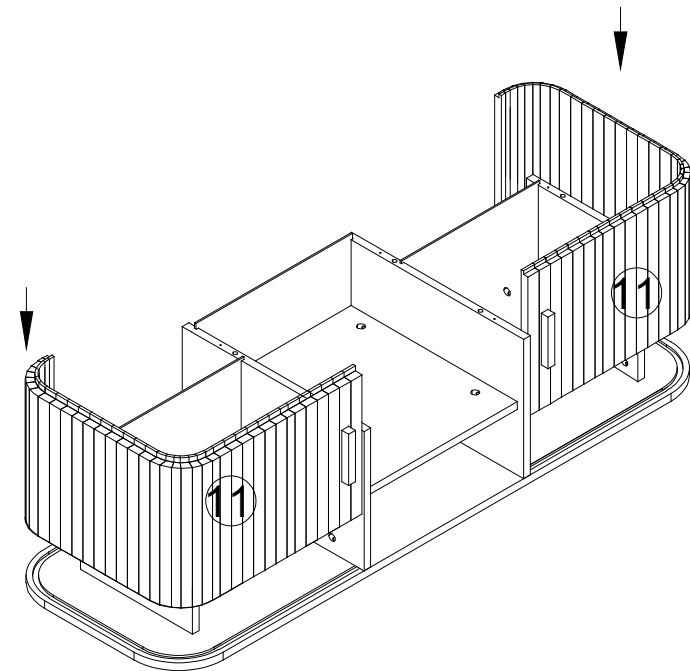
### Step 6:

G x 20

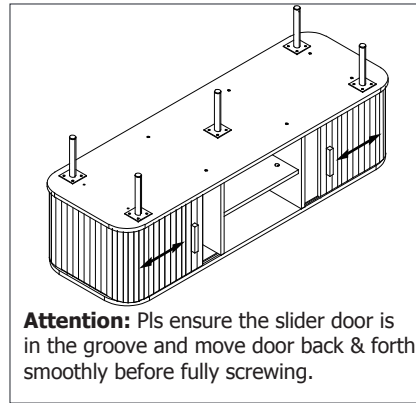
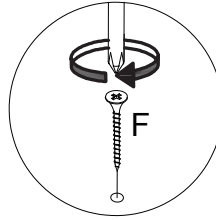
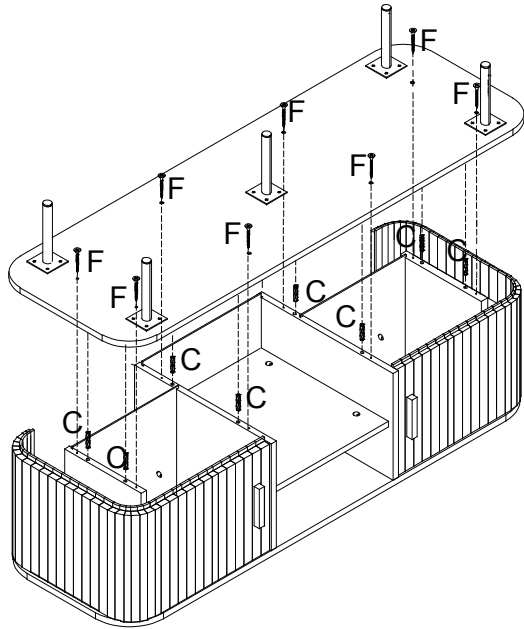
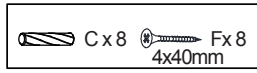
J x 1



### Step 8:

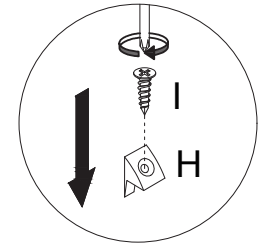
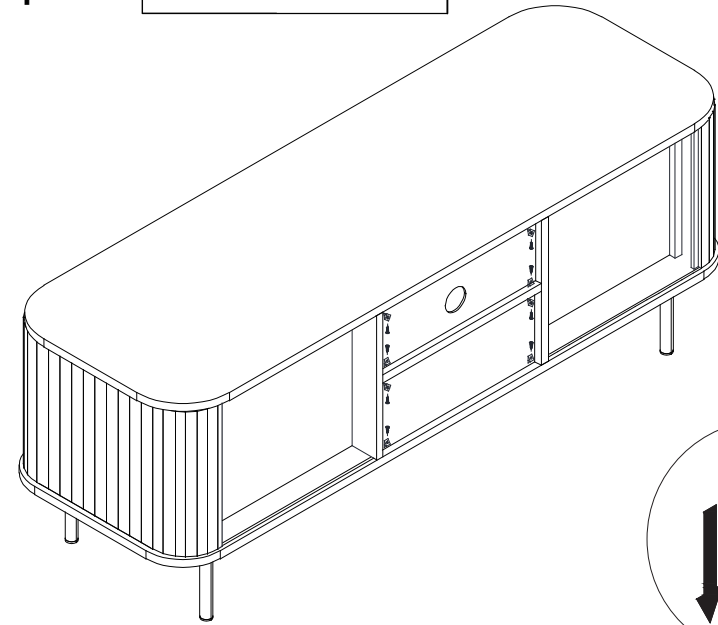
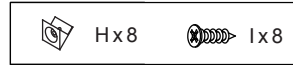


### Step 9:

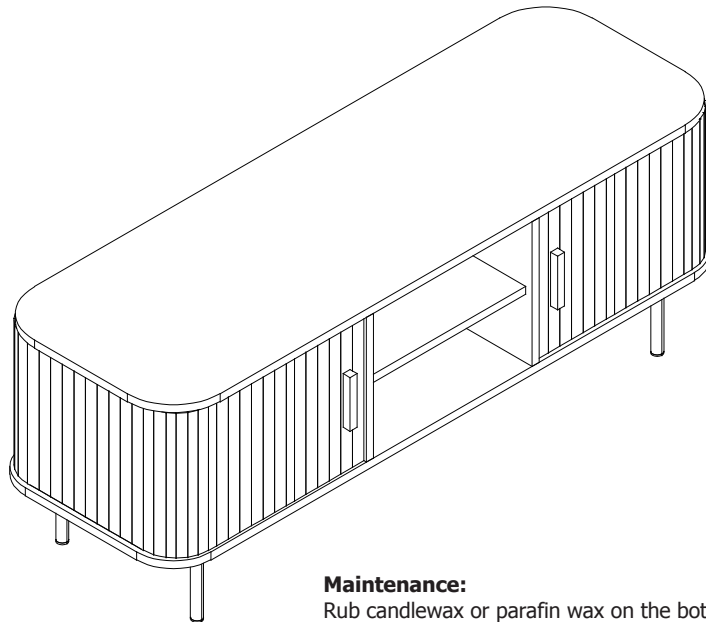


**Attention:** Pls ensure the slider door is in the groove and move door back & forth smoothly before fully screwing.

### Step 10:



### Step 11:



#### **Maintenance:**

Rub candlewax or parafin wax on the bottom of the groove and move the door back & forth regularly.