

Assembly Instructions

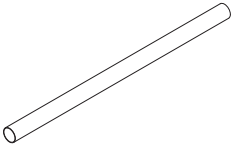
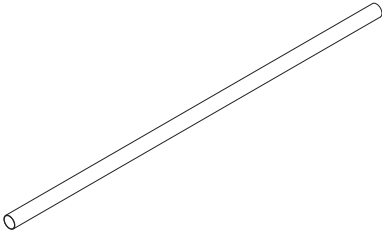
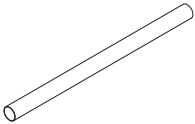
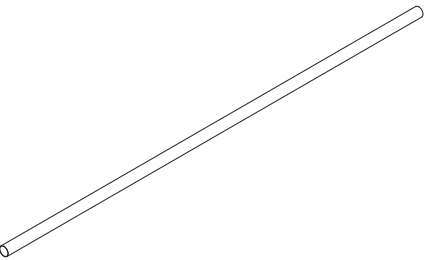
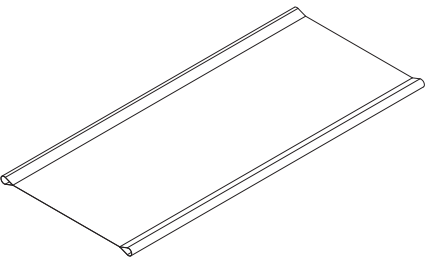
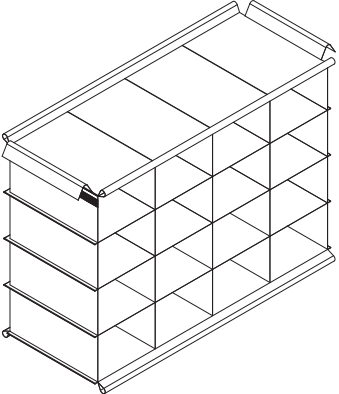

43267637 OPEN WARDROBE WITH SHOE STORAGE

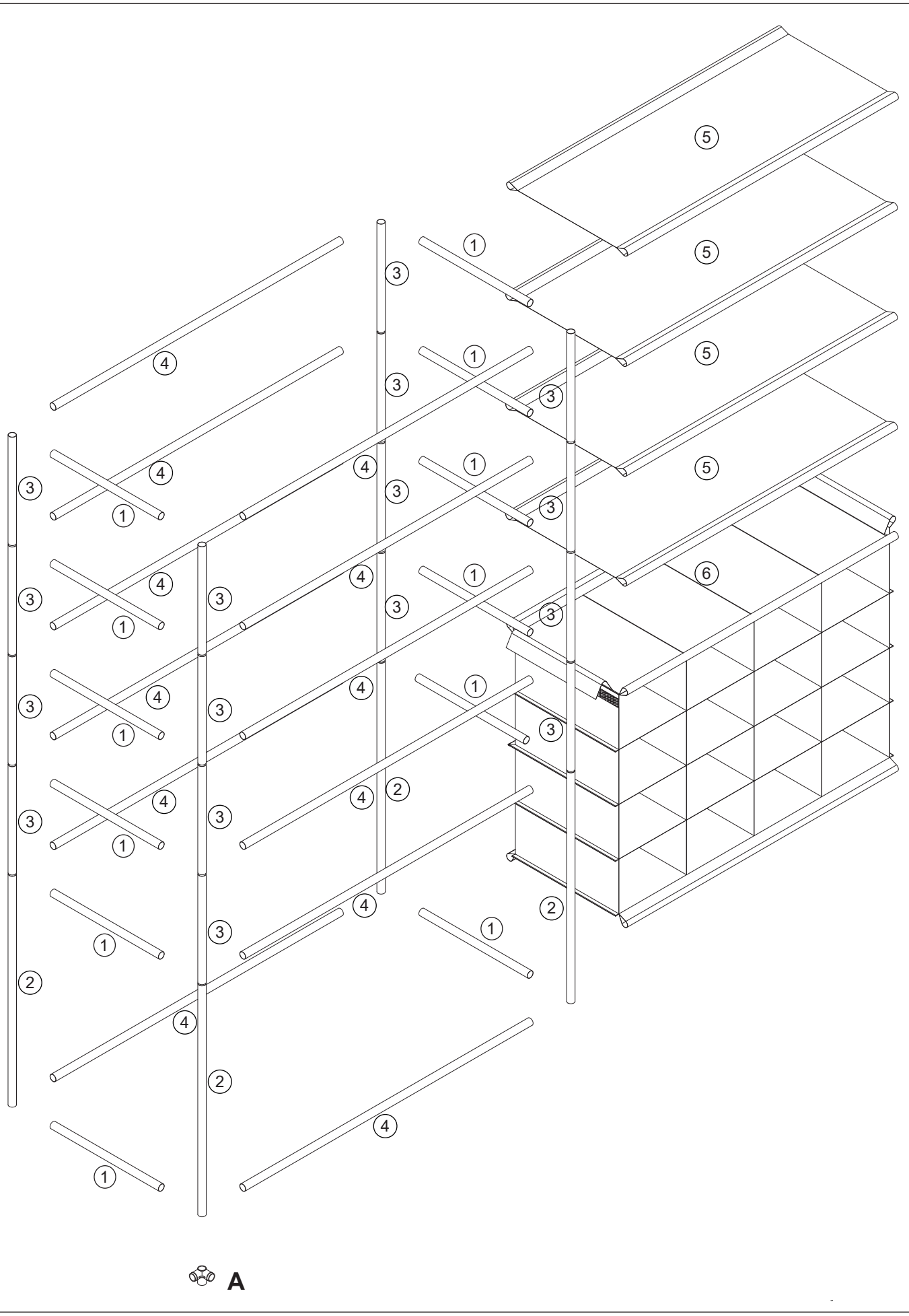
CARE INSTRUCTIONS: WIPE CLEAN WITH A SOFT DAMP CLOTH. DO NOT USE ABRASIVE MATERIAL AND SOLVENTS. KEEP AWAY FROM WATER AND DIRECT SUNLIGHT CHECK AND TIGHTEN ALL PARTS REGULARLY. ENSURE PARTS ARE PUSHED TOGETHER SECURELY. FOR INDOOR USE ONLY.

WARNING: DO NOT STAND ON THE UNIT. USE ONLY ON A FLAT SURFACE. DO NOT USE UNTIL ALL SCREWS, BOLTS AND KNOBS ARE FIRMLY SECURED. THIS PRODUCT CONTAINS SMALL PARTS AND SHARP POINTS, KEEP AWAY FROM CHILDREN AND BABIES. ADULT ASSEMBLY REQUIRED. FAILURE TO FOLLOW THESE WARNINGS COULD RESULT IN SERIOUS INJURY.

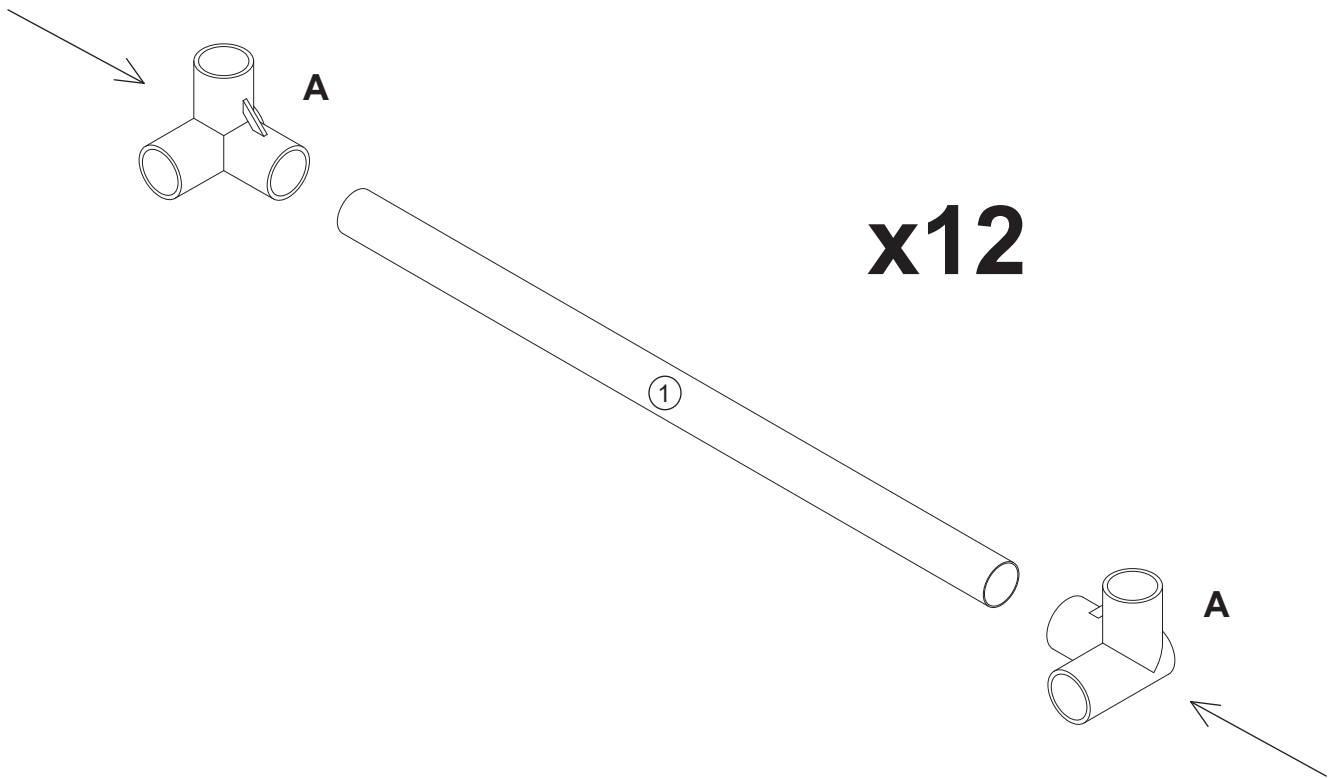
MAXIMUM SAFE LOAD: 3KG FOR EACH SHELF.

Parts List

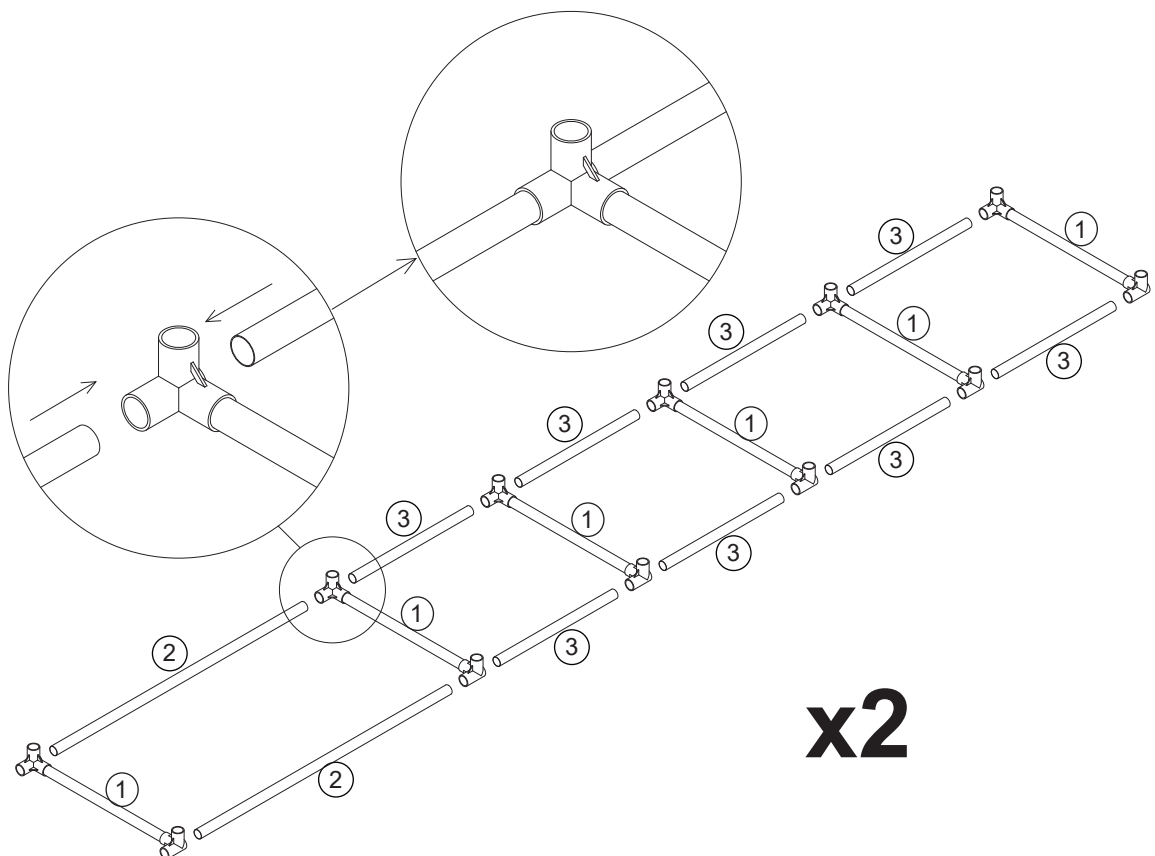
								
①	φ16*290mm	12pcs	②	φ16*535mm	4pcs	③	φ16*251mm	16pcs
								
④	φ16*770mm	12pcs	⑤		4pcs	⑥		1pc
								
A	24pcs							



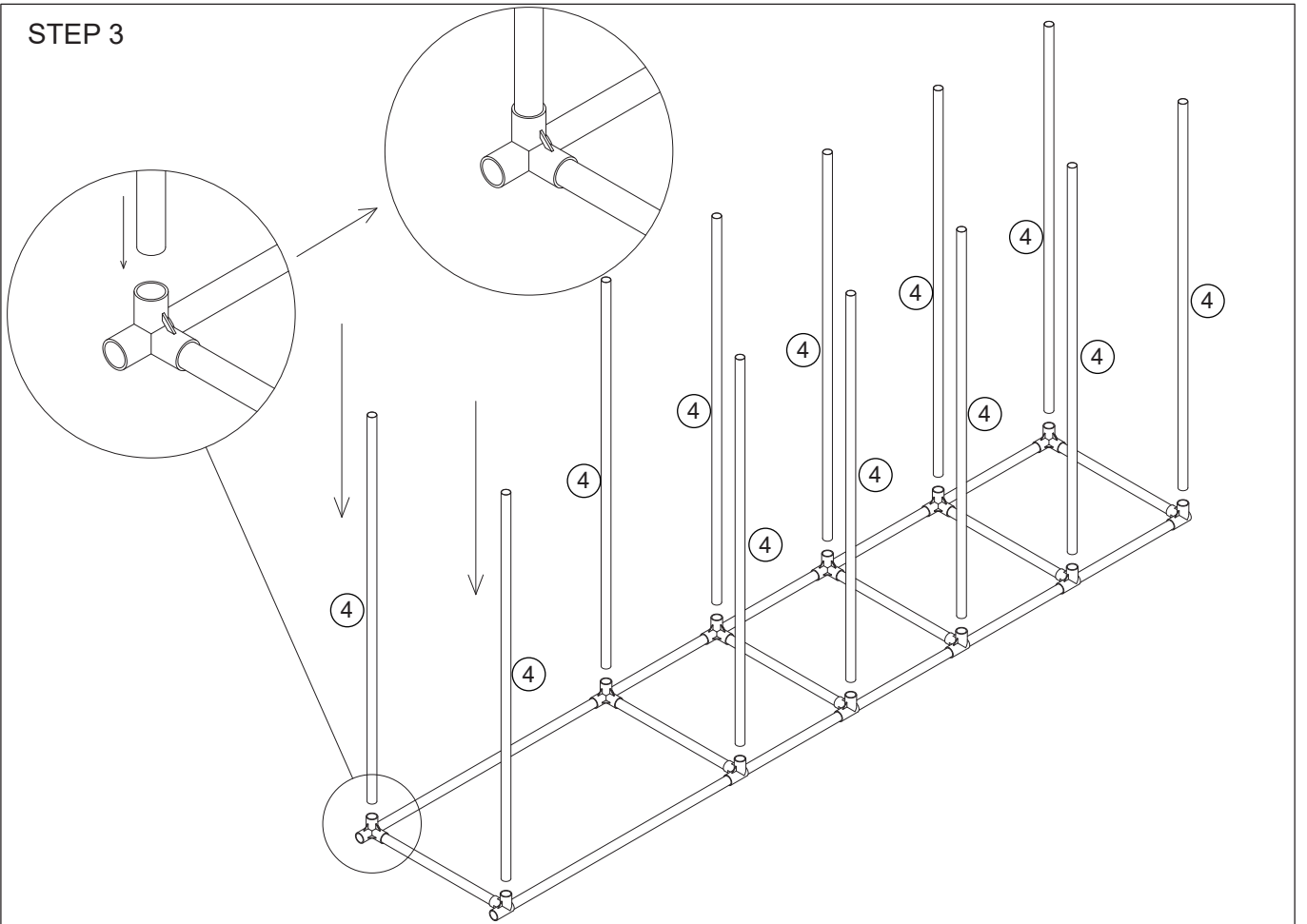
STEP 1



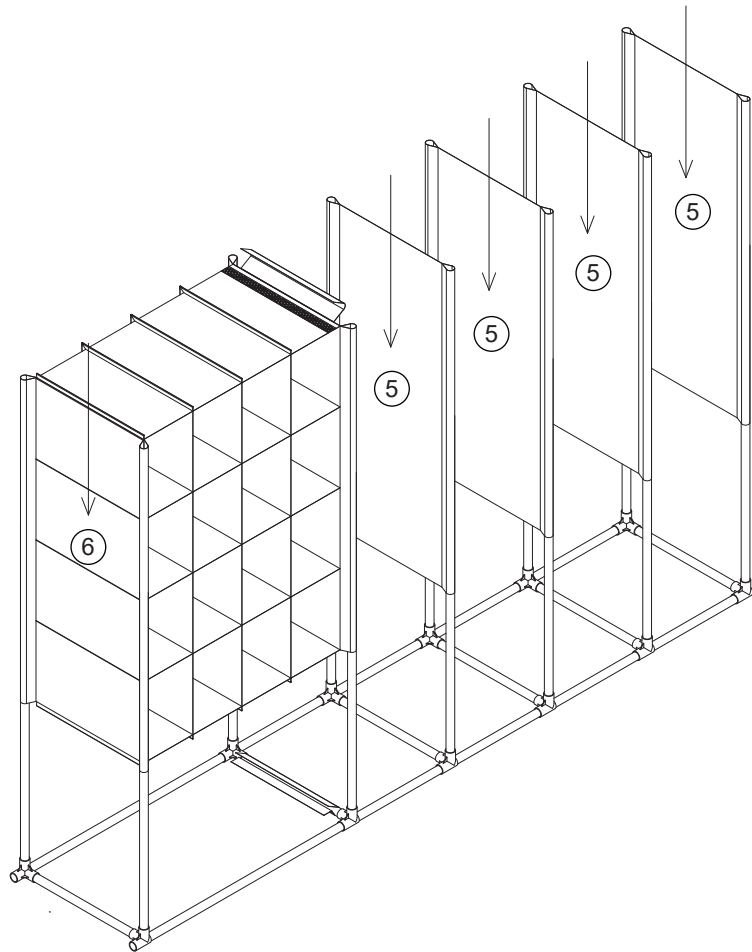
STEP 2



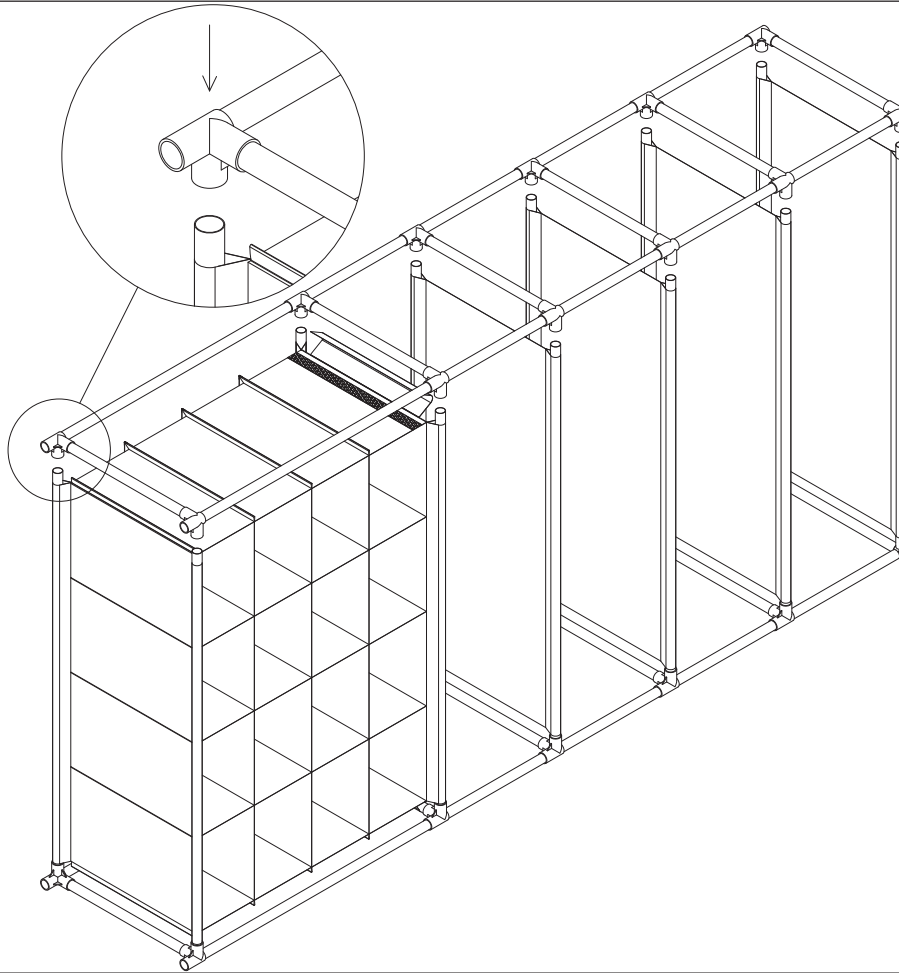
STEP 3



STEP 4



STEP 5



STEP 6

