

# Assembly Instructions

## 43267644 Grippy Extendable Shoe Rack

**ATTENTION:**




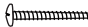

DO NOT TIGHTEN THE SCREWS UNTIL THE PRODUCT IS FULLY ASSEMBLED. FOR INDOOR USE ONLY.

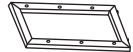
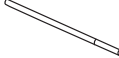
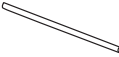
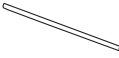
**WARNING:**

THIS PACKAGE CONTAINS SMALL PARTS, KEEP UNASSEMBLED PARTS AWAY FROM CHILDREN AND BABIES. ADULT ASSEMBLY REQUIRED. FAILURE TO FOLLOW THESE WARNINGS COULD RESULT IN SERIOUS INJURY.

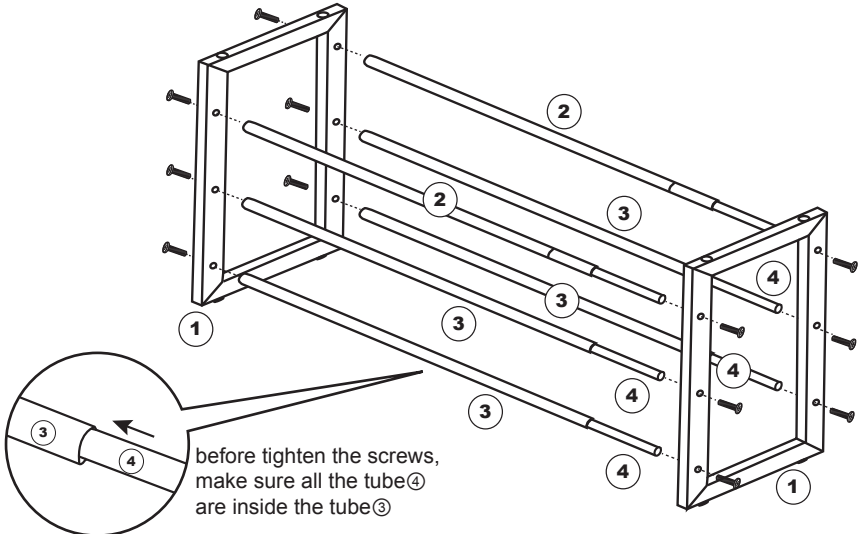
**MAXIMUM SAFE LOAD: 3KG PER TIER.**

### Hardware List

	A	M5x30mm	12PCS
	B	Strap	1PC
	C	Wall Plug	1PC
	D	M5x40mm	1PC
	E	Grip fastener	2PCS

	①	Bamboo Frame	2PCS
	②	Dia16x63cm	2PCS
	③	Dia16x63cm	4PCS
	④	Dia13x62cm	4PCS

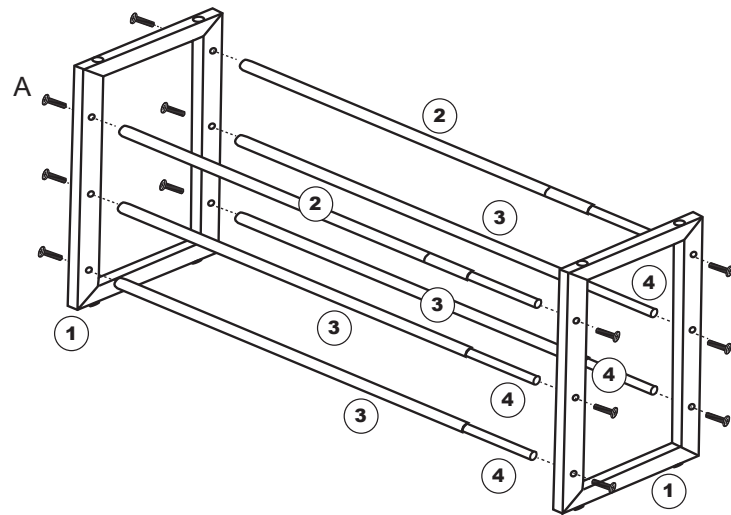
Remark: TUBE④ ARE PLACED INSIDE TUBE③.



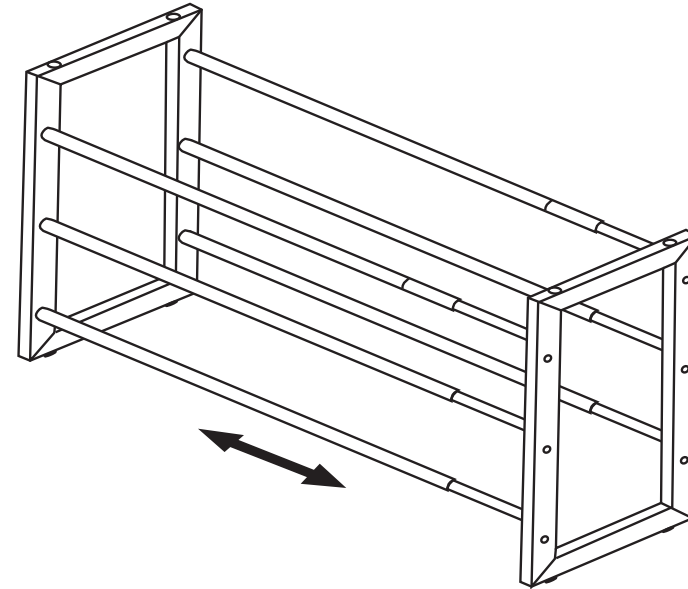
Pay attention that the holes on two sides of bamboo frame are in different position. Make sure holes are corresponding before assemble.

before tighten the screws, make sure all the tube④ are inside the tube③

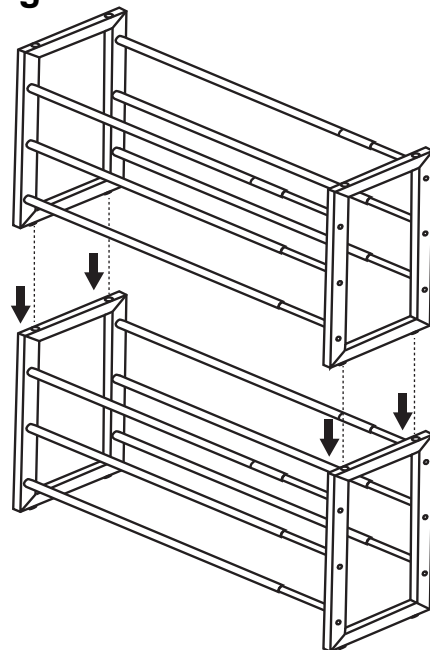
### STEP 1



### STEP 2



### Optional Stacking STEP 3



### STEP 4

