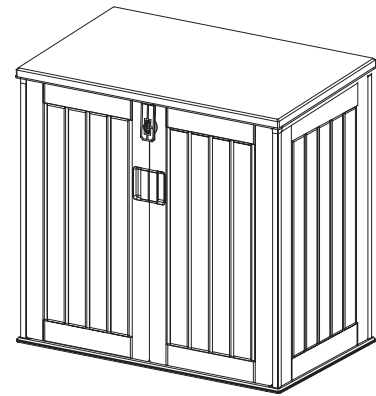


420X297MM

ASSEMBLY INSTRUCTION

43267705-755LITRE OUTDOOR STORAGE BOX

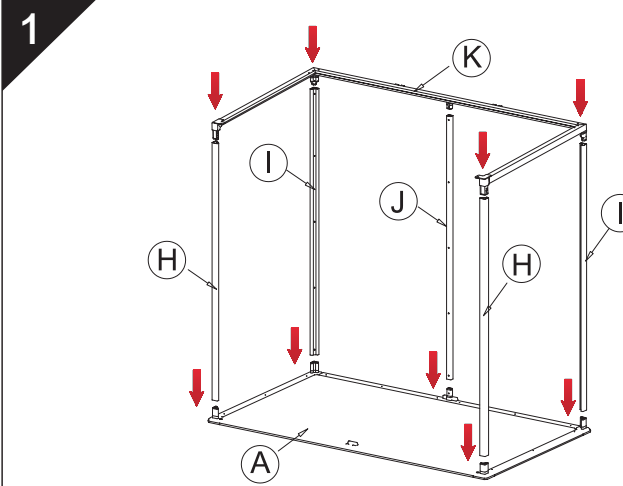


CARE INSTRUCTION:
 CHECK THE PRODUCT REGULARLY FOR DAMAGE AND DISPOSE OF IT IF NECESSARY.
 TRY OUT CLEANING AGENTS IN AN INCONSPICUOUS PLACE. ALWAYS REMOVE ANY DIRT IMMEDIATELY.

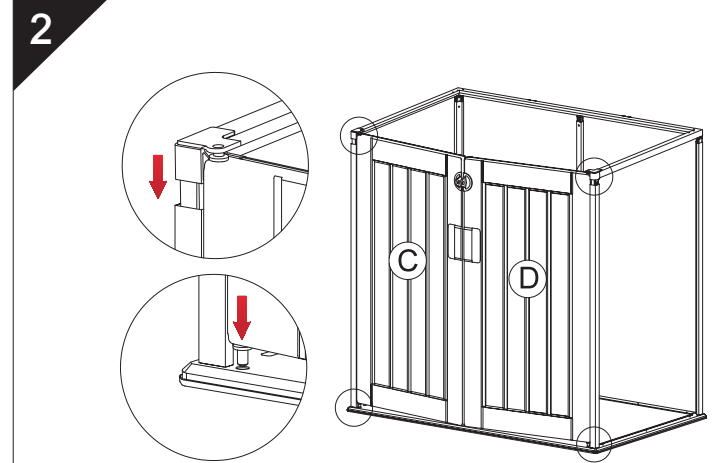
WARNING: DO NOT MOVE WHEN PRODUCTS ARE INSIDE. DO NOT STAND ON THE LID. DO NOT ALLOW CHILDREN TO STAY OR PLAY INSIDE THIS CONTAINER. DANGER OF ENTRAPMENT! DO NOT PLACE HOT OBJECTS SUCH AS POTS AND PANS ON PLASTIC FURNITURE. KEEP ALL SMALL PARTS FOR THIS PRODUCT AWAY FROM BABIES AND CHILDREN AS THEY POTENTIALLY POSE A SERIOUS CHOKING HAZARD. FAILURE TO FOLLOW THESE WARNINGS COULD RESULT IN SERIOUS INJURY.

MAXIMUM SAFE LOADING WEIGHT: 150KG.

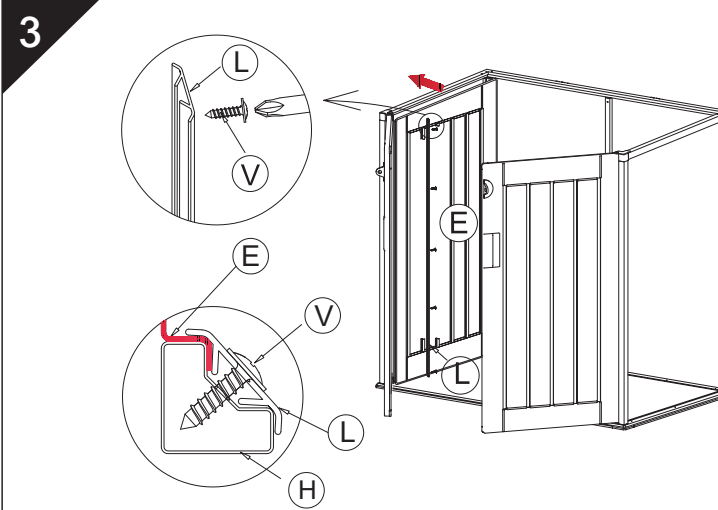
#	PARTS	QTY	#	PARTS	QTY	#	PARTS	QTY
A		1	H		2	P		1
B		1	I		2	Q		1
C		1	J		1	R		1
D		1	K		1	S		2
E		1	L		2	T		17
F		1	M		2	U		8
G		2	N		1	V		31
			O		2	W		6



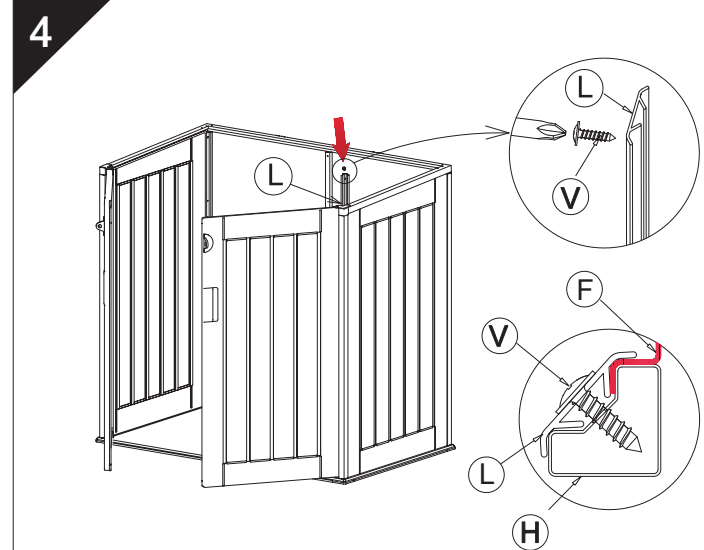
1. Place Part A onto a flat surface and build the frame



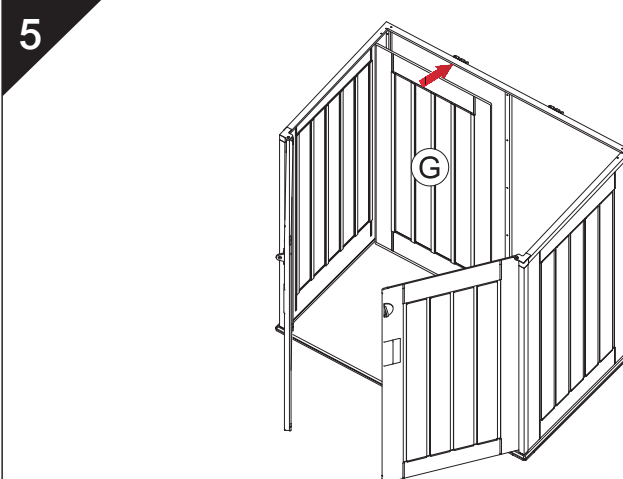
2. Place the door onto the built frame by lining up with the holes on the floor



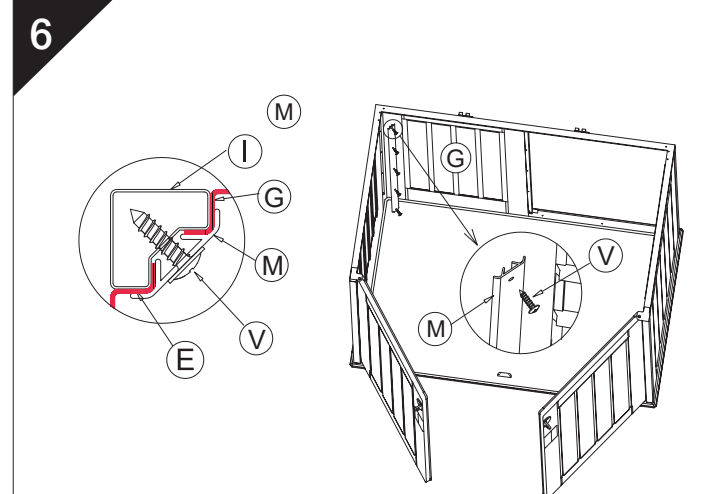
3. Screw into place



4. Screw into place



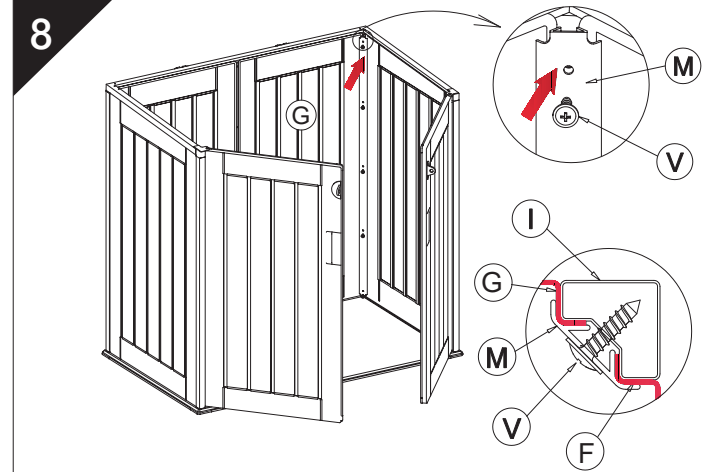
5. Place one side of the back board into the frame



6. Screw into place

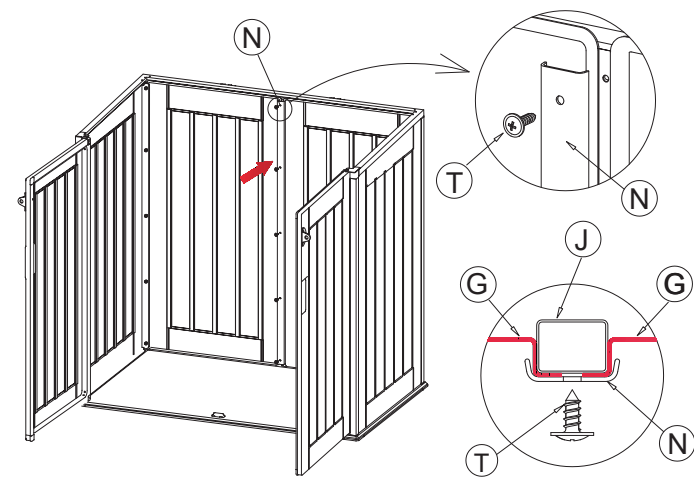


7. Place one side of the back board into the frame



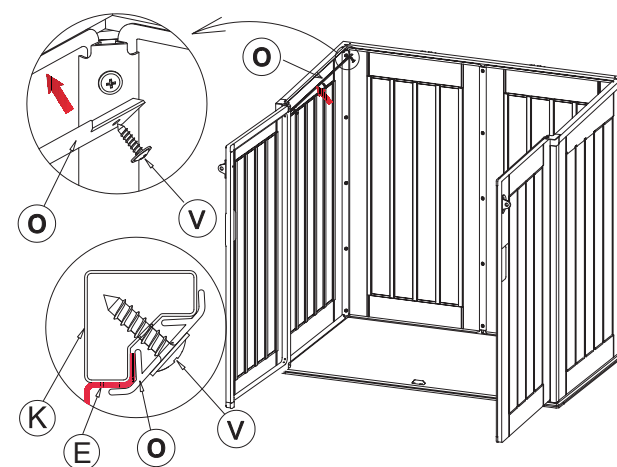
8. Screw into place

9



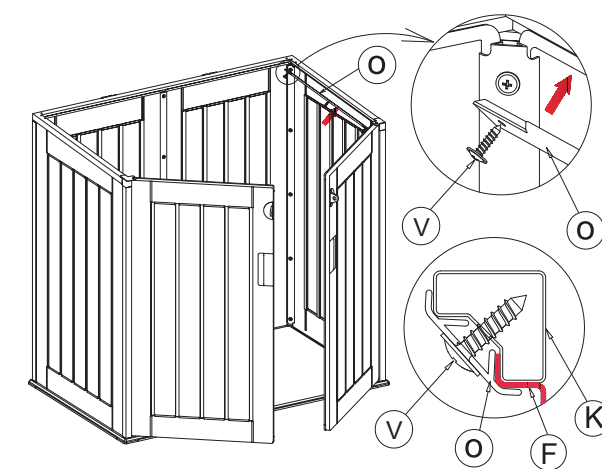
9. Attach part N to the middle of the frame between the two back boards and screw into place

10



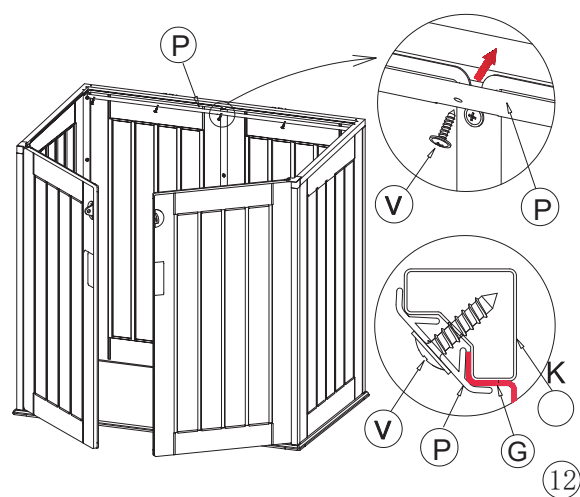
10. Place Part O onto the side at the top and screw into place

11



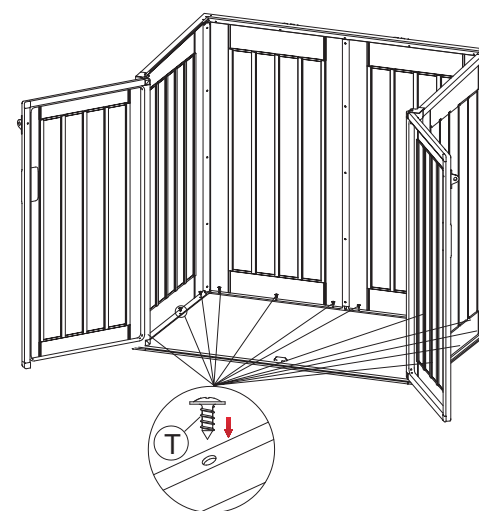
11. Repeat step 10

12



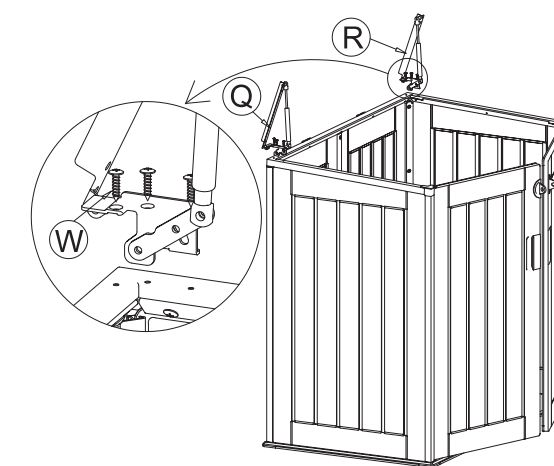
12. Place Part P on the top of the frame at the back and screw into place

13



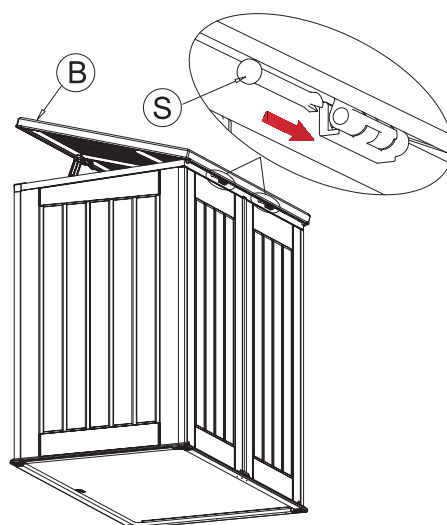
13. Screw the Frame into the base using screw T

14



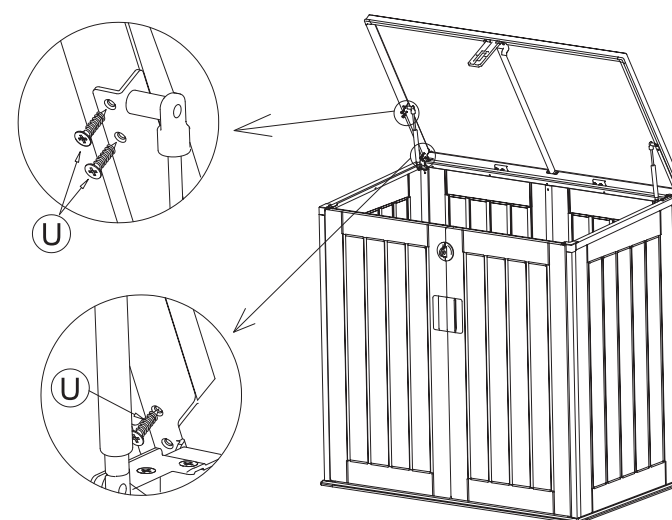
14. Attach hinges to the two back corners and screw into place

15



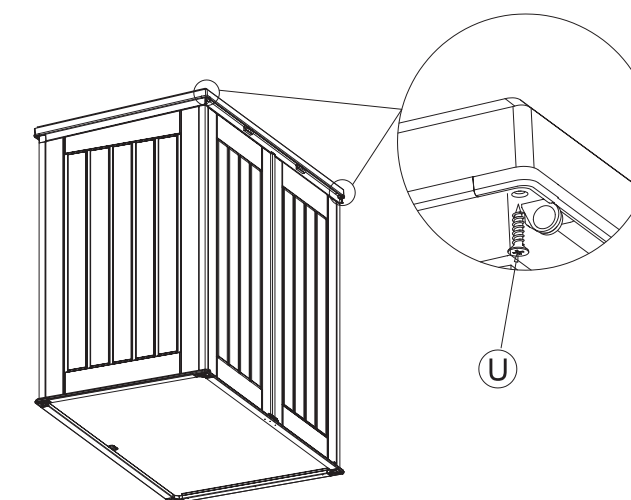
15. Attach the Lid to the hinges

16



16. Attach stabilizer arm to lid and screw into place

17



17. Screw Stabilizer Arm to Frame