

# Assembly Instructions

## 43268535 Air Hockey Table

### CARE INSTRUCTIONS:

TO BE ASSEMBLED ON A CLEAN, DRY AND SMOOTH SURFACE. WIPE CLEAN WITH A SOFT DAMP CLOTH. NEVER USE SCOURERS, ABRASIVES SCREWS OR CHEMICAL SOLVENTS. CHECK AND TIGHTEN ALL PARTS REGULARLY. KEEP AWAY FROM MOISTURE AND DIRECT SUNLIGHT. STORE IN A DRY PLACE. FOR INDOOR AND DOMESTIC USE ONLY. DO NOT PLACE HOT ITEMS SUCH AS COFFEE CUPS DIRECTLY ON THE SURFACE OF THIS ITEM.

### WARNING!

TO BE ASSEMBLED BY ADULT ONLY. NOT SUITABLE FOR CHILDREN UNDER 8 YEARS. SMALL PARTS, SMALL BALL. CHOKING HAZARD. DO NOT STAND, SIT OR LEAN ON THIS UNIT. DO NOT USE THIS UNIT AS A STEP LADDER OR AS A CHOPPING SURFACE. ENSURE THIS UNIT IS USED ONLY ON A FLAT SURFACE. DO NOT USE THIS UNIT UNLESS ALL BOLTS AND SCREWS ARE FIRMLY SECURED. THE EXTERNAL FLEXIBLE CORD OF GOODS CANNOT BE REPLACED BY CUSTOMER. IF THE CORD IS DAMAGED, SEEK PROFESSIONAL ADVICE. THE ADAPTOR SUPPLIED IS FOR USE WITH THIS GOODS ONLY. DO NOT PLUG IN THE GOODS INSIDE THE PACKING! ALWAYS UNPLUG EQUIPMENT AFTER EVERY USE.

ADAPTOR MODEL NO.: SD24K120200S INPUT: 100-240VAC,50/60Hz


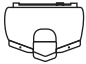










OUTPUT: 12VDC 2000mA FAN WATTAGE: 1 X 7.2W

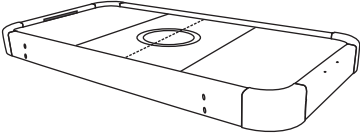
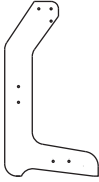
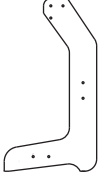
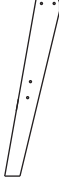
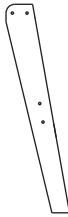

FAILURE TO FOLLOW THESE WARNINGS COULD RESULT IN SERIOUS INJURY.

### MADE IN CHINA

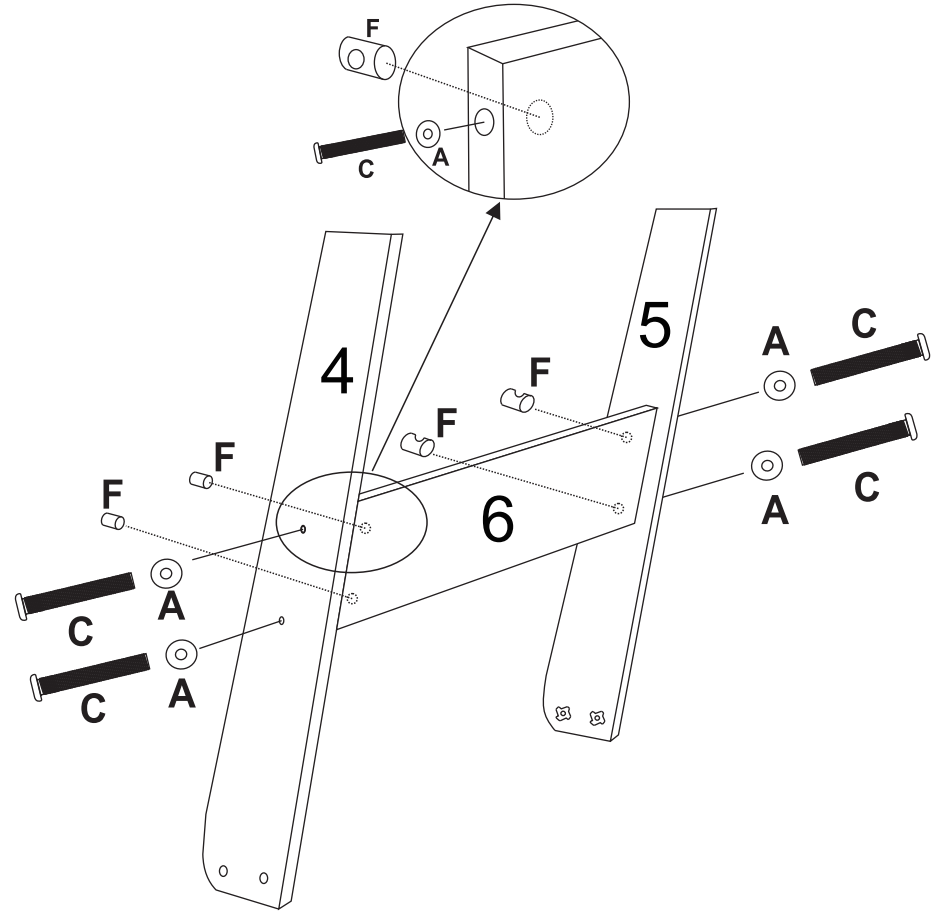
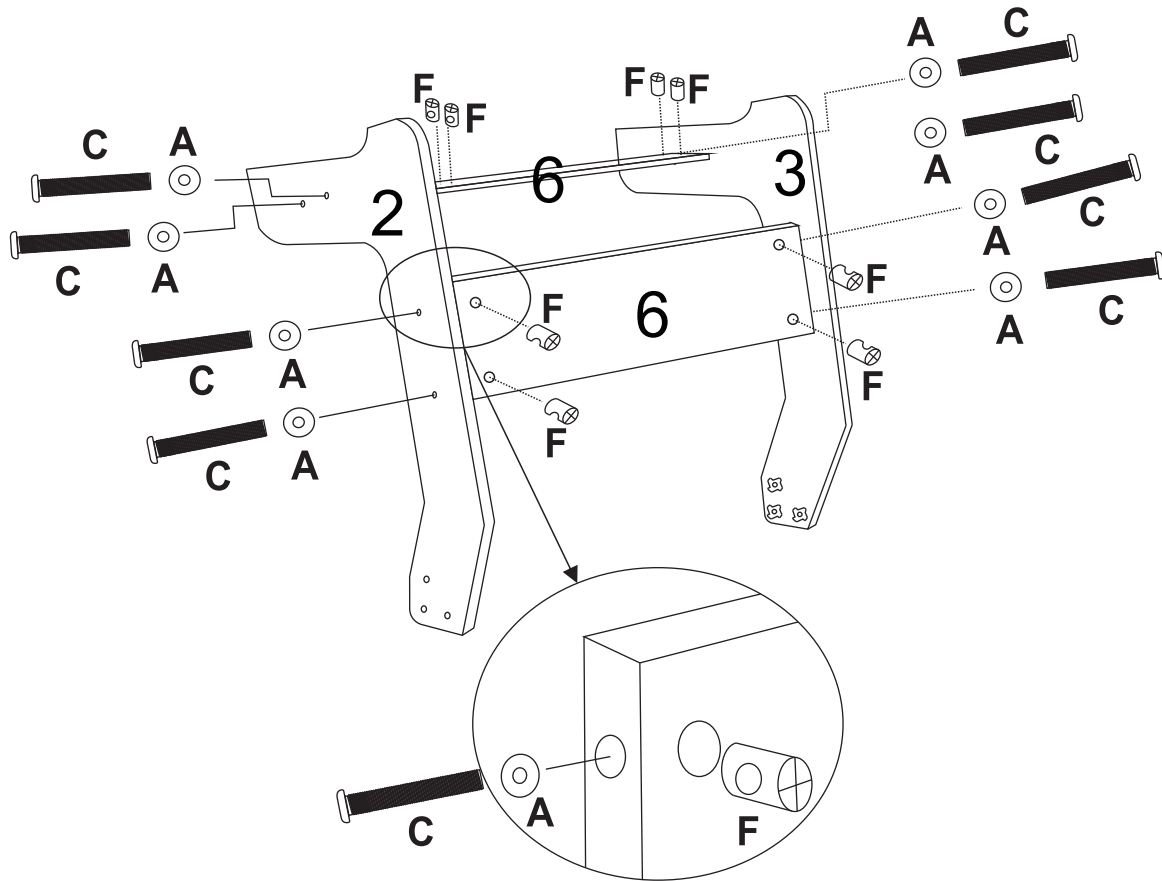
FOR AU / NZ: IMPORTED FOR KMART  
STORES IN AUSTRALIA AND NEW ZEALAND.

### Hardware List

	<b>A</b>	∅6	20pcs		<b>H</b>	Scorers	2set
	<b>B</b>	∅6x30mm	4pcs				
	<b>C</b>	∅6x40mm	12pcs		<b>I</b>	Strikers	2pcs
	<b>D</b>	6x45mm	4pcs		<b>J</b>	Pucks	2pcs
	<b>E</b>	M3x12mm	8pcs		<b>K</b>		2pcs
	<b>F</b>	M6	12pcs		<b>L</b>	Adaptor	1pc
	<b>G</b>	hex key	1pc				

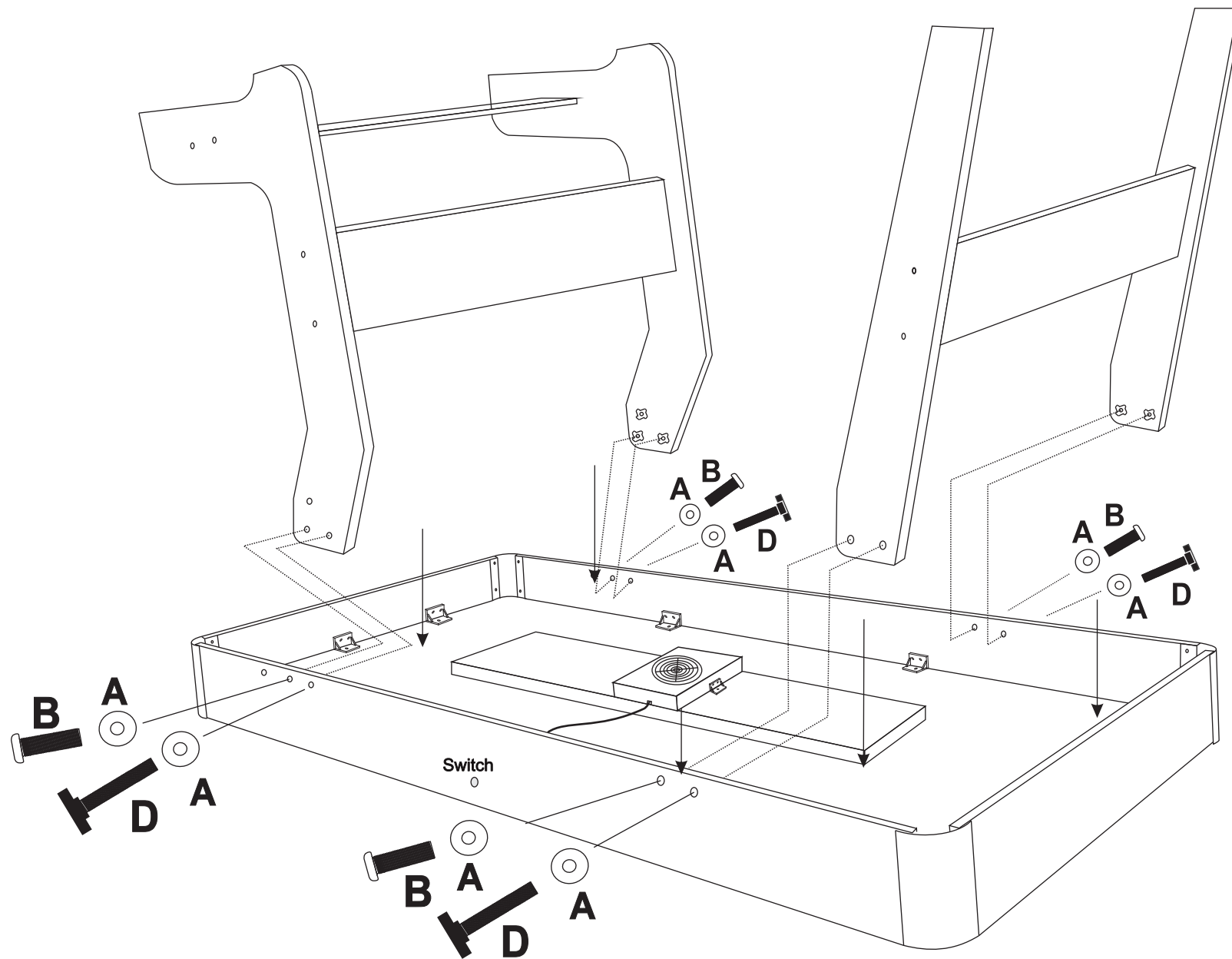
<b>1</b>	<b>1pc</b>	<b>2</b>	<b>1pc</b>
			
<b>3</b>	<b>1pc</b>	<b>4</b>	<b>1pc</b>
			
<b>5</b>	<b>1pc</b>	<b>6</b>	<b>3pcs</b>
			

# Step 1:



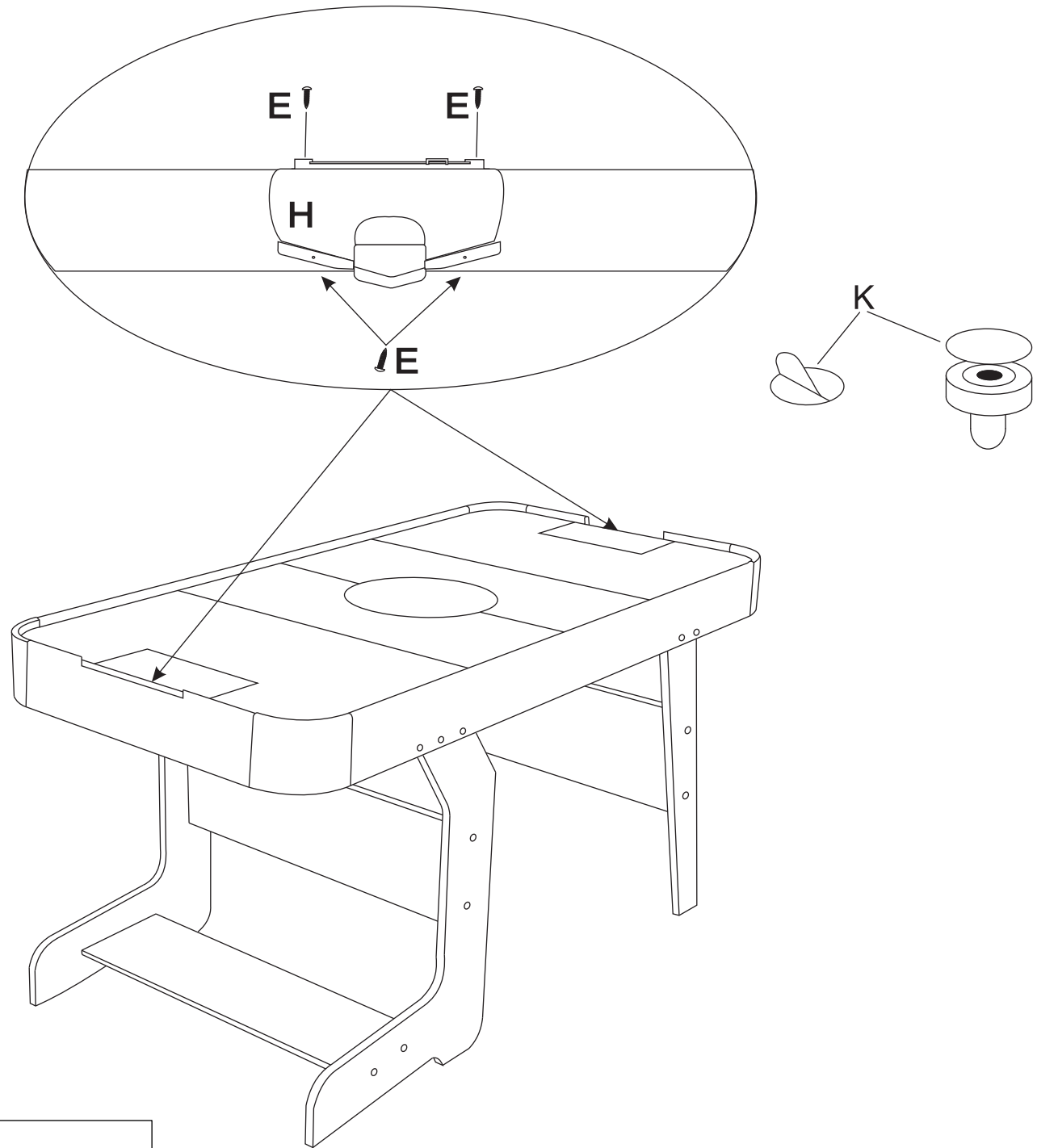
ALL STEPS REQUIRE ASSEMBLY TOOLS

# Step 2:



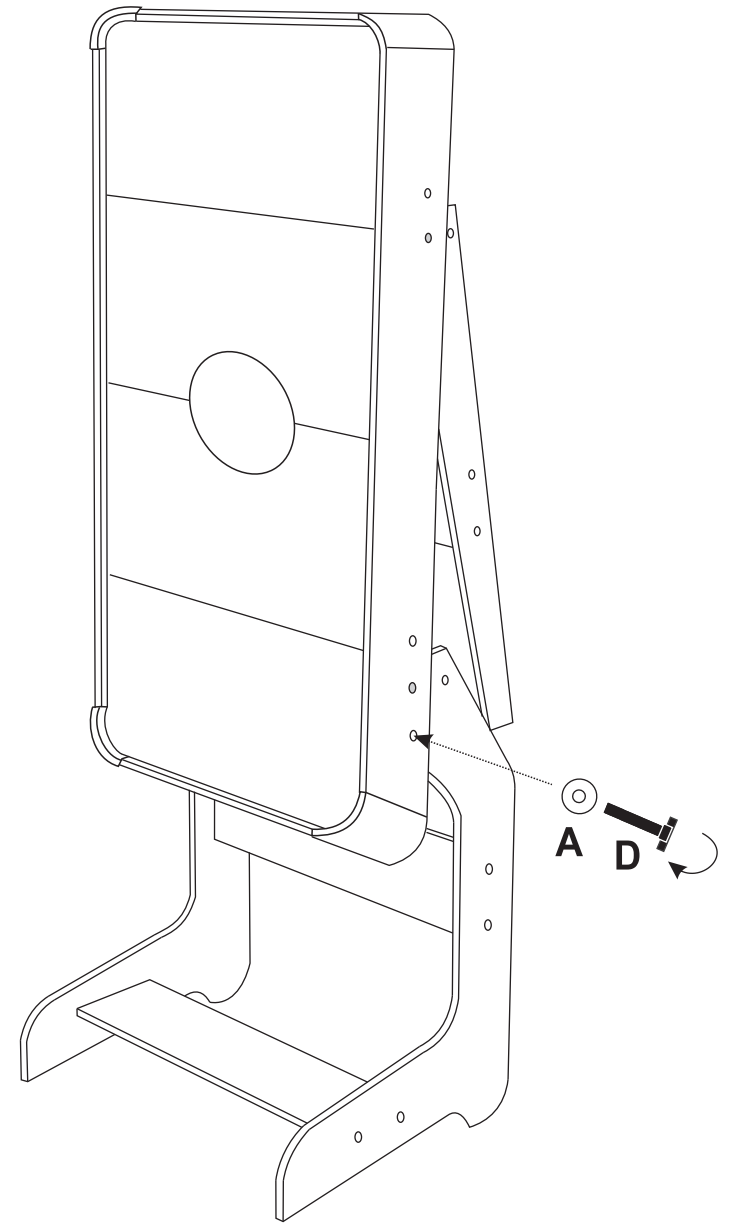
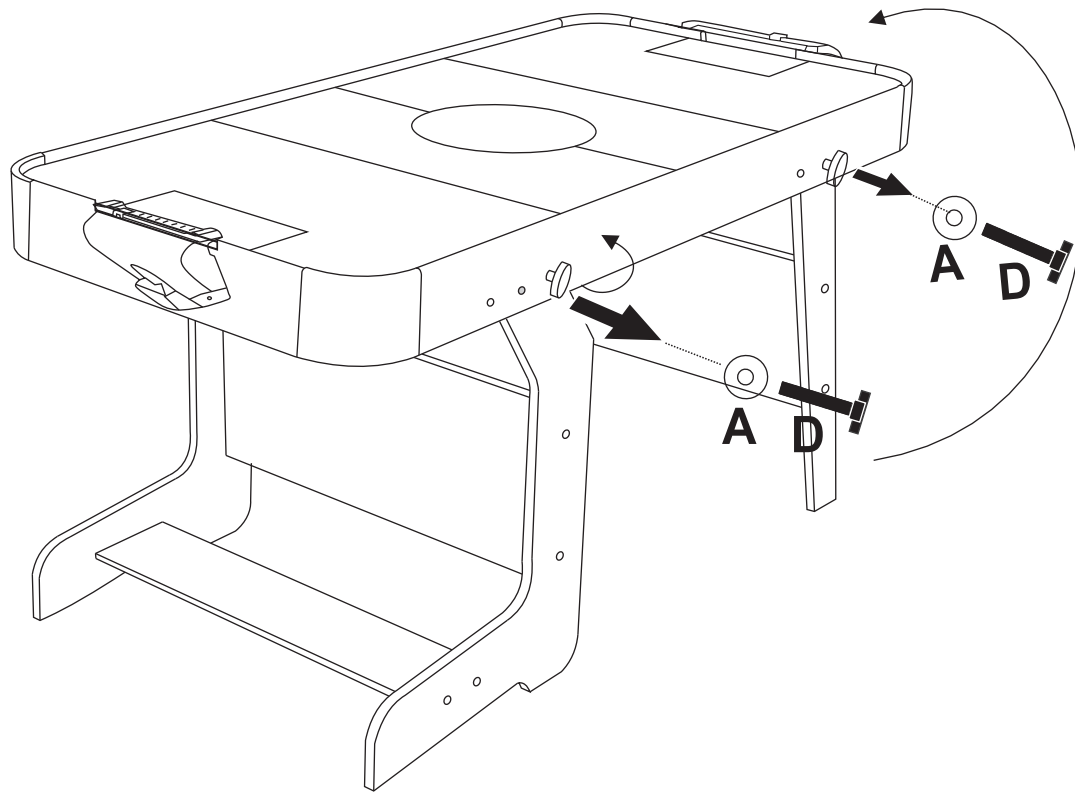
ALL STEPS REQUIRE ASSEMBLY TOOLS

Step 3:



ALL STEPS REQUIRE ASSEMBLY TOOLS

Step 4:



ALL STEPS REQUIRE ASSEMBLY TOOLS

**WARNING: THE AIR HOCKEY TABLE SHOULD BE FOLDED AND STORED AGAINST A SOLID WALL WHEN NOT IN USE. DO NOT LET CHILDREN PLAY AROUND THE FOLDED AIR HOCKEY TABLE.**