

Assembly Instructions

**IMPORTANT! KEEP FOR FUTURE REFERENCE.
43269006 SPORTS STORAGE COLLAPSIBLE**

WARNING:

MAXIMUM SAFE LOAD: 10KG PER STORAGE POCKET. ONLY USE ON EVEN SURFACE. BEFORE USE, PLEASE CHECK WHETHER THE WHEELS ARE TIGHTENED. IF NOT, THEY NEED TO BE TIGHTENED BEFORE USE. IF THE WHEELS BECOME LOOSE AFTER A PERIOD OF USE, PLEASE TIGHTEN THEM BEFORE USING THEM. DO NOT USE ACCESSORIES OR REPLACEMENT PARTS OTHER THAN THOSE APPROVED BY THE MANUFACTURER. DO NOT USE THE PRODUCT IF ANY COMPONENTS ARE BROKEN OR MISSING.

CARE INSTRUCTIONS:

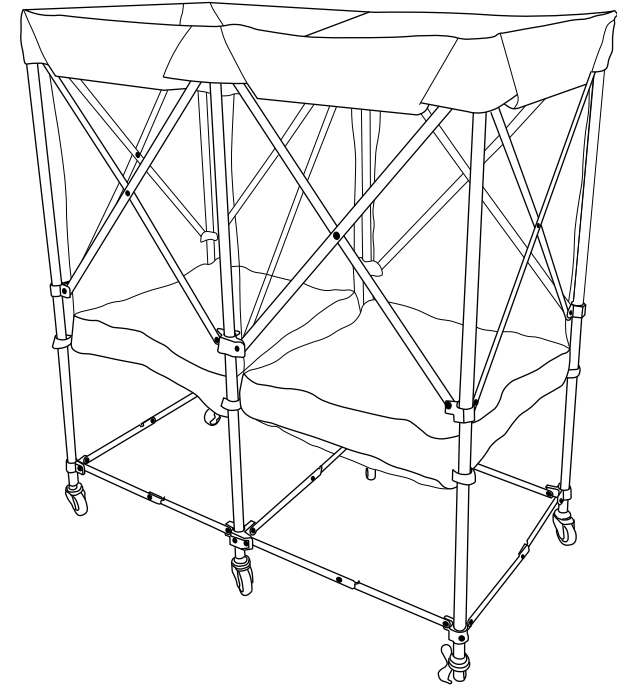
WIPE CLEAN WITH A DAMP CLOTH. DO NOT USE ABRASIVE MATERIALS OR SOLVENTS. ENSURE THIS PRODUCT IS CLEAN AND 100% DRY BEFORE STORING TO PREVENT MOULD AND MILDEW. STORE IN A DRY PLACE.

MATERIAL:

STEEL & POLYESTER

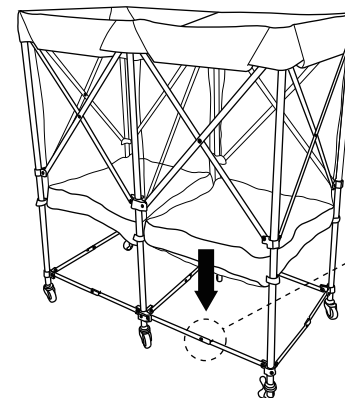
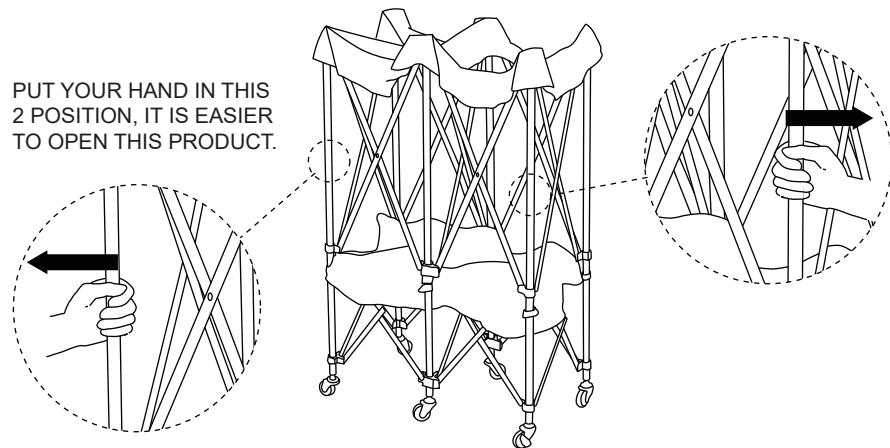
MADE IN CHINA

FOR AU / NZ : IMPORTED FOR KMART
STORES IN AUSTRALIA AND NEW ZEALAND.

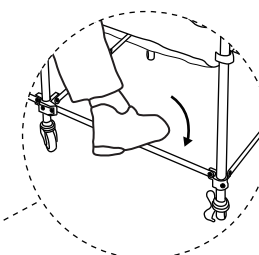


HOW TO OPEN THE STORAGE

PUT YOUR HAND IN THIS 2 POSITION, IT IS EASIER TO OPEN THIS PRODUCT.

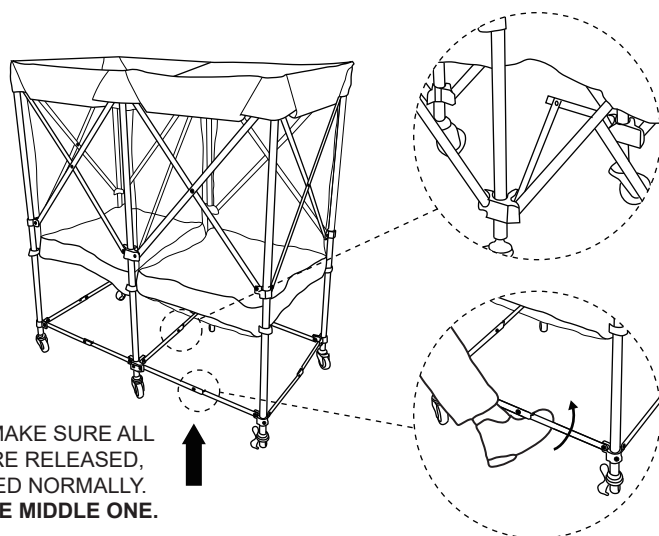


AFTER OPENING, MAKE SURE ALL THE 7 FOLDING IRON BARS ARE LOCKED, THEN CAN BE USED NORMALLY.



HOW TO FOLD THE STORAGE

BEFORE FOLDING, MAKE SURE ALL THE 7 IRON BARS ARE RELEASED, THEN CAN BE FOLDED NORMALLY. DO NOT FORGET THE MIDDLE ONE.



PUT YOUR HAND IN THIS 2 POSITION, IT IS EASIER TO FOLD THIS PRODUCT.

