







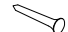



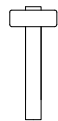


1

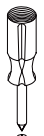
Hardware List

	A	M6x35mm	20pcs
	B	Ø15x9.5mm	20pcs
	C	Ø6x30mm	16pcs
	D	M4x35mm	4pcs
	E	M4x20mm	4pcs
	F		4pcs
	G		1pc
	H	M4x20mm	2pcs

	I	M2x16mm	6pcs
	J	M3.5x12mm	8pcs
	K		1pc
	L		4pcs

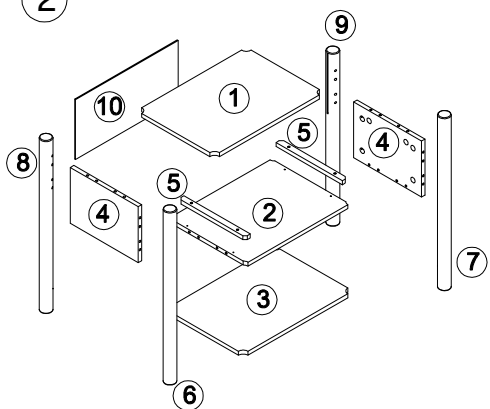


Tool required
(Not Provided)

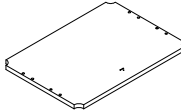
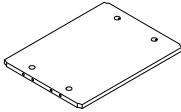
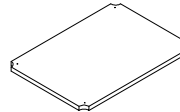
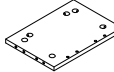

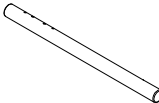
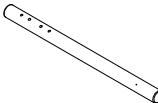
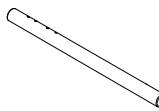
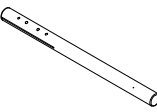
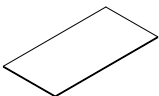
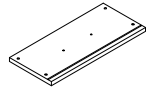
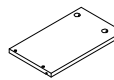
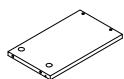
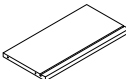
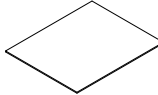


Tool required
Phillips Head Screw Driver
(Not Provided)




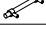

2

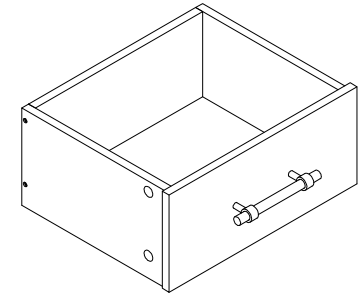
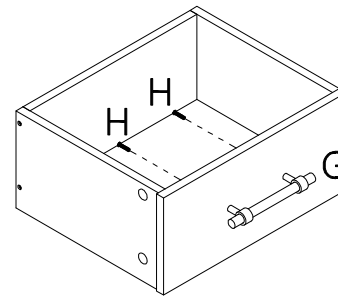
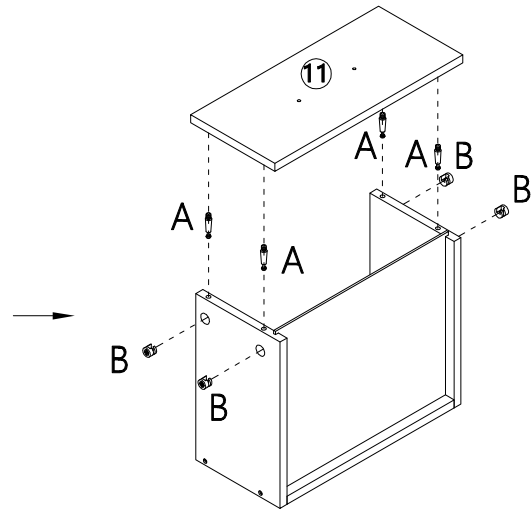
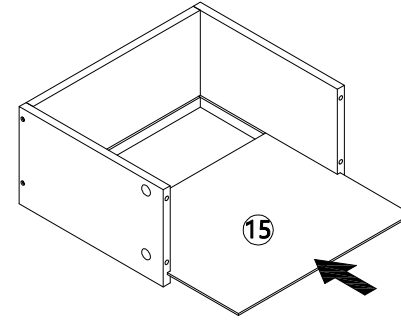
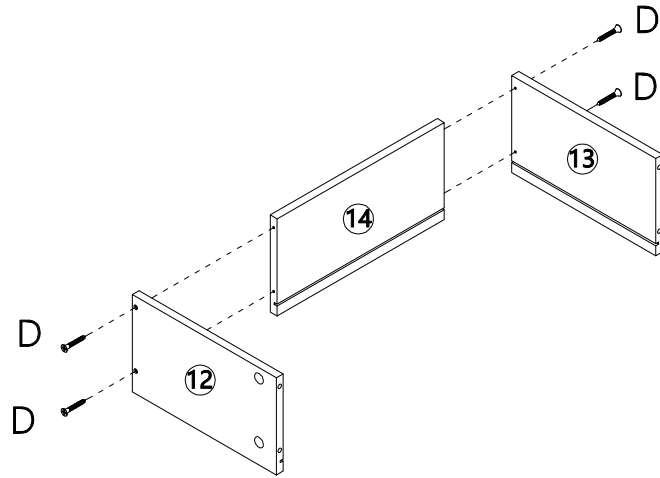


3

			
① 1PC	② 1PC	③ 1PC	④ 2PCS
			
⑤ 2PCS	⑥ 1PC	⑦ 1PC	⑧ 1PC
			
⑨ 1PC	⑩ 1PC	⑪ 1PC	⑫ 1PC
			
⑬ 1PC	⑭ 1PC	⑮ 1PC	

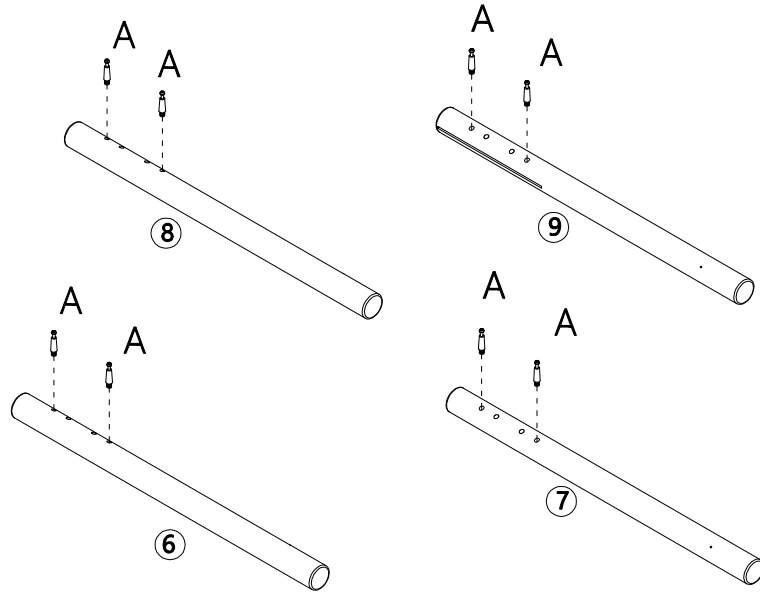
STEP 1:

	A x 4
	B x 4
	D x 4
	G x 1
	H x 2



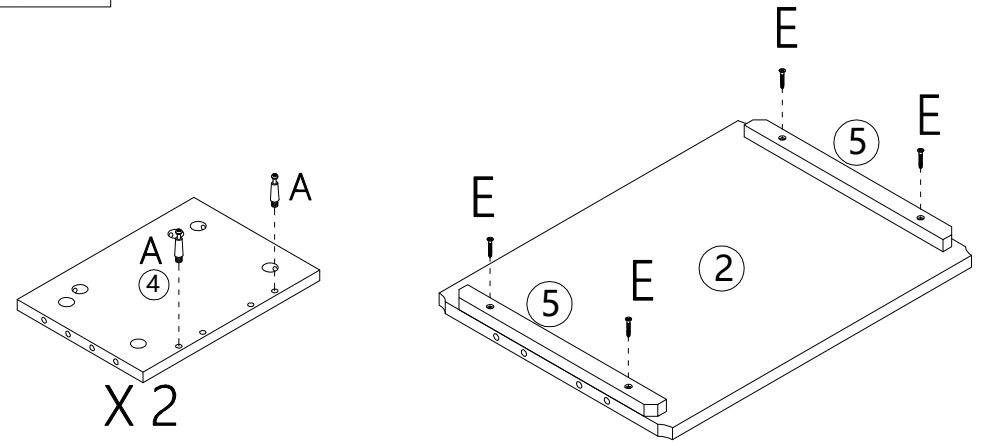
STEP 2:

A x 8



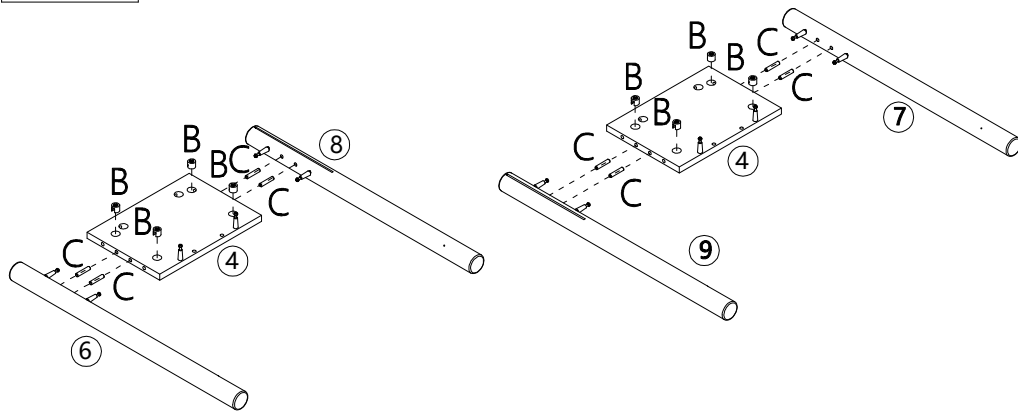
STEP 3:

A x 4
E x 4



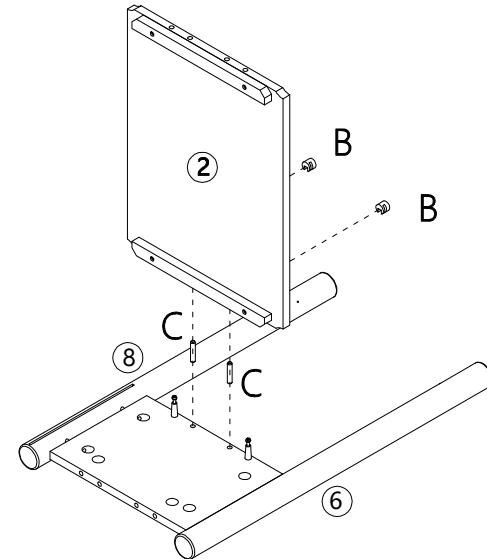
STEP 4:

B x 8
C x 8

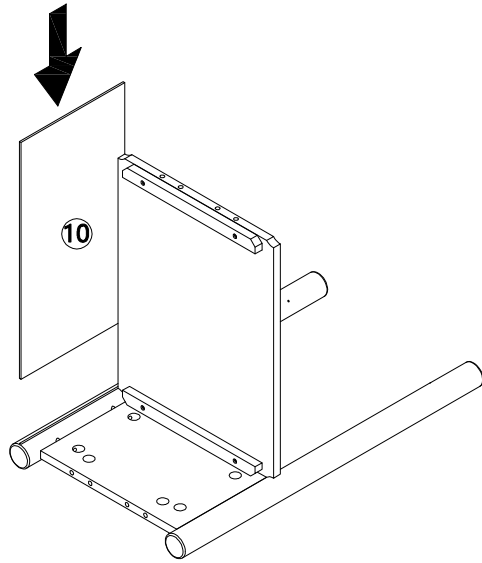


STEP 5:

B x 2
C x 2

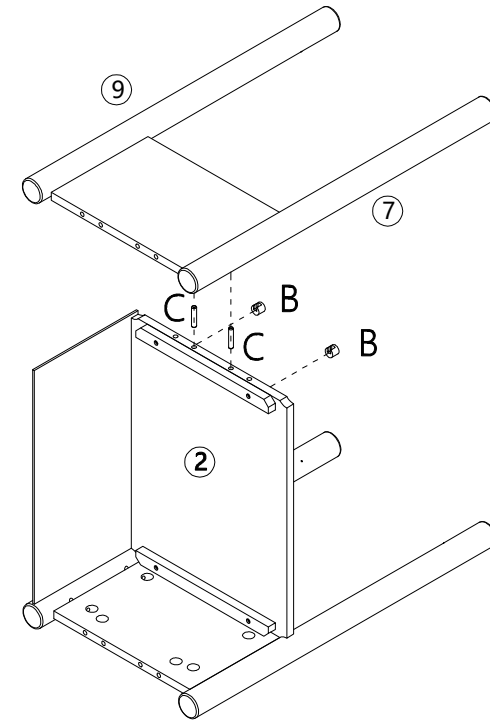


STEP 6:



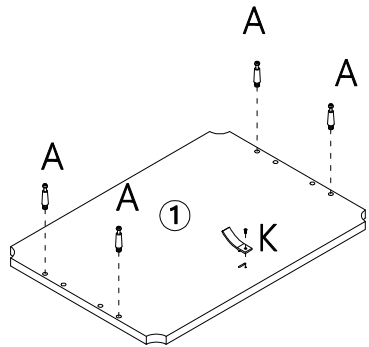
STEP 7:

- B x 2
- C x 2



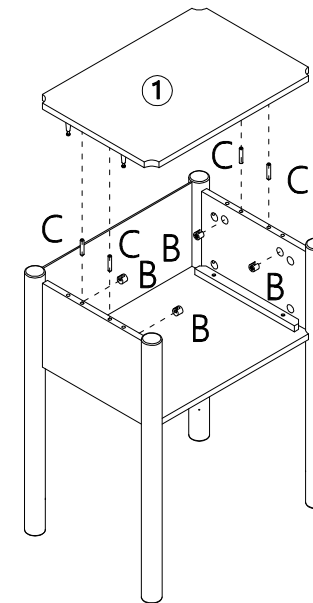
STEP 8:

- A x 4
- F x 4
- J x 4
- K x 1



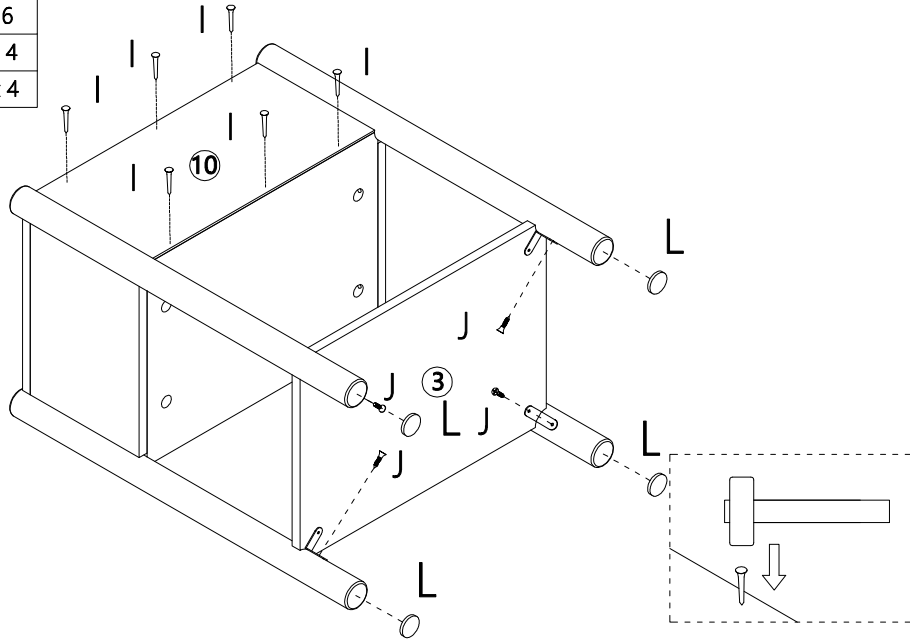
STEP 9:

- B x 4
- C x 4



STEP 10:

- I x 6
- J x 4
- L x 4



STEP 11:

