

# **anko**

## **Mini Grill Maker FS-315-G User Manual**



**PLEASE READ AND SAVE THESE  
INSTRUCTIONS FOR FUTURE REFERENCE**

## IMPORTANT SAFEGUARDS


When using any electrical product, always follow these basic safety precautions:



### **READ ALL INSTRUCTIONS BEFORE USE.**

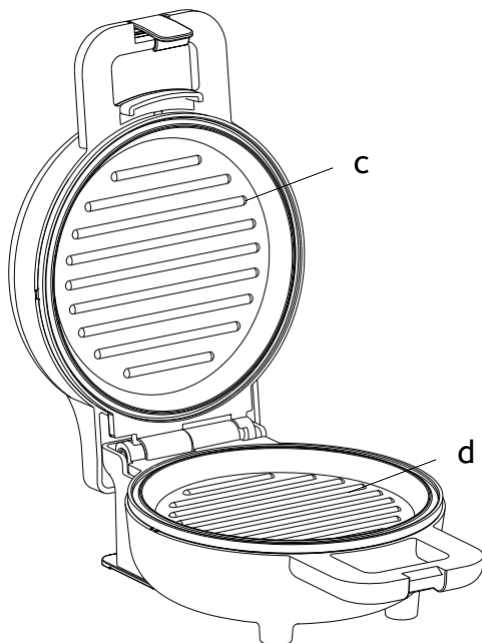
Read and understand all instructions before using this product and follow all warnings and cautions in the manual.

- To protect against risk of electrical hazards, do not immerse the appliance, power cord or plug in water or any other liquid.
- For electrical safety, if the supply cord is damaged, it must be replaced by a qualified electrician only or the product must be disposed of.
- Place the cord in such a way that pulling or tripping over it is not possible.
- Always place and operate the appliance on a flat, solid, clean, dry and heat-resistant surface.
- The power socket must be readily accessible so that the appliance can be unplugged in an emergency.
- This appliance is intended to be used indoors in household and similar applications such as: staff kitchen areas in shops, offices and other working environments, farmhouses, by clients in hotels, motels and other residential type environments, bed and breakfast type environments.
- The appliance is intended for household use only. Do not use outdoors or for commercial purpose. Any other use will void the warranty.
- This appliance is not intended for use by persons (including children) with reduced physical, sensory or mental capabilities, or lack of experience and knowledge, unless they have been given supervision or instructions concerning use of the appliance by a person responsible for their safety.
- Children should be supervised to ensure that they do not play with the appliance.
- Always unplug from the mains supply when not in use and allow the appliance to cool down before cleaning.
- Do not operate the appliance if damaged or malfunctions.
- Do not touch hot surfaces. Only use the handle.
- Do not place on or near a hot gas or electric burner, or in a heated oven.
- Do not use an extension cord with this appliance.
- Do not dismantle and repair the appliance by yourself. **DANGER OF AN ELECTRIC SHOCK AND/OR FIRE!**
- Do not allow this appliance to touch curtains, wall coverings, clothing, dish towels or other flammable materials during use.
- **IMPORTANT! Do not leave the appliance unattended when in use or when connected to mains power.**
- Do not operate your appliance inside cabinet or under a wall cabinet. When storing in a cabinet, always unplug the unit from mains power.
- The temperature of accessible surfaces may be high when the appliance is operating.
- This appliance is not intended to be operated by means of an external timer or separate remote-control system.

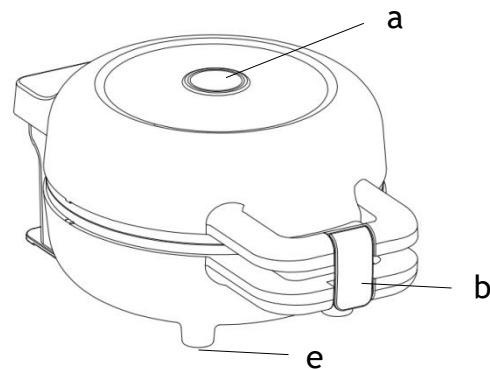
- Use only heat-proof synthetic or wooden utensils when cooking or take foods, this is to prevent damage to the non-stick coating on the heating plates. Make sure that the utensils are not pointed or have sharp edges.
-  **Caution, hot surface. Care must be taken. The surfaces will get hot during and immediately after use.**
- For cleaning cooking surface, please refer to section “Cleaning and Maintenance”.

**SAVE THESE INSTRUCTIONS  
FOR HOUSEHOLD USE ONLY**

## KNOW YOUR MINI GRILL MAKER



- a. Red heating light
- b. Locking clip
- c. Top baking plate
- d. Bottom baking plate
- e. Rubber feet



### BEFORE FIRST USE

**IMPORTANT!** Always place and operate the appliance on a flat, solid, clean, dry and heat-resistant surface.

**IMPORATNT!** Place the appliance on a heat resistant surface only. Some kitchen bench top surfaces are sensitive to heat and may be damaged due to heat. Placing the appliance on a heat resistant mat is recommended.

- Unpack the appliance and check if all parts are there and undamaged. In case of shipping damage or incomplete package, return the product to Kmart.
- Clean the inside and outside of the appliance with a damp cloth or sponge. Wipe dry with a soft dry cloth.
- **WARNING! Do not immerse the appliance in water or any other liquid to clean.**
- Place the appliance on a flat, heat resistant stable surface and ensure a minimum of 10cm free space around the appliance. Do not operate your appliance inside a cabinet or directly under a wall cabinet.
- Plug the appliance into an electrical power outlet.
- Note: Make sure the voltage indicated on the appliance matches the local voltage before connecting the appliance to mains power. Rated voltage: 220-240V~ 50-60Hz.
- Allow the appliance to heat up for approximately 5 minutes. Apply a thin coating of cooking oil to the cooking plates and carefully rub it in with a paper towel. You only need to condition the cooking plates when using your waffle maker for the first time.

- **WARNING! The cooking plates will get very hot.**
- NOTE: On first use there may be a small amount of haze / smoke and an odour emitted from the appliance. This is perfectly normal and will subside after few minutes of use.
- Unplug the appliance and now it is ready for use.

## HOW TO USE YOUR MINI GRILL MAKER

1. Before using the appliance, clean the baking surfaces with a damp cloth. Dry it with paper towel.
2. Close the appliance and plug it into a mains power outlet socket. The red heating light will light up, indicating that the mini grill maker is connected to the mains power and begins heating.
3. It will take approximately 3 minutes to reach the recommended baking temperature. The red heating light will go OFF when the mini grill maker is ready for use.
4. Open the appliance and brush the baking plates with a small amount of vegetable oil if necessary.
5. Put the food to be grilled on the bottom baking plate.
6. Close the appliance. The red heating light will light up when another baking cycle begins.
7. After grilling, open the appliance and remove foods from the baking plate with a heat-proof synthetic or wooden utensil.
8. If additional baking is required, close the mini grill maker to retain heat. Wait until the red heating light goes OFF again before cooking.
9. After using the mini grill maker, disconnect the power plug from the mains power outlet socket.

### NOTE:

Gently close the lid and ensure to lock the appliance with a click sound. Do not slam the lid down. Do not open the appliance during the first 2 minutes after filling in the batter. It will cause splitting of the under-baked food and make it difficult to remove.

### WARNING!

1. Never use sharp forks or knives to remove the food as this would damage the non-stick coating on the baking surface. Use only heat-resistant plastic or wood utensils only.
2. Always unplug the appliance from the power outlet socket when not in use.

## CLEANING AND MAINTENANCE

This appliance should be cleaned after each use.

### CAUTION: Do not immerse the mini grill maker in water or in a dishwasher!

- Always unplug your mini grill maker from the mains power supply before cleaning or during maintenance.
- Ensure that your mini grill maker has completely cooled down before cleaning, as it gets very hot during use.
- Clean the baking plates and outside of the appliance with a damp cloth or soft brush. Do not use anything abrasive that can scratch or damage the appliance.

## STORAGE

1. Unplug the mini grill maker from mains power.
2. Allow the appliance to cool down completely.
3. Clean and dry the appliance.

**WARNING! Do not wrap the power cord around the appliance.**

4. Store the appliance in a clean dry location and out of the reach of children.

## TECHNICAL SPECIFICATIONS

Voltage: 220-240V~ 50-60Hz

Power: 500-600W

## RECIPE

### Grilled Pineapple

1 pineapple  
Pinch of sugar  
Honey

Directions:

Pre-heat your mini grill for 3 minutes. Cut the pineapple into 1.4mm thickness slice. Place the slice on the baking plate, brush the pineapple slice with honey, strew sugars, cook 5~6 minutes.

### Grilled egg

1 egg  
Butter

Directions:

Pre-heat your mini grill for 3 minutes.  
Butter the grill, put in the egg, cook 5~6 minutes.

### Grilled Cheese Sandwich

2 slice bread, buttered  
1 egg, grilled  
2 tbsp. cottage cheese  
Pinch of freshly ground pepper

Directions:

Pre-heat your mini grill for 3 minutes.

Put the ingredient in the mini grill, cook 3~5 minutes.

### **Pizza**

1/4cup pizza dough, brushed with olive oil

1/4 cup toppings (spinach, pesto, sauce, mozzarella, parmesan cheese)

Pre-heat your mini grill for 3 minutes.

Put the ingredient in the mini grill and cook 7-10 minutes.

### **Veggie burger**

1 veggie burger, defrosted

2 tbsp chipotle mayonnaise

Serve on lettuce and tomato slice

Pre-heat your mini grill for 3 minutes.

Put the ingredient in the mini grill, cook 3~5 minutes.

### **Beef burger**

1 beef burger, defrosted

2 tbsp chipotle mayonnaise

Serve on lettuce and tomato slice

Pre-heat your mini grill for 3 minutes.

Put the ingredient in the mini grill, cook 3~5 minutes.

### **Quesadilla**

2 tortillas (corn or flour)

1/4 cup grated cheese

1 tbsp salsa

Pre-heat your mini grill for 3 minutes.

Put the ingredient in the mini grill, cook 5~7 minutes.

## **12 Month Warranty**

Thank you for your purchase from Kmart.

Kmart Australia Ltd warrants your new product to be free from defects in materials and workmanship for the period stated above, from the date of purchase, provided that the product is used in accordance with accompanying recommendations or instructions where provided. This warranty is in addition to your rights under the Australian Consumer Law.

Kmart will provide you with your choice of a refund, repair or exchange (where possible) for this product if it becomes defective within the warranty period. Kmart will bear the reasonable expense of claiming the warranty. This warranty will no longer apply where the defect is a result of alteration, accident, misuse, abuse or neglect.

Please retain your receipt as proof of purchase and contact our Customer Service Centre on 1800 124 125 (Australia) or 0800 945 995 (New Zealand) or alternatively, via Customer Help at [Kmart.com.au](http://Kmart.com.au) for any difficulties with your product. Warranty claims and claims for expense incurred in returning this product can be addressed to our Customer Service Centre at 690 Springvale Rd, Mulgrave Vic 3170.

Our goods come with guarantees that cannot be excluded under the Australian Consumer Law. You are entitled to a replacement or refund for a major failure and compensation for any other reasonably foreseeable loss or damage. You are also entitled to have the goods repaired or replaced if the goods fail to be of acceptable quality and the failure does not amount to a major failure.

For New Zealand customers, this warranty is in addition to statutory rights observed under New Zealand legislation.