

Assembly Instructions







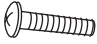



43278275 SIDE EXTEND GARMENT RACK WITH TWO SHELVES

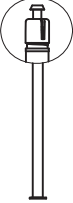






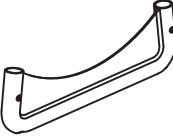
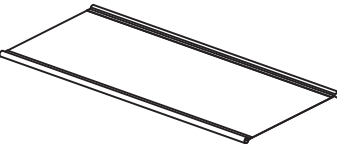
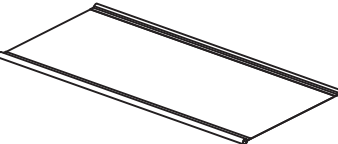
CARE INSTRUCTIONS:

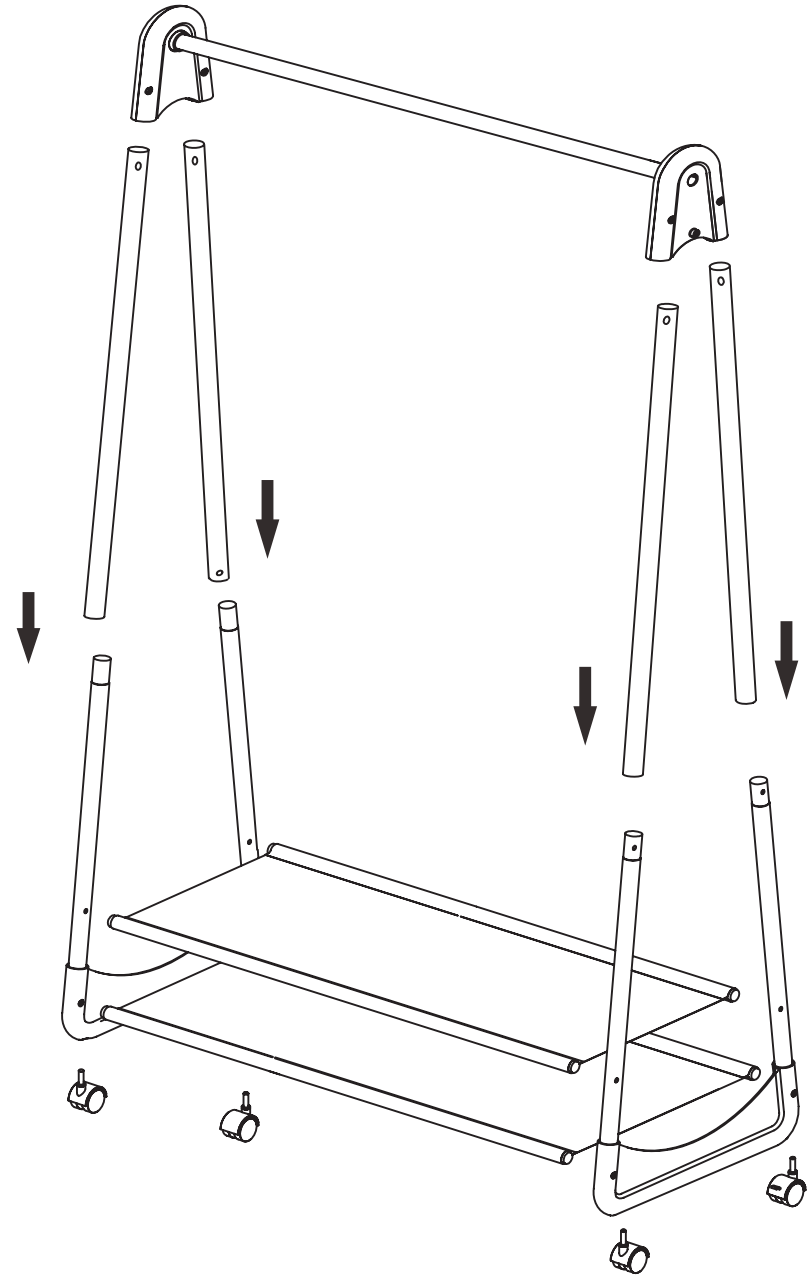
WIPE CLEAN WITH A SOFT DRY OR DAMP CLOTH.

MAXIMUM SAFE LOAD: 3KGS FOR EACH SHELF , 5KGS FOR THE HANGING BAR , 3KGS FOR EACH EXTENDABLE BAR.

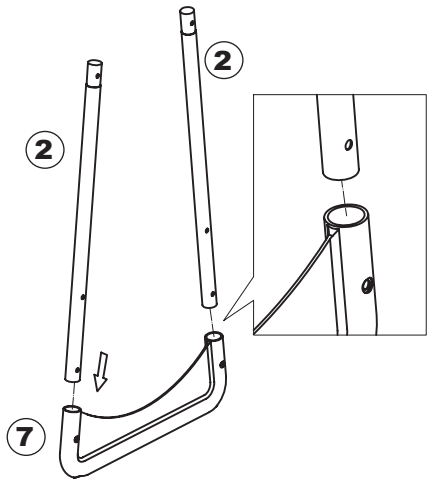
Hardware list

	a	Gasket	4PCS		f	Button	2PCS
	b	Short Screw	4PCS		g	Screw	2PCS
	c	Nut	4PCS		h	Wheels Without Brake	2PCS
	d	Long Screw	8PCS		i	Wheels With Brake	2PCS
	e	Screw	4PCS		j	Spanner	1PC

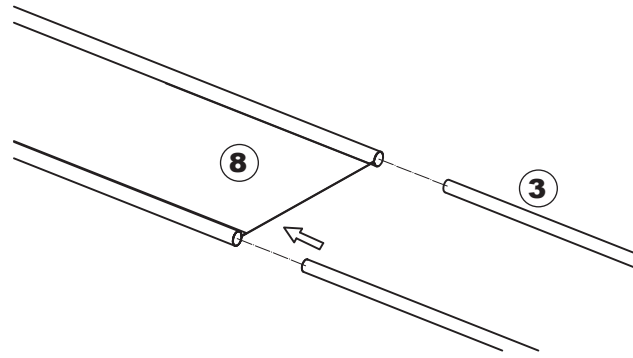
									
①	2PCS	②	4PCS	③	4PCS	④	4PCS	⑤	1PCS
									
⑥	2PCS	⑦	2PCS						
									
⑧	1PC	⑨	1PCS						



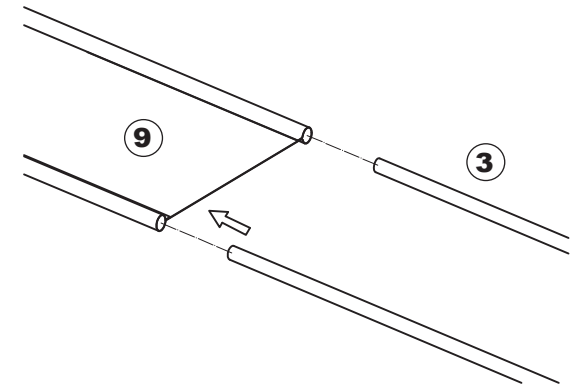
STEP 1



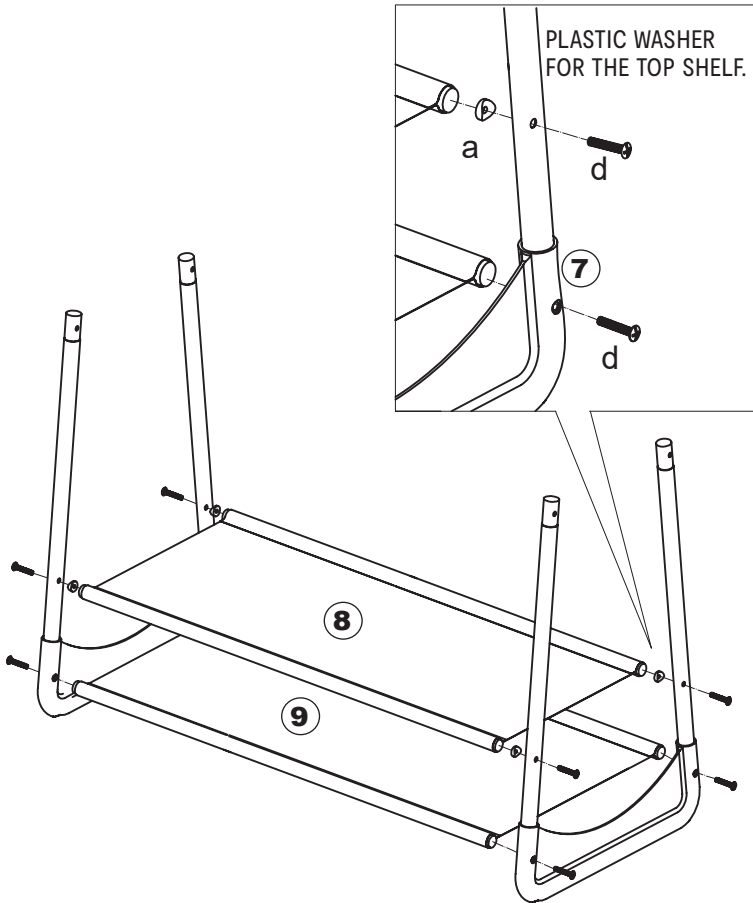
STEP 2



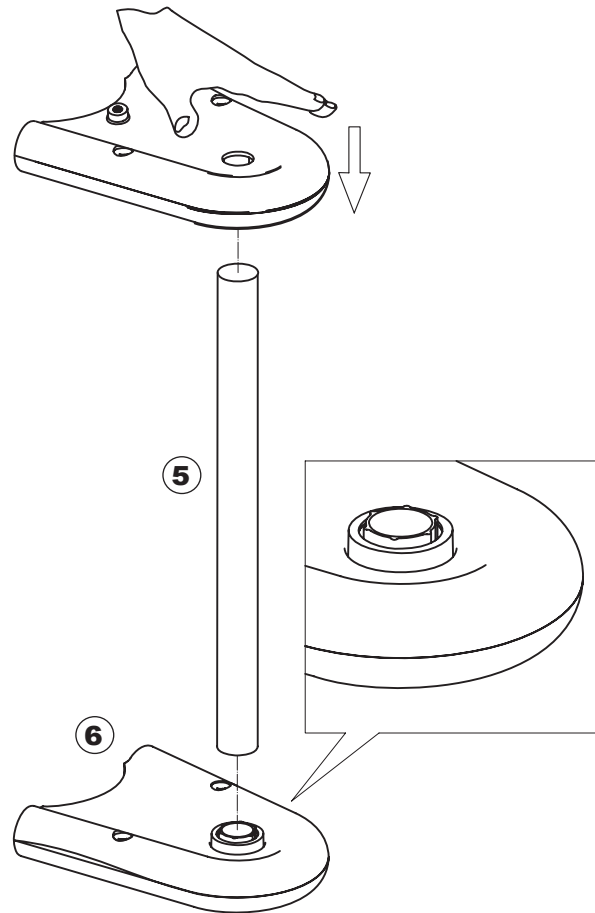
STEP 3



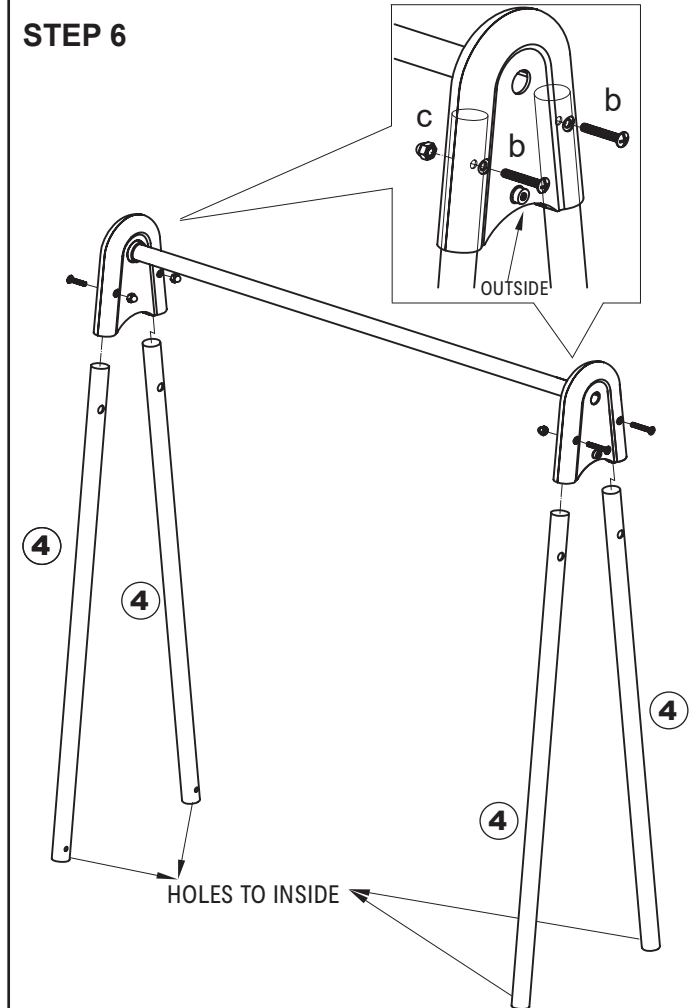
STEP 4



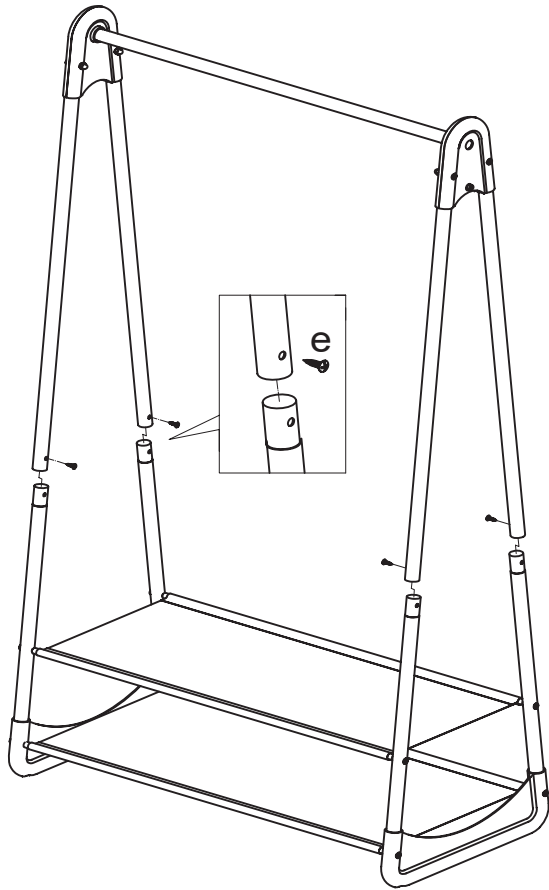
STEP 5



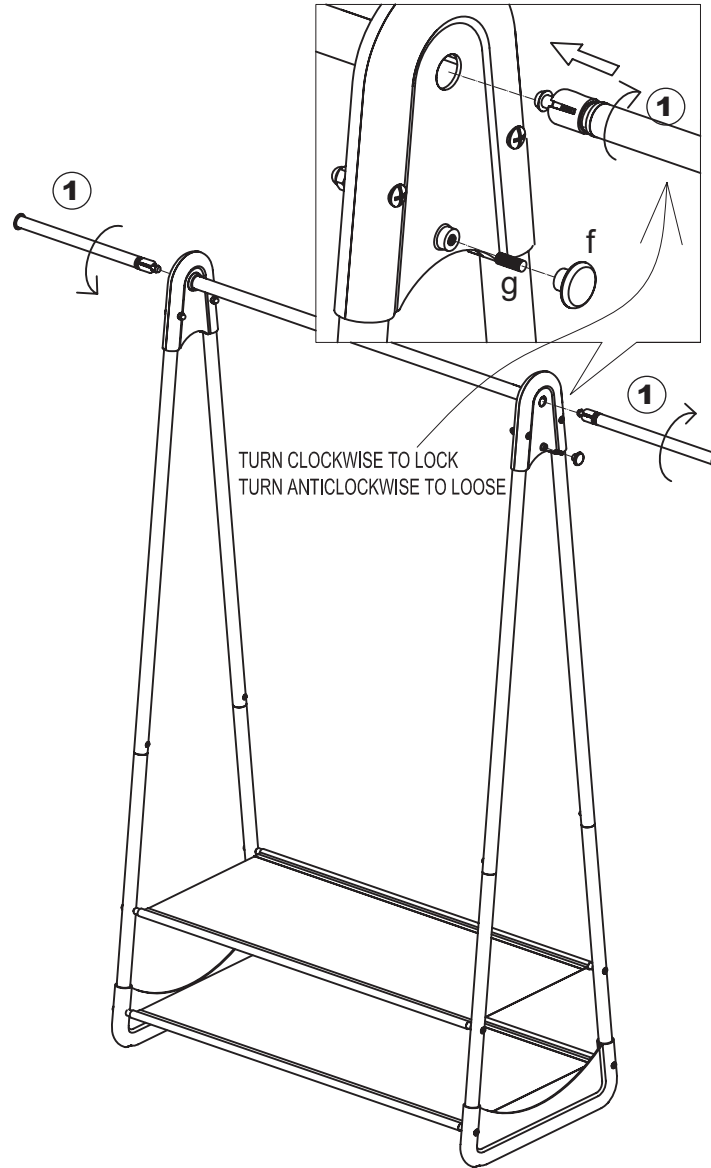
STEP 6



STEP 7



STEP 8



STEP 9

