

Assembly Instructions

43279814 2 SHELVES GARMENT RACK

CARE INSTRUCTIONS:

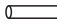
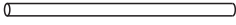







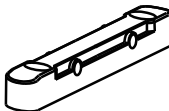





WIPE CLEAN WITH A SOFT DAMP CLOTH. DO NOT USE ABRASIVE MATERIAL AND SOLVENTS. KEEP AWAY FROM WATER AND DIRECT SUNLIGHT. CHECK AND TIGHTEN ALL PARTS REGULARLY. ENSURE PARTS ARE PUSHED TOGETHER SECURELY. FOR INDOOR USE ONLY.

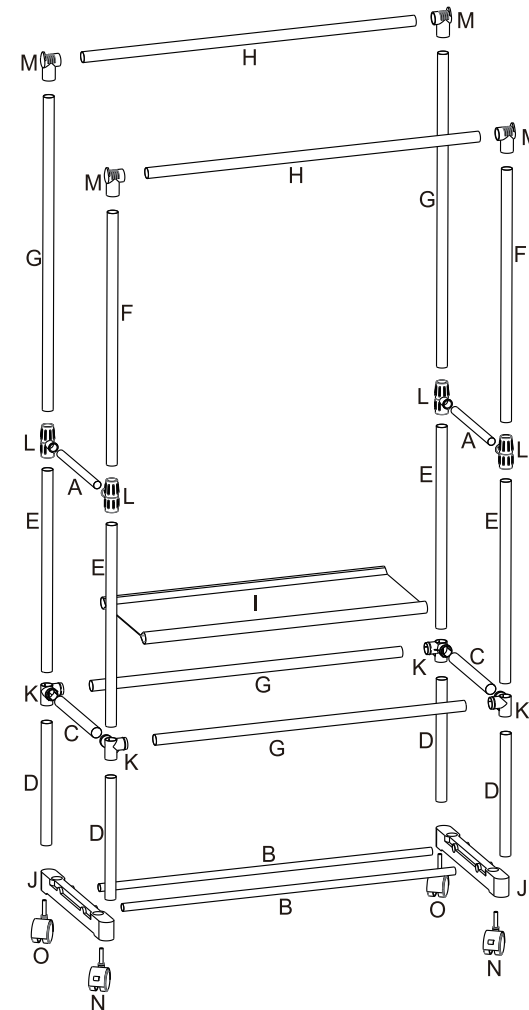
WARNING:

DO NOT STAND ON THE UNIT. USE ONLY ON A FLAT SURFACE. DO NOT USE UNTIL ALL SCREWS, BOLTS AND KNOBS ARE FIRMLY SECURED. THIS PRODUCT CONTAINS SMALL PARTS AND SHARP POINTS, KEEP AWAY FROM CHILDREN AND BABIES. ADULT ASSEMBLY REQUIRED. FAILURE TO FOLLOW THESE WARNINGS COULD RESULT IN SERIOUS INJURY.

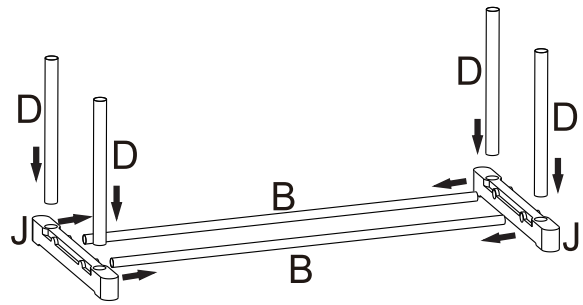
MAXIMUM SAFE LOAD: 5KG FOR CLOTHES RAIL, 3KG FOR SHELF.

Components list

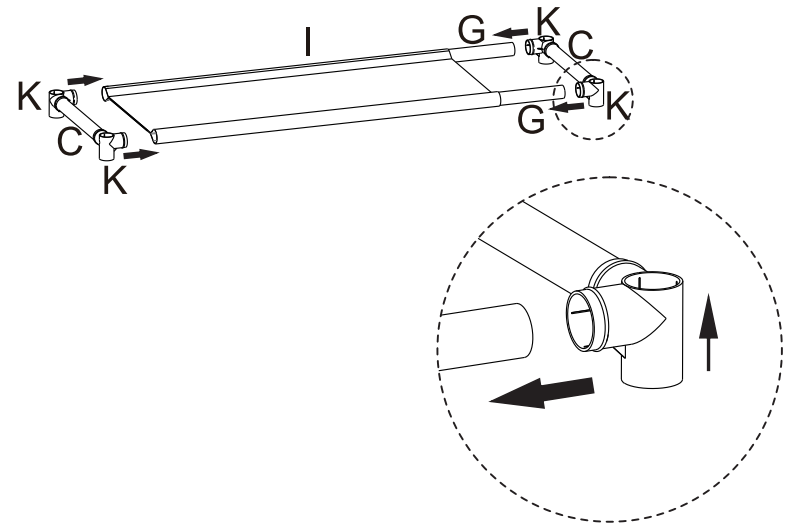
								
A	Φ 15x260mm	2PCS	B	Φ 15x825mm	2PCS	C	Φ 22x260mm	2PCS
								
D	Φ 22x300mm	4PCS	E	Φ 22x495mm	4PCS	F	Φ 22x620mm	2PCS
								
G	Φ 22x770mm	4PCS	H	Φ 22x825mm	2PCS	I		1PC
								
J		2PCS	K		4PCS	L		4PCS
								
M		4PCS	N		2PCS	O		2PCS



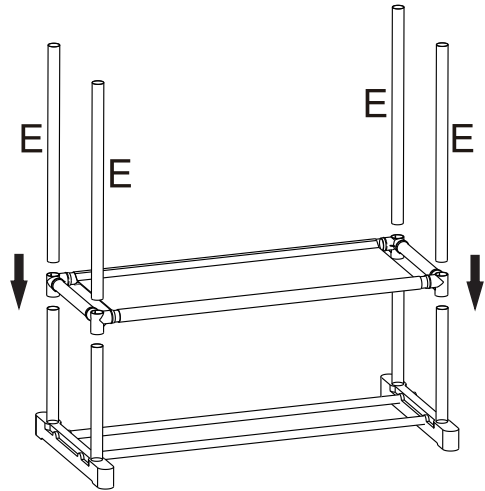
STEP 1



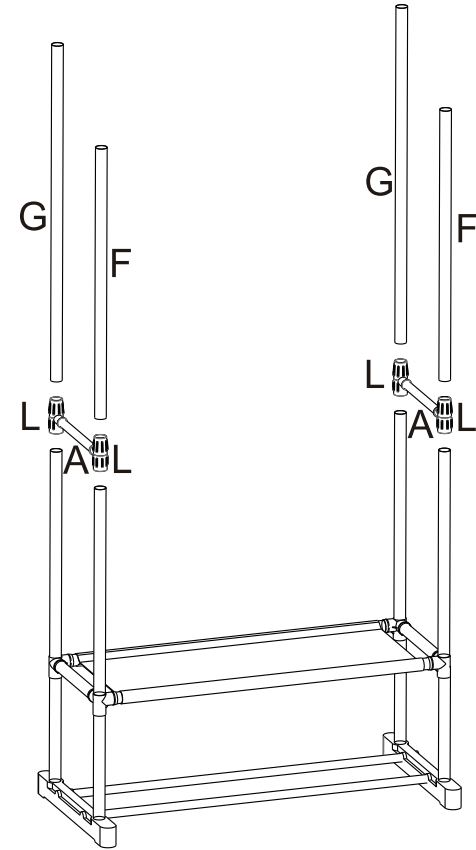
STEP 2



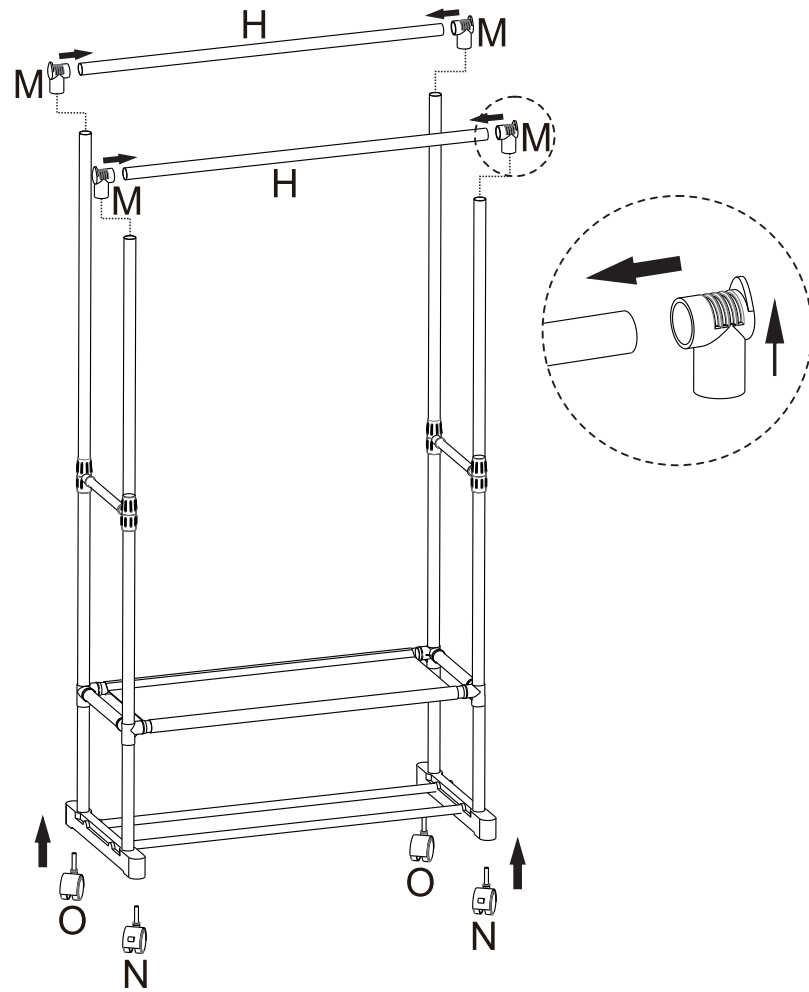
STEP 3



STEP 4



STEP 5



STEP 6

