

Assembly Instructions

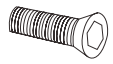
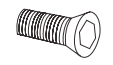


43283170 MESH GARMENT RACK BLACK

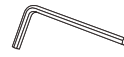



CARE INSTRUCTIONS:

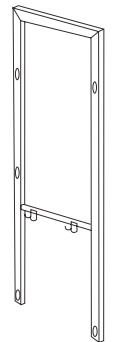
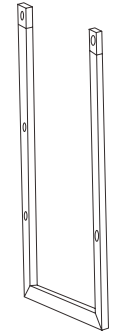
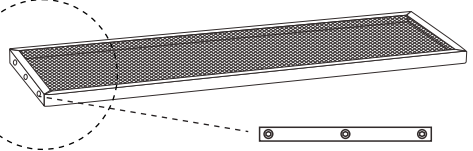
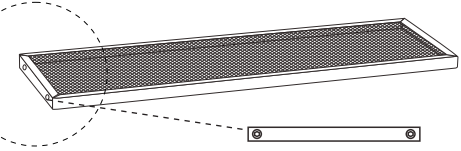



WIPE CLEAN WITH A SOFT DRY OR DAMP CLOTH.

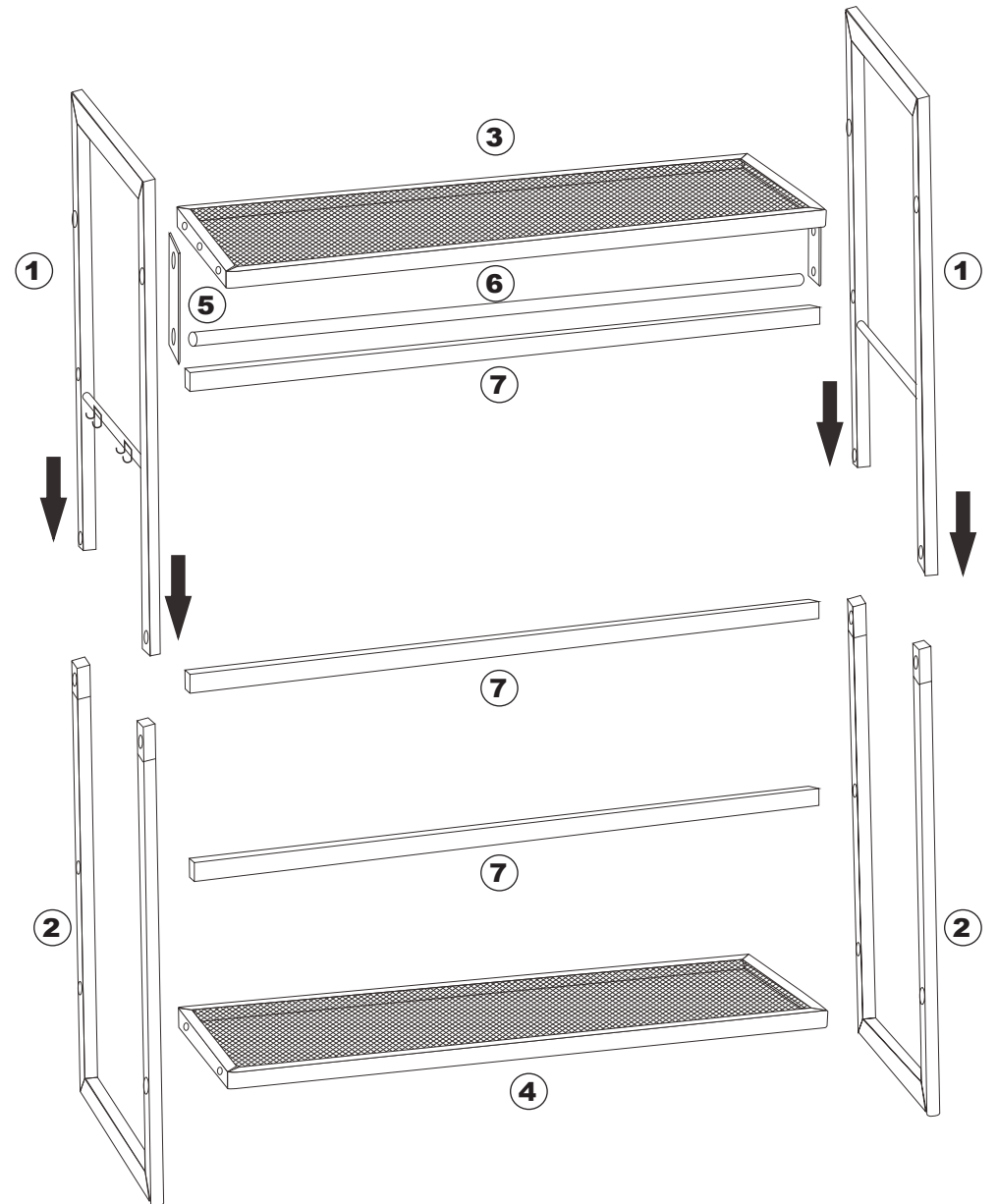
MAXIMUM SAFE LOAD: 5KGS FOR EACH MESH TRAY , 10KGS FOR THE HANGING BAR , 2KGS FOR EACH HANGING HOOK .

Hardware list

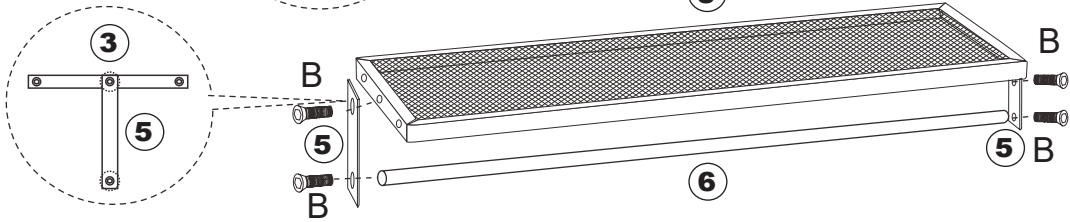
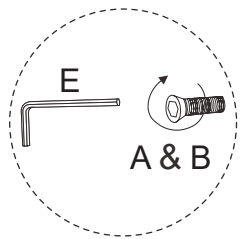
	A	30mm	15PCS
	B	20mm	7 PCS
	C	Nut	3PCS
	D	Spanner	1PC

	E	Hex Key	1PC
	F	Screw	2PCS
	G	Wall Plug	2PCS
	H	Strap	2PCS

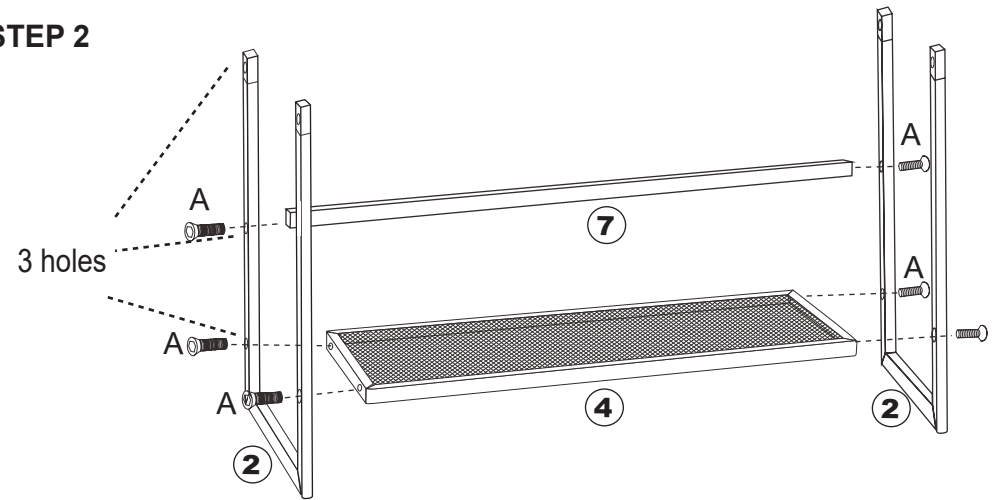
					
①	2PCS	②	2PCS		
					
③	1PC	④	1PC		
					
⑤	2PCS	⑥	1PC	⑦	3PCS



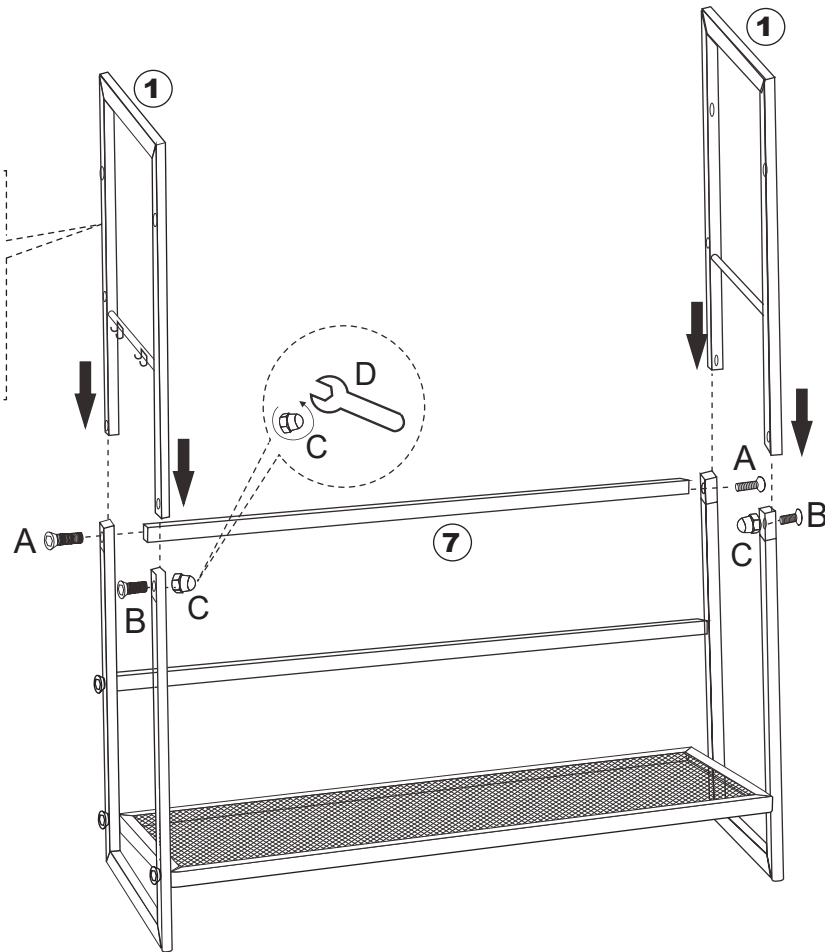
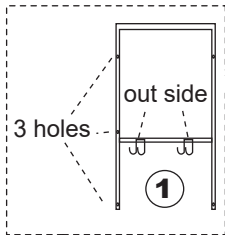
STEP 1



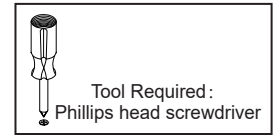
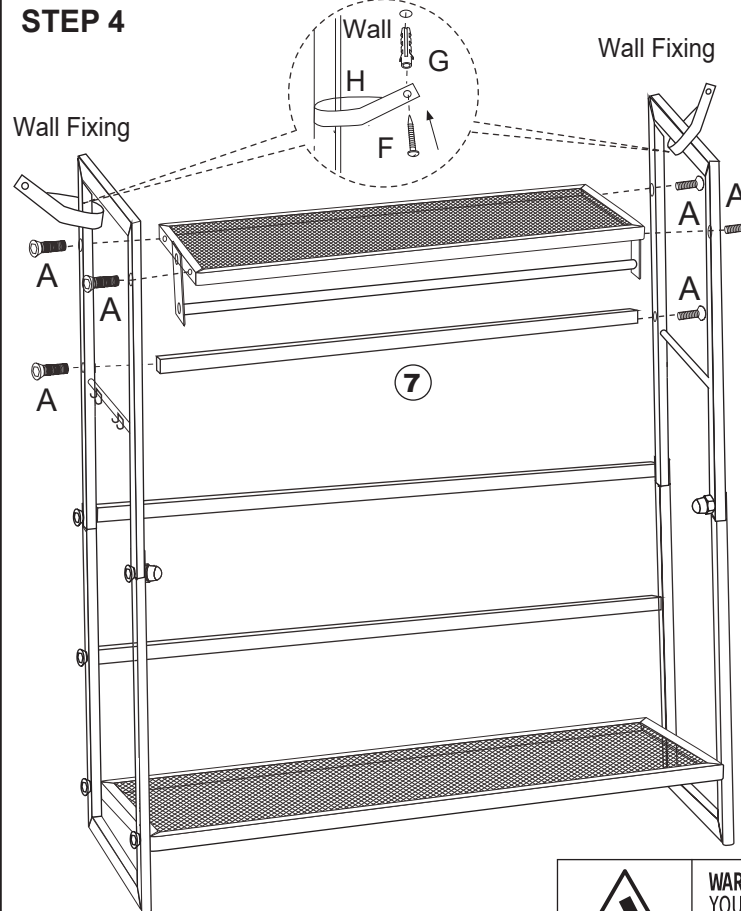
STEP 2



STEP 3



STEP 4



- Warning:**
- It is strongly recommended that this product is permanently fixed to the wall.
 - Please seek professional advice if you are in doubt of what fixing device to use.
 - Regularly check that anchors are securely maintained.
 - Stability of tall items may be affected by thick pile carpet or uneven floors.
- Caution:** for your safety when attaching the anchor fixings, please note the following:
- Check any electrical wires or plumbing inside the wall before drilling any holes
- (if you are unsure please seek professional advice from a qualified tradesperson).



WARNING: PLEASE SECURE YOUR FURNITURE WITH THE SUPPLIED WALL FIXING. SCAN THE CODE FOR MORE INFORMATION.



