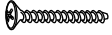





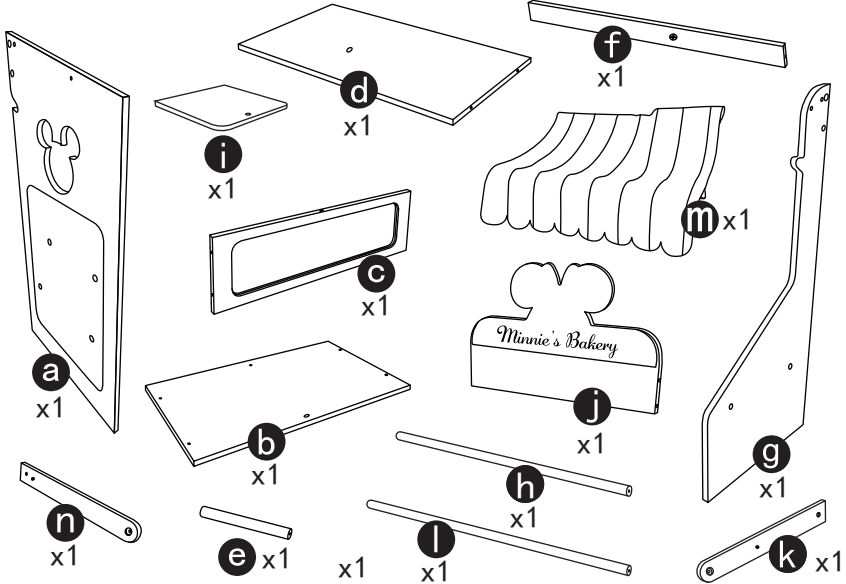
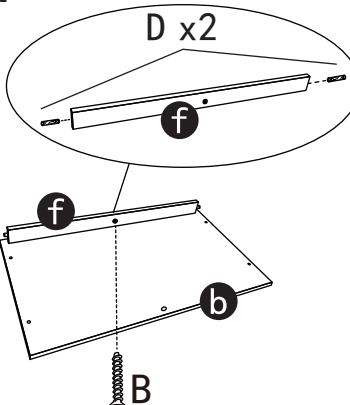
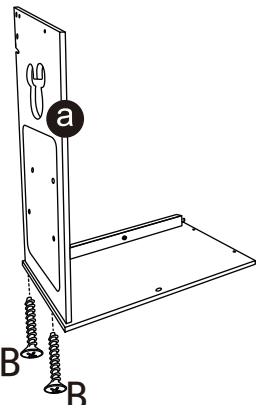
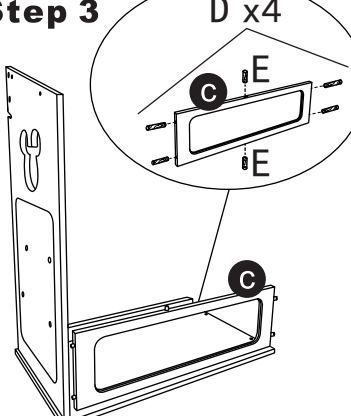
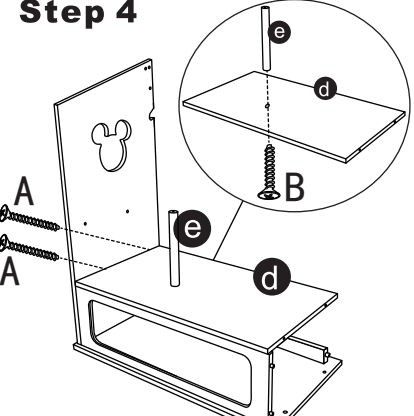
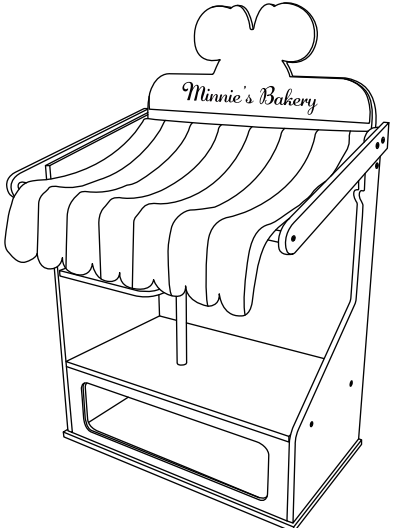


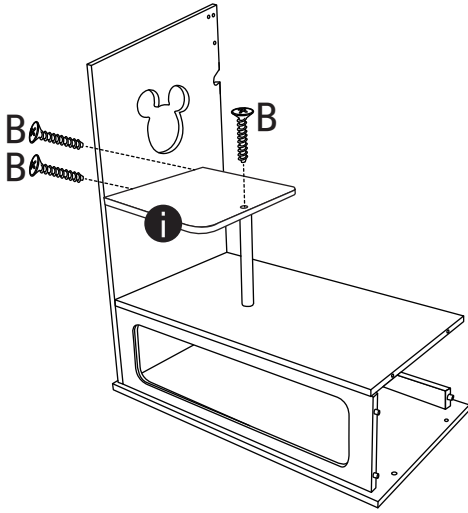
Disney Wooden Minnie Bakery

Assembly Instruction

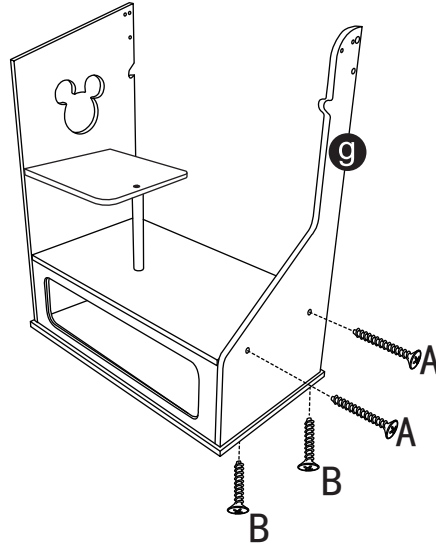
HARDWARE	PARTS LIST
<p>A  x8</p> <p>B  x13</p> <p>C  x2</p> <p>D  x6</p> <p>E  x2</p> <p>The following tool (not included) is required for assembly :</p> <p>Cross screwdriver</p> 	
<p>WARNING: THIS IS A TOY, INTENDED FOR ROLE PLAY ONLY.</p>	<h3>ASSEMBLY</h3>
<p>WARNING: CHOKING HAZARD – SMALL PARTS, NOT SUITABLE FOR CHILDREN UNDER 3 YEARS.</p>	<div style="display: flex; justify-content: space-around;"> <div data-bbox="667 1205 1101 1653"> <p>Step 1</p>  </div> <div data-bbox="1109 1205 1524 1653"> <p>Step 2</p>  </div> </div>
<p>CAUTION: ADULT ASSEMBLY IS REQUIRED. UNASSEMBLED PARTS CONTAIN SCREWS AND WITH FUNCTIONAL SHARP POINTS, PLEASE KEEP UNASSEMBLED PARTS AWAY FROM SMALL CHILDREN.</p>	<div style="display: flex; justify-content: space-around;"> <div data-bbox="667 1686 1061 2130"> <p>Step 3</p>  </div> <div data-bbox="1069 1686 1524 2130"> <p>Step 4</p>  </div> </div>
<p>CAUTION: PLEASE CHECK CONDITION OF ITEM REGULARLY AS SCREWS MAY LOOSEN WITH USE OVER TIME. TIGHTEN SCREW FITTINGS IF NECESSARY</p> <p>Keycode: MADE IN CHINA © KMART AUSTRALIA LIMITED</p> 	<p>1</p>

ASSEMBLY

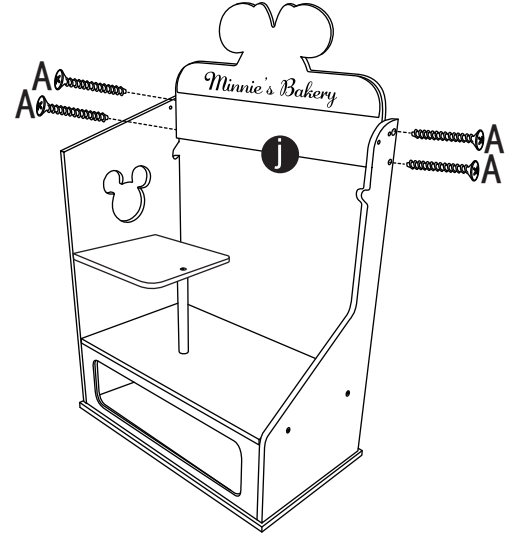
Step 5



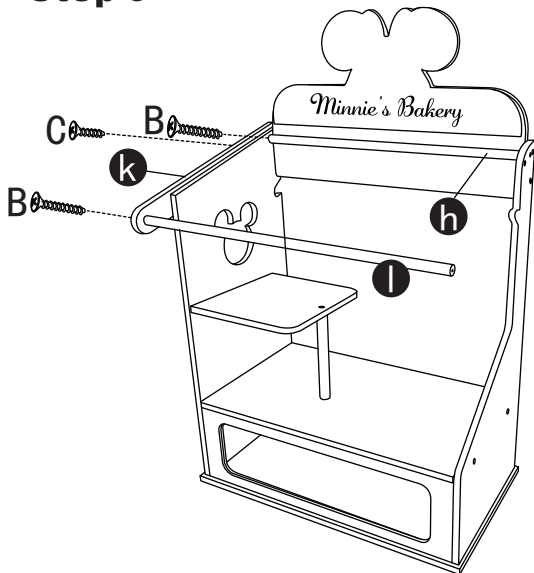
Step 6



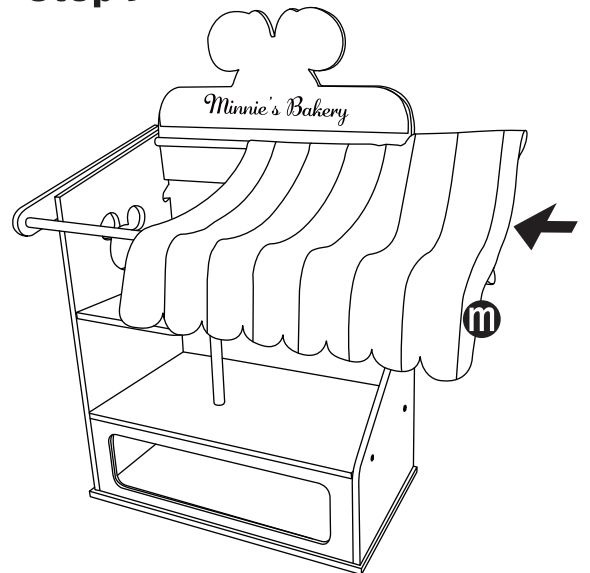
Step 7



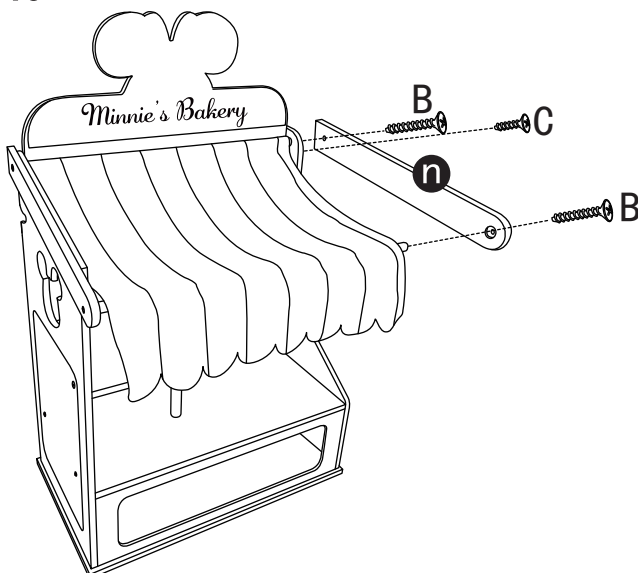
Step 8



Step 9



Step 10



Step 11

