

WARNING:DO NOT PUT FOREIGN MATTER INTO THE PRODUCT. DO NOT USE THE PRODUCT WHILE CHARGING. INSTALL BATTERIES TO CORRECT POLARITY. DO NOT USE DIFFERENT TYPES OF BATTERIES. INSTALLATION BY ADULT REQUIRED. DISPOSE OF BATTERIES RESPONSIBLY. DO NOT DISPOSE OF IN FIRE. SMALL PARTS,KEEP AWAY FROM CHILDREN UNDER 3 YEARS.

MADE IN CHINA

FOR AU / NZ:IMPORTED FOR KMART STORES IN AUSTRALIA AND NEW ZEALAND.

USER MANUAL

RECHARGEABLE EVAPORATIVE COOLER
KEY CODE:43296637

IMPORTANT SAFETY INSTRUCTIONS

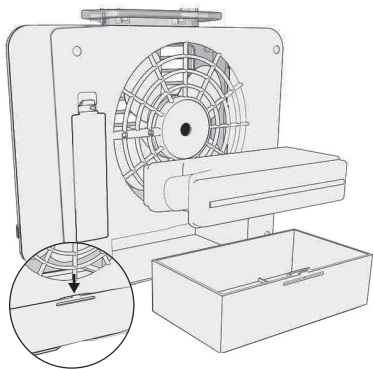


Step 1

Shake the coolant pack before freezing. Place flat in the freezer. When frozen, remove from freezer and place into coolant tray. Insert tray into cooler and close firmly.

Please press down the tray buckle (as the lower left of the following figure shown) and pull out coolant tray.

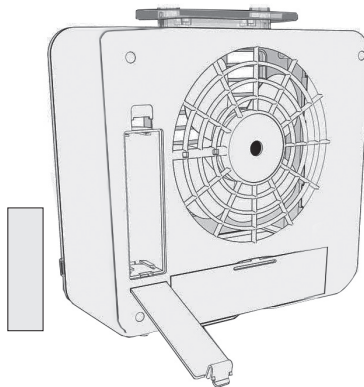
If the coolant pack be frozen too long time, it may bulge, so please leave it at room temperature until the bulge disappears before use.



Step 2

Insert the 1200mAh Li-ion rechargeable battery (included) according to the symbol of positive and negative anodes.

DO NOT DISPOSE OF OLD BATTERIES
THEY SHOULD BE RECYCLED



Step 3

When the battery power is too low (or affects the work of fan), need to charge the product. Please insert the USB cable (included), and connect a power supply (DC 5V = 0.5~1A).

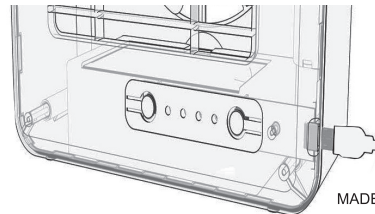
Red Light: Charging.
Green Light: Full Charge

Operation

Press the ON/OFF (Red) Button to turn the cooler on. (low speed)

Press the MODE (Blue) Button to cycle through speeds. (high, medium, low)

Press the ON/OFF (Red) Button to turn the cooler off.



MADE IN CHINA