

420.19 mm



Instruction Manual
Keycode : 43303502
LED JUPITER ON STAND

IMPORTANT SAFETY INSTRUCTIONS:

The following safety precautions should always be followed, to reduce the risk of electric shock, personal injury or fire. It is important to read all of these instructions carefully before using the product, and to save them for future reference or new users.

WARNING:

1. Read this user manual thoroughly before first use and pass it on with the product
2. LED's are not replaceable. When it reaches its end of life, the whole light shall be replaced.
3. Do not stare into the LED beam.
4. This product is not suitable for household room illumination. Only used as decorative light.
5. Never expose rechargeable batteries to excessive heat (e.g. bright sun, fire), and never throw them into fire. The rechargeable batteries could explode.
6. The rechargeable battery is permanently built into the product and cannot be replaced.
7. Never damage the rechargeable battery. Damaging the casing of the rechargeable battery might cause an explosion or a fire!
8. Never short-circuit the contacts of the rechargeable battery. Do not throw the rechargeable battery or the product into fire. There is a danger of fire and explosion!
9. Never charge the rechargeable battery of the product unattended.
10. The product is intended to be used in moderate climates only. Do not use in tropical or very humid climates.
11. Do not move the product from cold into warm environments and vice versa.
12. The use of accessories and parts not specifically recommended by the manufacturer may cause injuries or damages and will result in forfeiture of the warranty.
13. The product may not function properly or not react to the operation of any control due to electrostatic discharge. Switch off and disconnect the product; reconnect/switch on after a few seconds.
14. If the product shows damages, do not use it any longer and have it re-paired by a qualified technician, or contact our customer service department. Do not disassemble the product, and do not try to repair it yourself.
15. When disposing the product, please consult an electrician or your retailer to remove and dispose the built in batteries in an environmentally friendly manner.
16. Remove the batteries from the product before disposal.
17. The product must be disconnected from the supply mains when removing the battery.
18. Only charge the product with an approved and suitable USB charger that complies with the requirements of the relevant standards.
19. The remote, USB cable are not water-proof, must be kept indoor all the times.
20. Do not attempt to open the LED module to avoid damage.
21. The battery in the product can be recharged but cannot be replaced.
22. The battery in the remote control can be replaced but cannot be charged.
23. Children must not use this product without adult supervision.
24. Do not expose the product to fire or high temperatures over 45 C.
25. Keep away from water, liquids, or wet areas.
26. Use a dry cloth to clean this product. Do not use chemicals on this product.
27. Make sure the product has plenty of ventilation during charging.
28. Do not place the product in direct sunlight, heat or the under the windshield.
29. When the unit is not in use, make sure it is correctly turned off and stored in a cool dry place.
30. When disposing of this product. Do so responsibly following local government requirements.

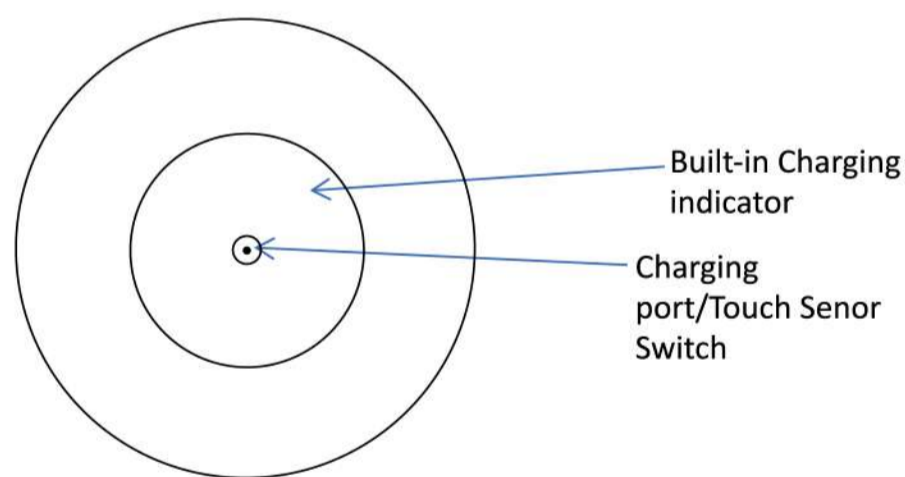
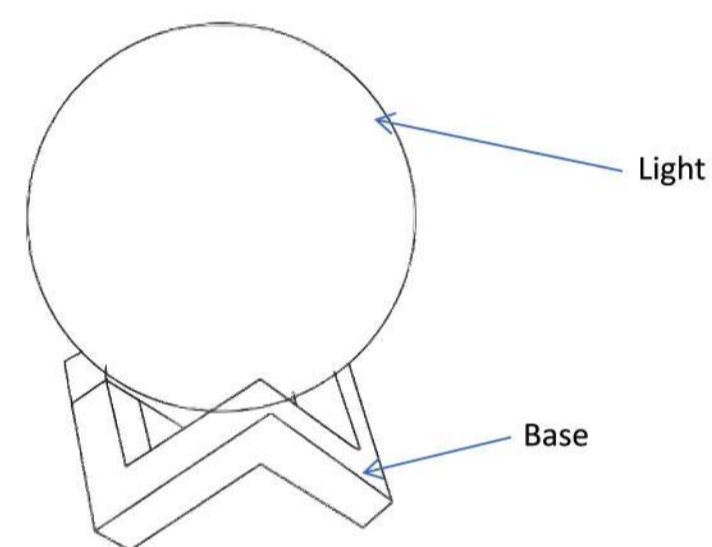
WARNING: READ AND FOLLOW ALL ABOVE INSTRUCTIONS CAREFULLY. DO NOT DROP OR APPLY EXCESSIVE FORCE TO THIS PRODUCT. DO NOT EXPOSE TO HIGH TEMPERATURES. IMPROPER USE OR HANDLING OF THIS PRODUCT MAY RESULT IN FIRE OR EXPLOSION CAUSING SERIOUS INJURY OR PROPERTY DAMAGE.

Production Specification:

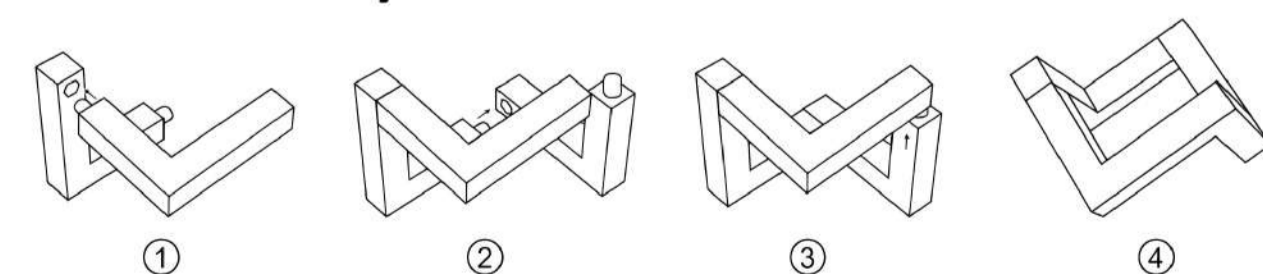
USB Input power: DC 5V 1A
Recharge battery: 3.7V 300mAh (non-replaceable)
Remote control: 2x1.5V AAA batteries (not included)

Accessories Quantities:

Light x1, Remote control x1, USB cable x1, Base x1



Base assembly instruction:



Battery charge instruction:

1. Connect USB charging cable plug with light charging port.
 2. Connect the cable into USB power port.
- Note: The built-in charging red indicator light at the bottom of the light will light up when charging, and the indicator light extinguishes after it has finished charging.

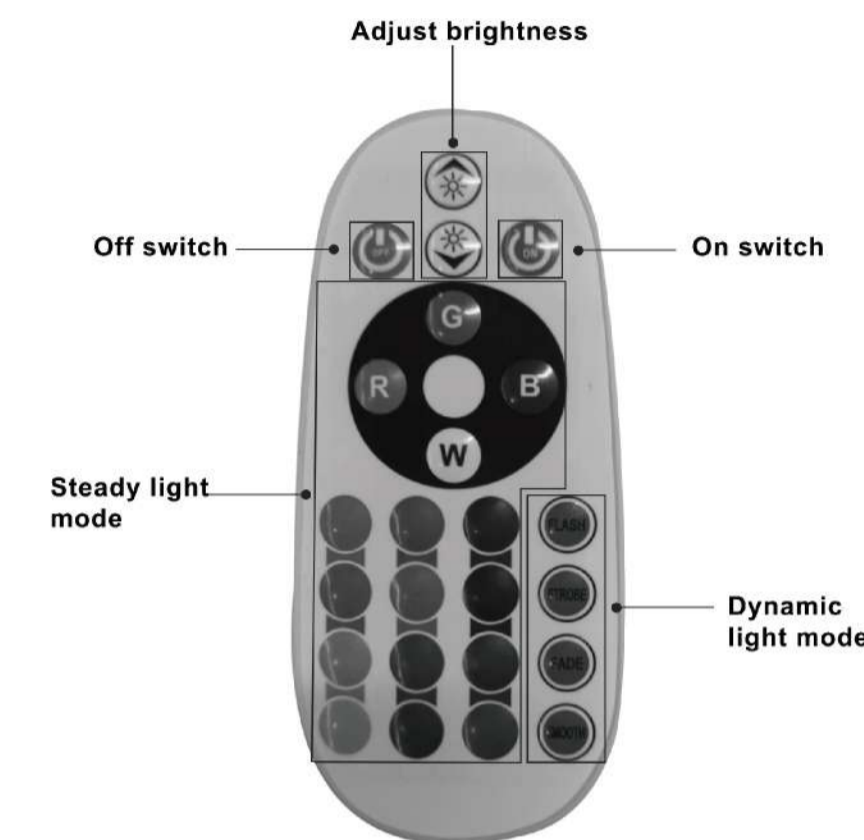
Warning:

Use provided charging cable to charge 43303502 led jupiter on stand product only. Do not charge the product for long time. Please charge the battery in time when it runs out or it will affect the battery life. Turn off the switch when the product is no longer use. Please charge the battery for every month, otherwise the battery life will be impacted.

Operating manual:

- 1. Off mode**
Touch and hold the sensor switch for about 8 seconds to switch off the light or press the "ON" button for about 2 seconds to lock the light. At the "Off" mode, the light will not have any function or response.
 - 2. On mode**
Touch and hold the sensor switch for about 8 seconds to switch on the light or directly charge the light to activate.
 - 3. Touch switch**
When the product is on mode, short touch the sensor switch can change the light color, touch and hold the sensor switch for about 2 seconds to adjust the brightness. The brightness adjustment function is only applicable to steady color mode, not in the dynamic light mode. The touch function of the sensor switch cannot be used while charging.
 - Attention: If the light is used for the first time. You can turn it on by touching and holding on the sensor switch about 8 seconds or directly charge the light to on mode first.**
 - 4. Flap switch**
When the product is on, long touch the sensor switch for about 6 seconds (white light fast flash 2 times) will enter the flap switch function, you can change the light color by flap the body of the product. If you do not need this function, you can close it by long touch the sensor switch for about 6 seconds again.
 - 5. Remote control**
You can use the remote control to select the light color or light mode.
 - 6. Charge time and operation time**
1.5-2.5 hours for fully charged, and operation time is about 2-50 hours depending on light mode and brightness.
- Remark:** Sometimes you will switch off the light in the darkest light mode and when you use in next time, it will switch on in the darkest light mode also. In this situation, it is suggested to put the product in a dark environment to see the light is on.

Function of remote control:



- Steady light mode: You can change the light color by select the color button.
- Dynamic light mode:
 - Flash: 7 color flash in loop
 - Strobe: R/G/B flash
 - Fade: various color change
 - Smooth: R/G/B breath

Battery Installation (For Remote Control):

This item requires 2x1.5VAAA batteries (Not included).
Battery installation by an adult is required.

BATTERY WARNING:

- Batteries are to be inserted with correct polarity.
- Do not mix different types of batteries or new and used batteries.
- Non-rechargeable batteries are not to be recharged.
- Rechargeable batteries are only to be charged under adult supervision.
- Rechargeable batteries are to be removed from the product before being charged.
- The supply terminals are not to be short-circuited.
- Remove batteries from the product when not in use for extended time or when batteries become exhausted.
- Dispose of batteries responsibly.
- Do not dispose of in fire.

297.09 mm