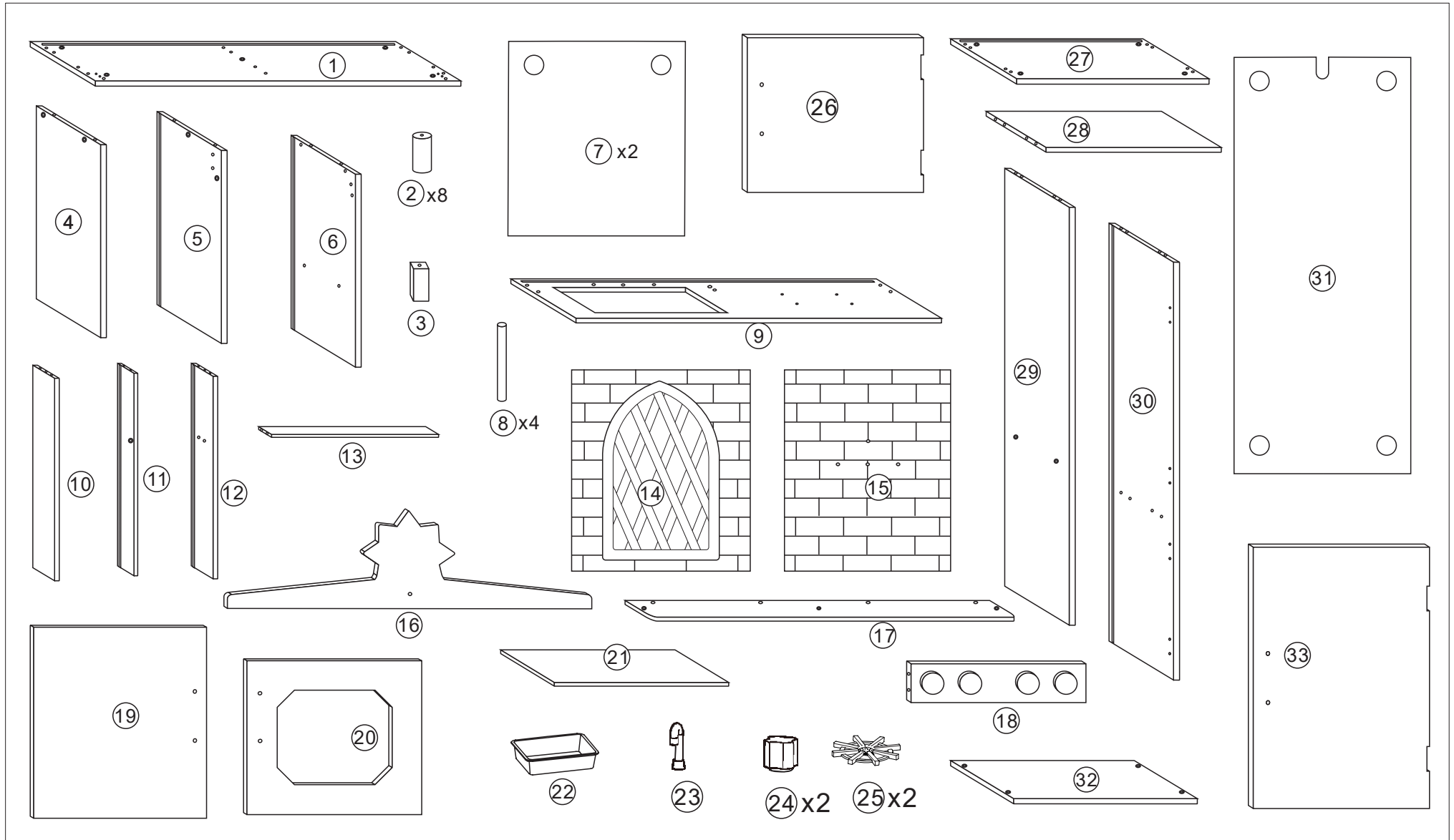


# Assembly Instructions



## CAUTION:

ADULT ASSEMBLY IS REQUIRED. HARDWARE CONTAINS SCREWS WITH SHARP POINTS. KEEP UNASSEMBLED PARTS OUT OF THE REACH OF SMALL CHILDREN. ADULT SUPERVISION IS RECOMMENDED. THIS IS A TOY, INTENDED FOR ROLE PLAY ONLY. PLEASE CHECK CONDITION OF ITEM REGULARLY, AS SCREWS MAY LOOSEN WITH USE OVER TIME. TIGHTEN SCREW FITTINGS IF NECESSARY.

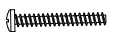

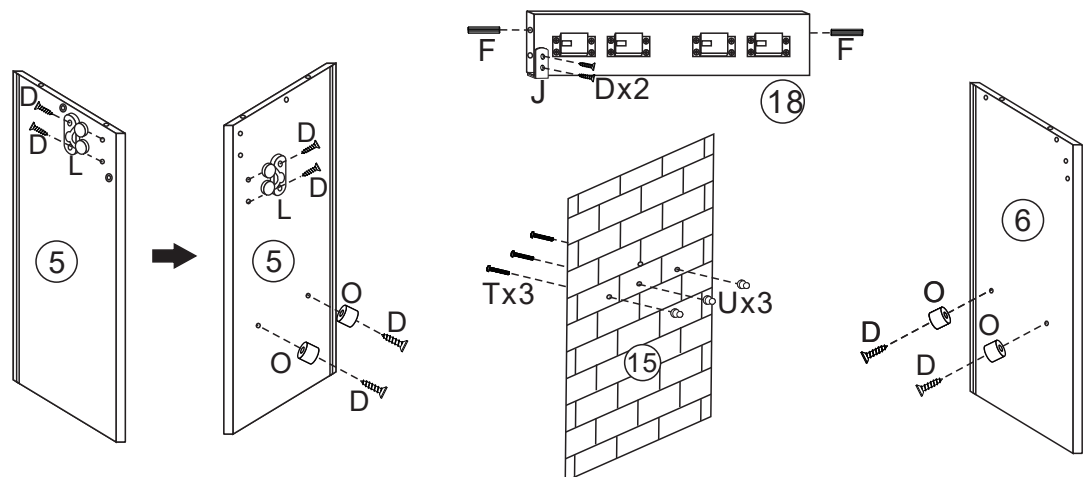


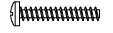




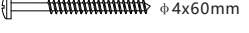
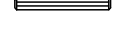





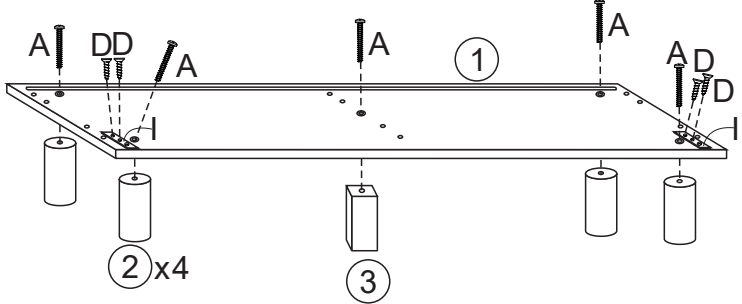





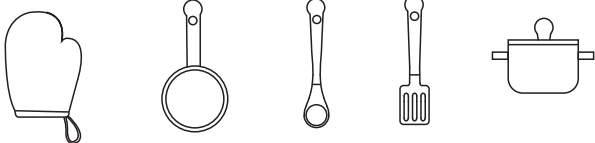
**WARNING:** PLEASE SECURE THIS PRODUCT WITH THE SUPPLIED WALL FIXING. IT IS STRONGLY RECOMMENDED THAT THIS PRODUCT IS PERMANENTLY FIXED TO THE WALL. PLEASE SEEK PROFESSIONAL ADVICE IF YOU ARE IN DOUBT OF WHAT FIXING DEVICE TO USE. REGULARLY CHECK THAT THE ANCHOR IS SECURELY MAINTAINED.



## WARNING

CHOKING HAZARD-SMALL PARTS.  
NOT SUITABLE FOR CHILDREN UNDER 3 YEARS.

# Assembly Instructions

Ax46  $\phi 4 \times 30 \text{mm}$	Lx4 	<div style="text-align: center; font-size: 2em; font-weight: bold; background-color: black; color: white; padding: 5px; width: 30px; margin: 0 auto;">1</div> 
Bx17  $\phi 4 \times 16 \text{mm}$	Mx4 	
Cx3  $\phi 4 \times 25 \text{mm}$	Nx1 	
Dx57  $\phi 3 \times 9 \text{mm}$	Ox4 	
Ex1  $\phi 4 \times 10 \text{mm}$	Px1  $\phi 4 \times 60 \text{mm}$	
Fx32  $\phi 5 \times 25 \text{mm}$	Qx1 	
Gx4 	Rx2 	
Hx4 	Sx1 	<div style="text-align: center; font-size: 2em; font-weight: bold; background-color: black; color: white; padding: 5px; width: 30px; margin: 0 auto;">2</div> 
Ix3 	Tx3  $\phi 3 \times 18 \text{mm}$	
Jx1 	Ux3 	
Kx5 		
		



## CAUTION:

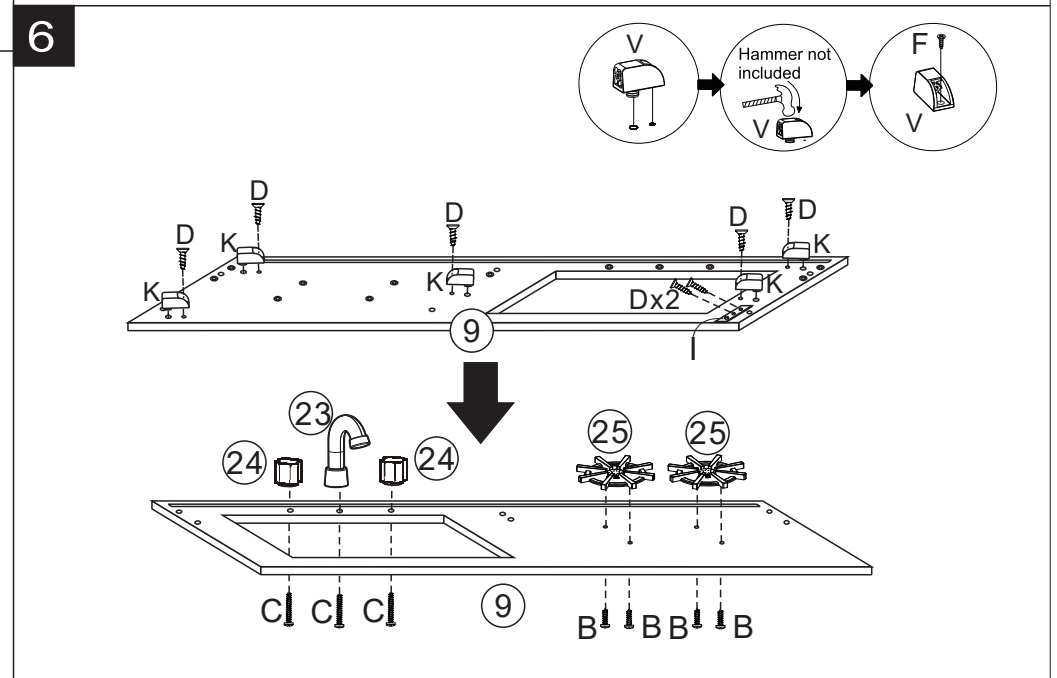
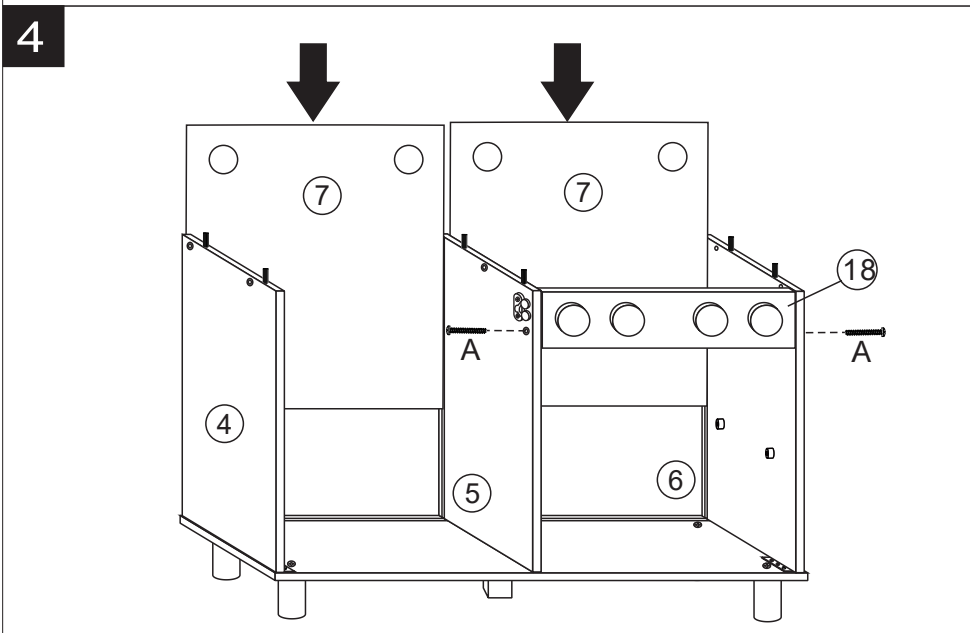
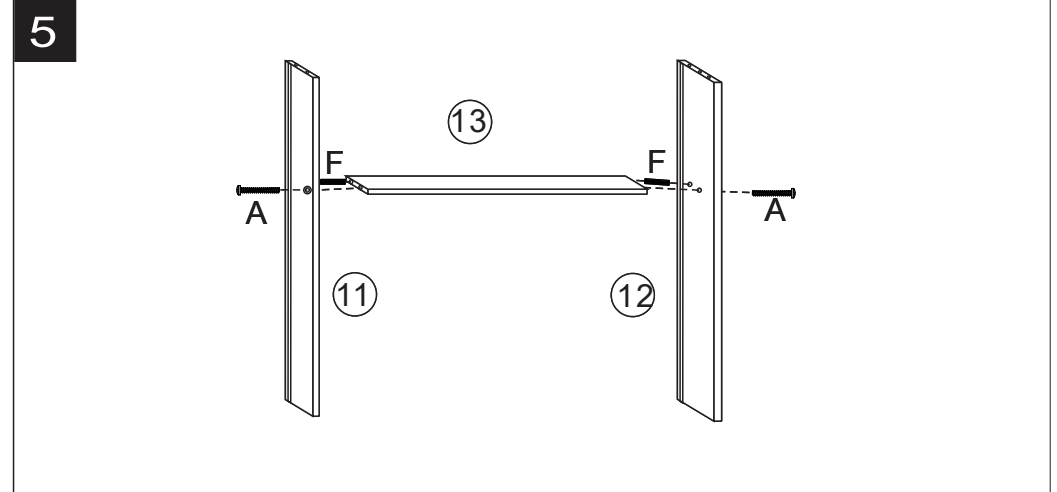
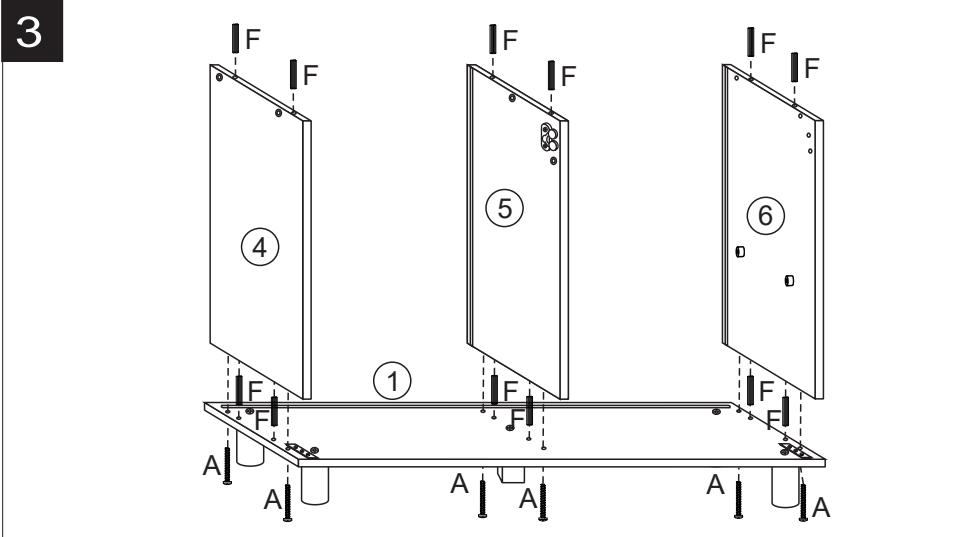
ADULT ASSEMBLY IS REQUIRED. HARDWARE CONTAINS SCREWS WITH SHARP POINTS. KEEP UNASSEMBLED PARTS OUT OF THE REACH OF SMALL CHILDREN. ADULT SUPERVISION IS RECOMMENDED. THIS IS A TOY, INTENDED FOR ROLE PLAY ONLY. PLEASE CHECK CONDITION OF ITEM REGULARLY, AS SCREWS MAY LOOSEN WITH USE OVER TIME. TIGHTEN SCREW FITTINGS IF NECESSARY.

**WARNING:** PLEASE SECURE THIS PRODUCT WITH THE SUPPLIED WALL FIXING. IT IS STRONGLY RECOMMENDED THAT THIS PRODUCT IS PERMANENTLY FIXED TO THE WALL. PLEASE SEEK PROFESSIONAL ADVICE IF YOU ARE IN DOUBT OF WHAT FIXING DEVICE TO USE. REGULARLY CHECK THAT THE ANCHOR IS SECURELY MAINTAINED.



**WARNING**  
CHOKING HAZARD-SMALL PARTS.  
NOT SUITABLE FOR CHILDREN UNDER 3 YEARS.

# Assembly Instructions



**CAUTION:**

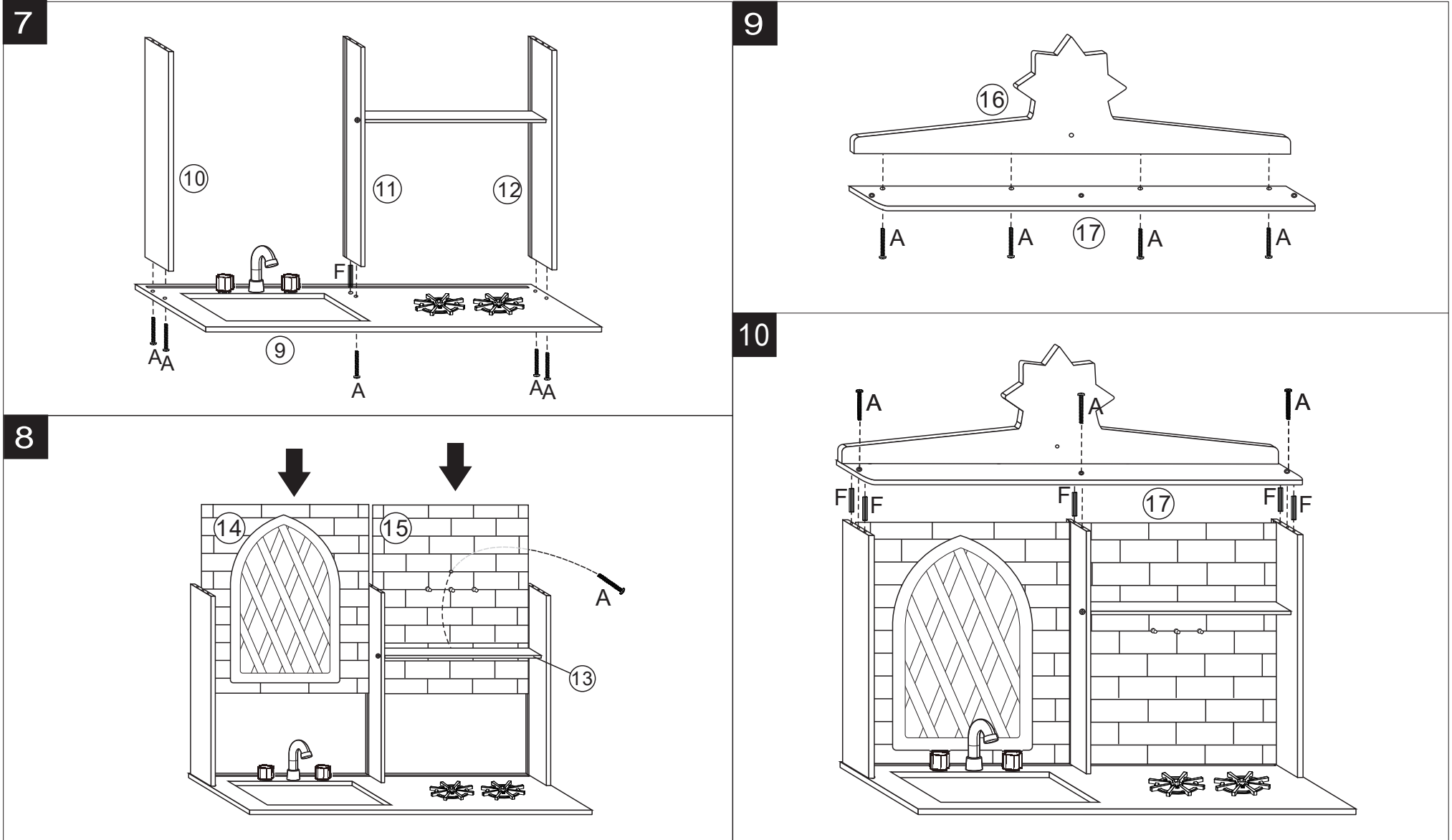
ADULT ASSEMBLY IS REQUIRED. HARDWARE CONTAINS SCREWS WITH SHARP POINTS. KEEP UNASSEMBLED PARTS OUT OF THE REACH OF SMALL CHILDREN. ADULT SUPERVISION IS RECOMMENDED. THIS IS A TOY, INTENDED FOR ROLE PLAY ONLY. PLEASE CHECK CONDITION OF ITEM REGULARLY, AS SCREWS MAY LOOSEN WITH USE OVER TIME. TIGHTEN SCREW FITTINGS IF NECESSARY.

**WARNING:** PLEASE SECURE THIS PRODUCT WITH THE SUPPLIED WALL FIXING. IT IS STRONGLY RECOMMENDED THAT THIS PRODUCT IS PERMANENTLY FIXED TO THE WALL. PLEASE SEEK PROFESSIONAL ADVICE IF YOU ARE IN DOUBT OF WHAT FIXING DEVICE TO USE. REGULARLY CHECK THAT THE ANCHOR IS SECURELY MAINTAINED.



**WARNING**  
CHOKING HAZARD-SMALL PARTS.  
NOT SUITABLE FOR CHILDREN UNDER 3 YEARS.

# Assembly Instructions



## CAUTION:

ADULT ASSEMBLY IS REQUIRED. HARDWARE CONTAINS SCREWS WITH SHARP POINTS. KEEP UNASSEMBLED PARTS OUT OF THE REACH OF SMALL CHILDREN. ADULT SUPERVISION IS RECOMMENDED. THIS IS A TOY, INTENDED FOR ROLE PLAY ONLY. PLEASE CHECK CONDITION OF ITEM REGULARLY, AS SCREWS MAY LOOSEN WITH USE OVER TIME. TIGHTEN SCREW FITTINGS IF NECESSARY.

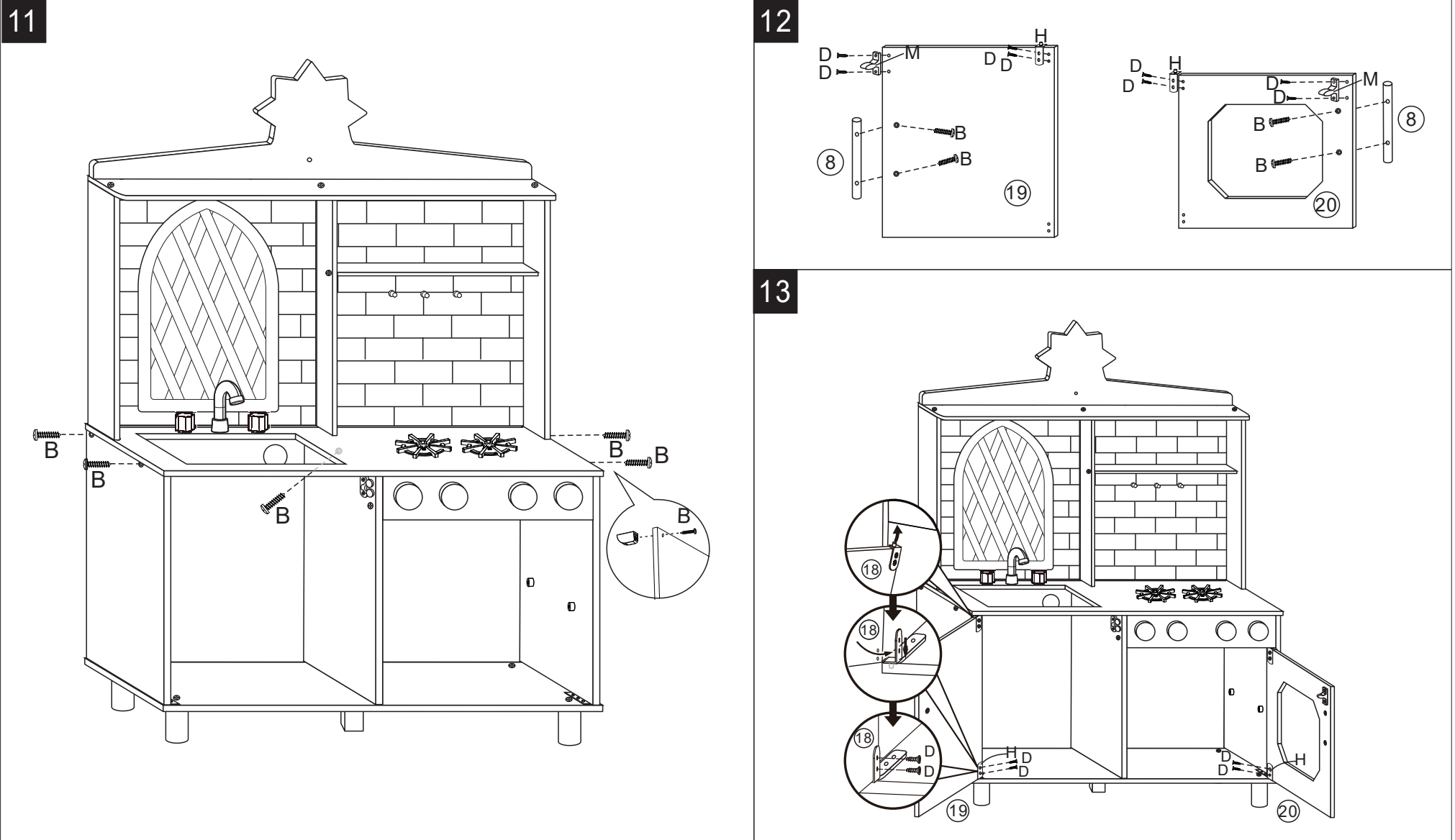
**WARNING:** PLEASE SECURE THIS PRODUCT WITH THE SUPPLIED WALL FIXING. IT IS STRONGLY RECOMMENDED THAT THIS PRODUCT IS PERMANENTLY FIXED TO THE WALL. PLEASE SEEK PROFESSIONAL ADVICE IF YOU ARE IN DOUBT OF WHAT FIXING DEVICE TO USE. REGULARLY CHECK THAT THE ANCHOR IS SECURELY MAINTAINED.



## WARNING

CHOKING HAZARD-SMALL PARTS.  
NOT SUITABLE FOR CHILDREN UNDER 3 YEARS.

# Assembly Instructions



## CAUTION:

ADULT ASSEMBLY IS REQUIRED. HARDWARE CONTAINS SCREWS WITH SHARP POINTS. KEEP UNASSEMBLED PARTS OUT OF THE REACH OF SMALL CHILDREN. ADULT SUPERVISION IS RECOMMENDED. THIS IS A TOY, INTENDED FOR ROLE PLAY ONLY. PLEASE CHECK CONDITION OF ITEM REGULARLY, AS SCREWS MAY LOOSEN WITH USE OVER TIME. TIGHTEN SCREW FITTINGS IF NECESSARY.

**WARNING:** PLEASE SECURE THIS PRODUCT WITH THE SUPPLIED WALL FIXING. IT IS STRONGLY RECOMMENDED THAT THIS PRODUCT IS PERMANENTLY FIXED TO THE WALL. PLEASE SEEK PROFESSIONAL ADVICE IF YOU ARE IN DOUBT OF WHAT FIXING DEVICE TO USE. REGULARLY CHECK THAT THE ANCHOR IS SECURELY MAINTAINED.

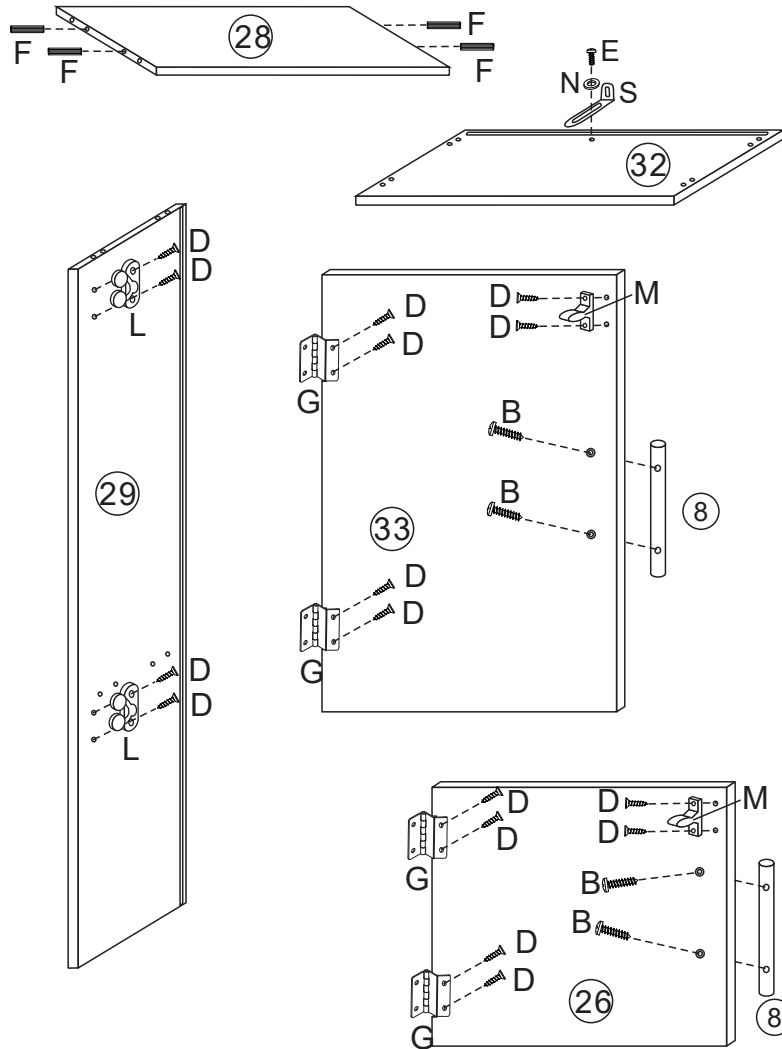


## WARNING

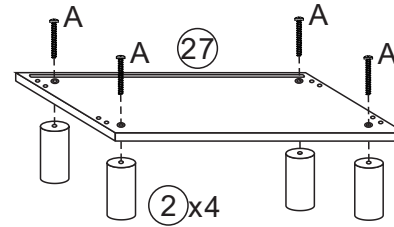
CHOKING HAZARD-SMALL PARTS.  
NOT SUITABLE FOR CHILDREN UNDER 3 YEARS.

# Assembly Instructions

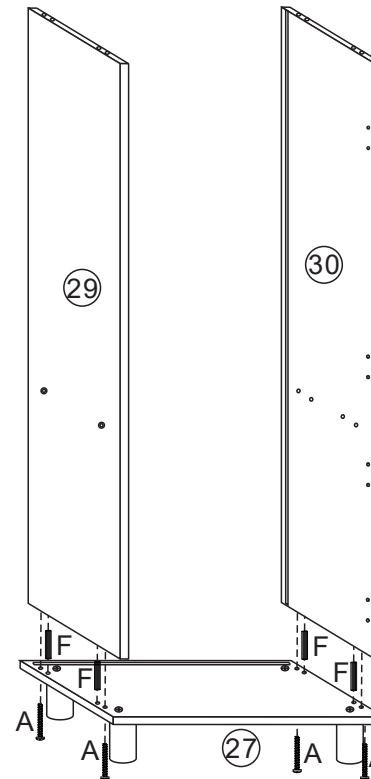
14



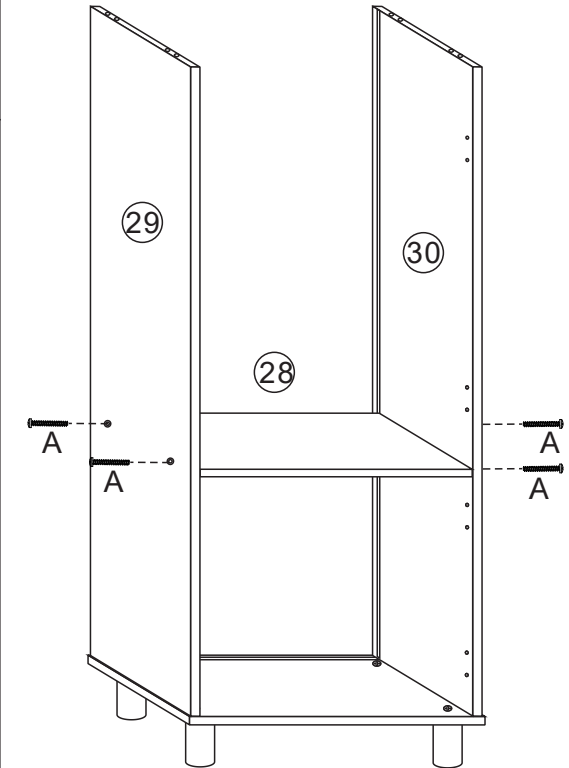
15



16



17



## CAUTION:

ADULT ASSEMBLY IS REQUIRED. HARDWARE CONTAINS SCREWS WITH SHARP POINTS. KEEP UNASSEMBLED PARTS OUT OF THE REACH OF SMALL CHILDREN. ADULT SUPERVISION IS RECOMMENDED. THIS IS A TOY, INTENDED FOR ROLE PLAY ONLY. PLEASE CHECK CONDITION OF ITEM REGULARLY, AS SCREWS MAY LOOSEN WITH USE OVER TIME. TIGHTEN SCREW FITTINGS IF NECESSARY.

**WARNING:** PLEASE SECURE THIS PRODUCT WITH THE SUPPLIED WALL FIXING. IT IS STRONGLY RECOMMENDED THAT THIS PRODUCT IS PERMANENTLY FIXED TO THE WALL. PLEASE SEEK PROFESSIONAL ADVICE IF YOU ARE IN DOUBT OF WHAT FIXING DEVICE TO USE. REGULARLY CHECK THAT THE ANCHOR IS SECURELY MAINTAINED.

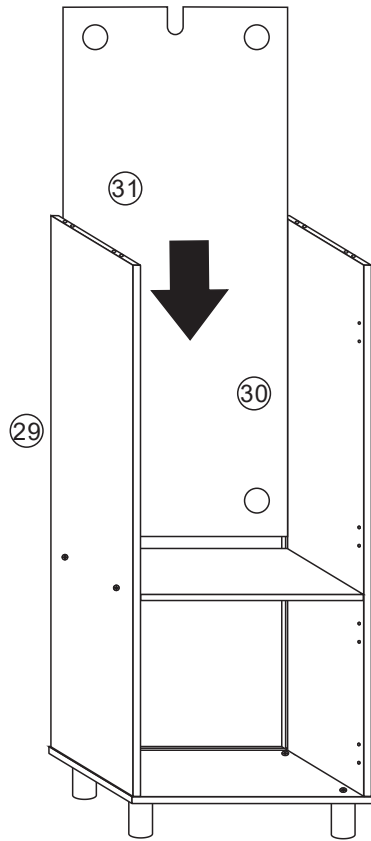


## WARNING

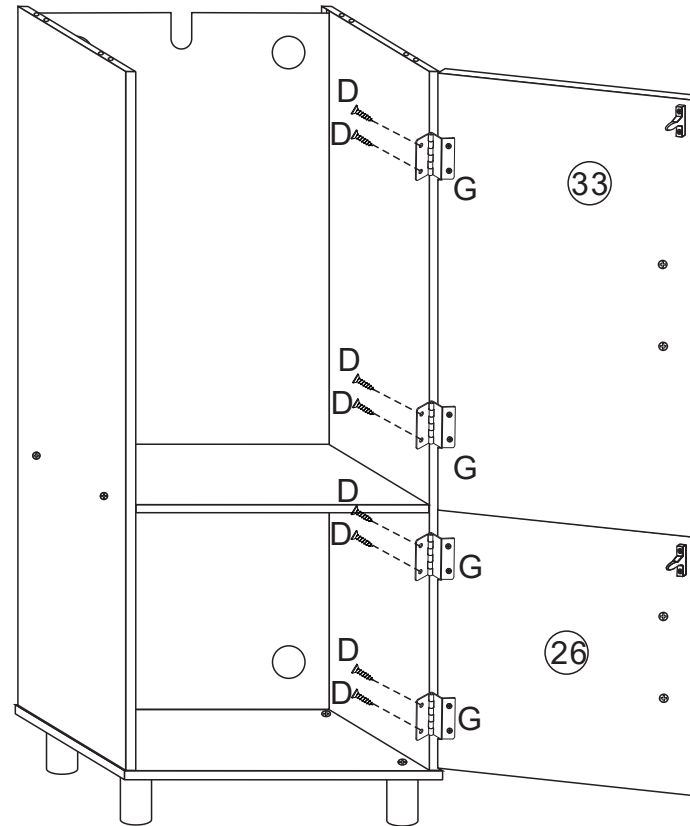
CHOKING HAZARD-SMALL PARTS.  
NOT SUITABLE FOR CHILDREN UNDER 3 YEARS.

# Assembly Instructions

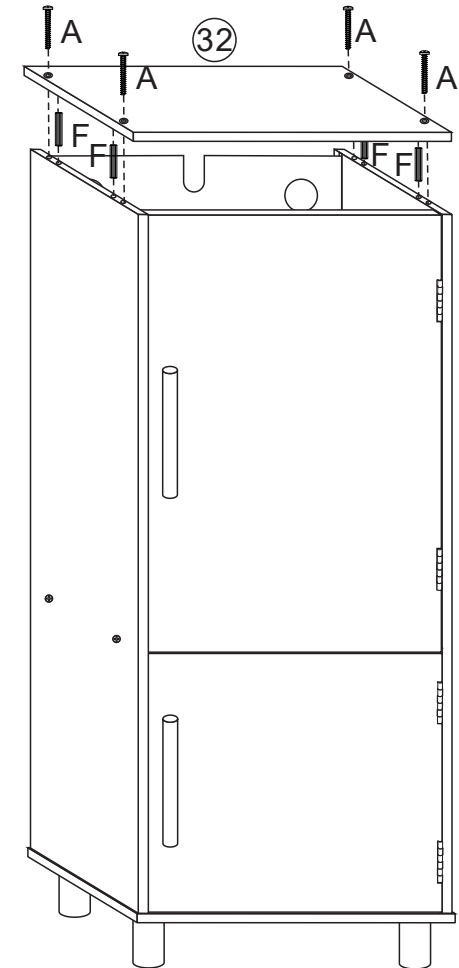
18



19



20



## CAUTION:

ADULT ASSEMBLY IS REQUIRED. HARDWARE CONTAINS SCREWS WITH SHARP POINTS. KEEP UNASSEMBLED PARTS OUT OF THE REACH OF SMALL CHILDREN. ADULT SUPERVISION IS RECOMMENDED. THIS IS A TOY, INTENDED FOR ROLE PLAY ONLY. PLEASE CHECK CONDITION OF ITEM REGULARLY, AS SCREWS MAY LOOSEN WITH USE OVER TIME. TIGHTEN SCREW FITTINGS IF NECESSARY.

**WARNING:** PLEASE SECURE THIS PRODUCT WITH THE SUPPLIED WALL FIXING. IT IS STRONGLY RECOMMENDED THAT THIS PRODUCT IS PERMANENTLY FIXED TO THE WALL. PLEASE SEEK PROFESSIONAL ADVICE IF YOU ARE IN DOUBT OF WHAT FIXING DEVICE TO USE. REGULARLY CHECK THAT THE ANCHOR IS SECURELY MAINTAINED.



## WARNING

CHOKING HAZARD-SMALL PARTS.  
NOT SUITABLE FOR CHILDREN UNDER 3 YEARS.

