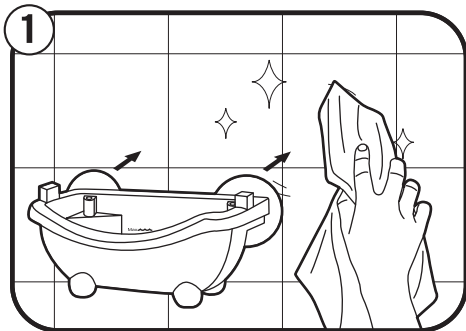


Customer Name: Kmart		Manual Size: W14.8 x H21 cm
Brand Name: Nursery		Box Type: Manual
Country:		Color: K
Item No: 1800	Version: 2023	Pantone:
Date: 24May23		Designer: Jackson

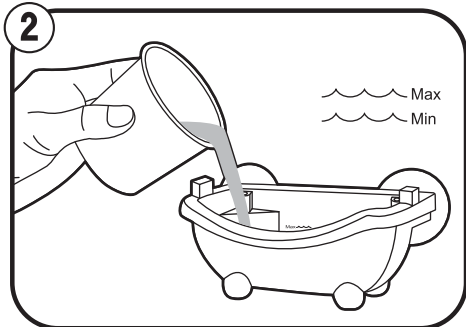
anko

Bubble Up Elephant Bath Toy

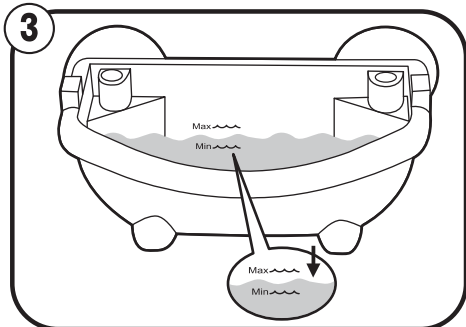
6+
months



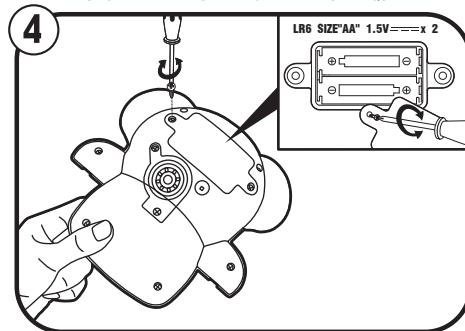
1 Clean and dry mounting surface (glass/tile) and press the suction cups firmly in place.



2 Mix 1 part liquid soap and 4 parts water in a container and pour the bubble solution into the toy bathtub until it reaches the middle of the 'MAX' and 'MIN' mark.

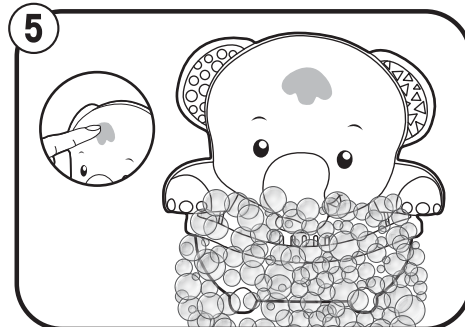


3 Tip: The solution should be at least over the 'MIN' (or no bubbles can be blown) and below the 'MAX' (or the water will overflow when putting the elephant back in the toy bathtub).

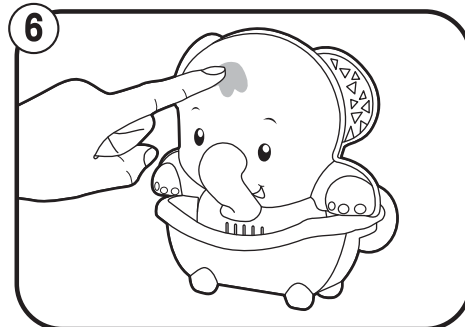


CAUTION: BATTERY INSTALLATION BY AN ADULT REQUIRED.

4 Insert 2 x 1.5V AA batteries (not included) into the battery compartment and tighten it with a screwdriver (not included).



5 Place the elephant in the toy bathtub and press the button on its forehead. The fun starts as the bubbles stream from the front of the elephant and float away!



6 You can stop the bubbles by pressing the same button once again.

ADULT ASSEMBLY AND SUPERVISION REQUIRED.
AFTER USE, DRAIN OUT ANY EXCESS WATER AND ALLOW TO DRY.
PLEASE KEEP THE PACKAGING FOR FUTURE REFERENCE.

MADE IN CHINA
Keycode: 43-314-584
FOR AU / NZ: IMPORTED FOR K MART STORES IN AUSTRALIA AND NEW ZEALAND.