

Assembly Instructions

43330980 TEXTURED ARCHED DISPLAY CASE

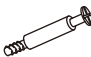










CARE INSTRUCTION: Wipe clean with a soft dry or damp cloth. Keep away from water and direct sunlight. For indoor and domestic use. Check and tighten all parts regularly.

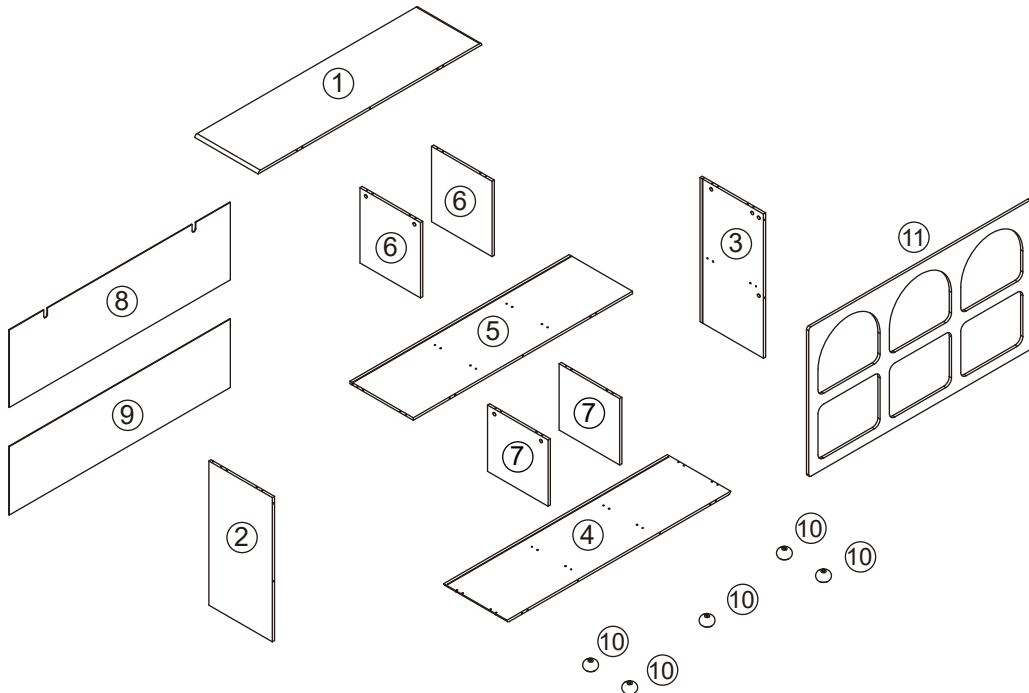
Please lay furniture on the carpet to avoid any dirty or damage on texture during assembly.

WARNINGS: Do not stand or sit on the unit. Do not lean on the product. Do not drag the product. Use only on a flat surface. Do not use until all screws, bolts and knobs are firmly secured. This product contains small parts and sharp points, keep away from children and babies. Adult assembly required. Failure to follow these warnings could result in serious injury.

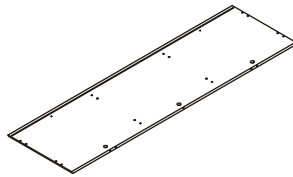
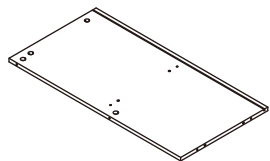
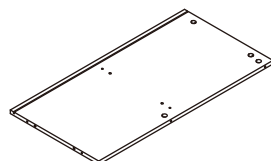
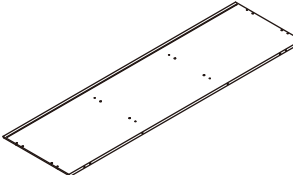
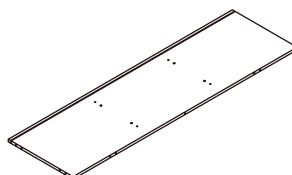
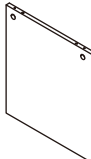
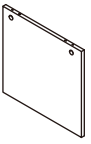
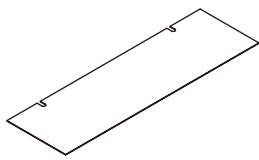
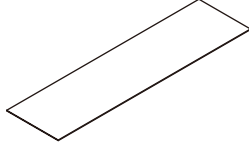

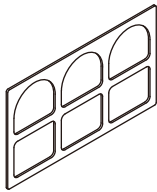
MAXIMUM TOTAL LOADING WEIGHT: 10KGS FOR TOP PANEL, 5KGS FOR EACH CUBE, 40KGS IN TOTAL.

Hardware list

	a		30PCS		g	3X14mm	8PCS
	b		30PCS		h	4X12mm	2PCS
	c	6X30mm	34PCS		i		2PCS
	d	4X30mm	12PCS		j	4X30mm	2PCS
	e		5PCS		k		2PCS
	f		8PCS				

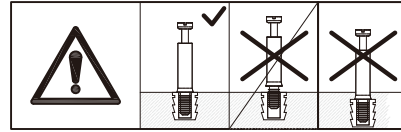
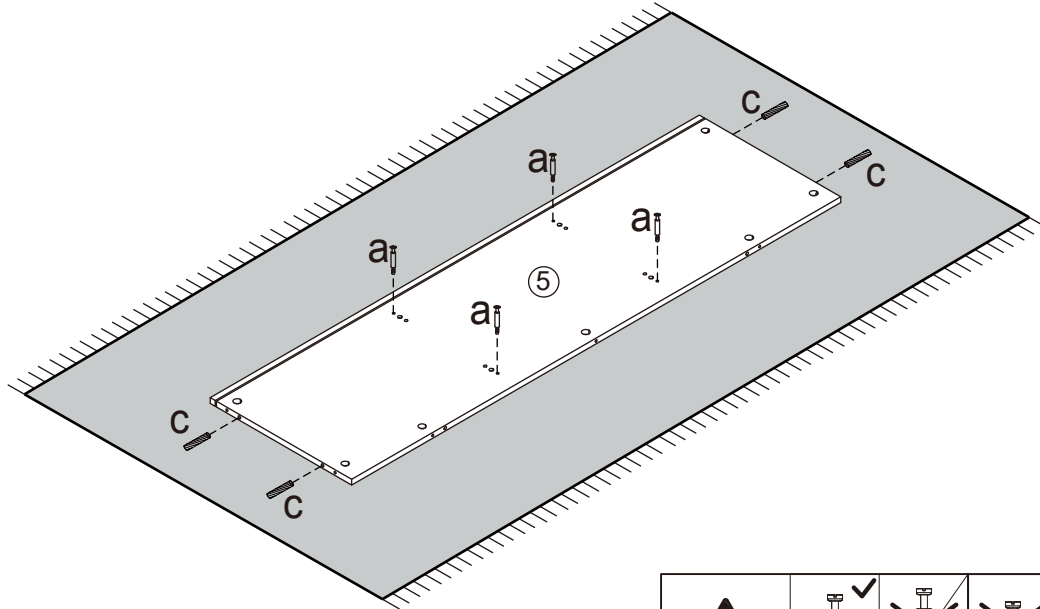


DO NOT TIGHTEN THE SCREWS UNTIL THE PRODUCT IS FULLY ASSEMBLED.


		
① 1 PC	② 1 PC	③ 1 PC
		
④ 1 PC	⑤ 1 PC	⑥ 2 PCS
		
⑦ 2 PCS	⑧ 1 PC	⑨ 1 PC
		
⑩ 5 PCS	⑪ 1 PC	

STEP 1

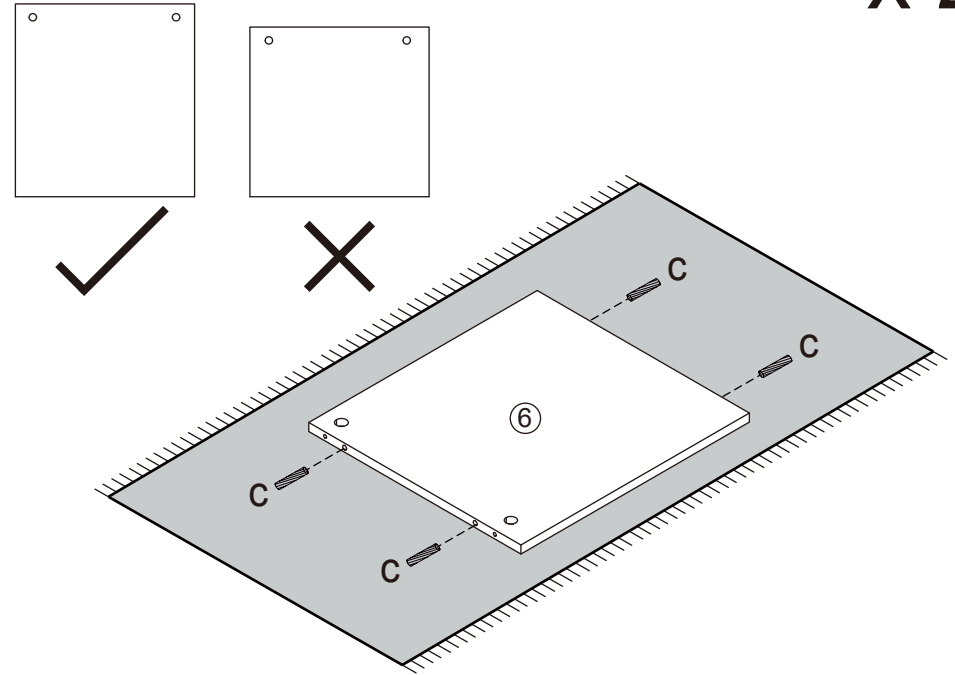
 X4  X4



STEP 2

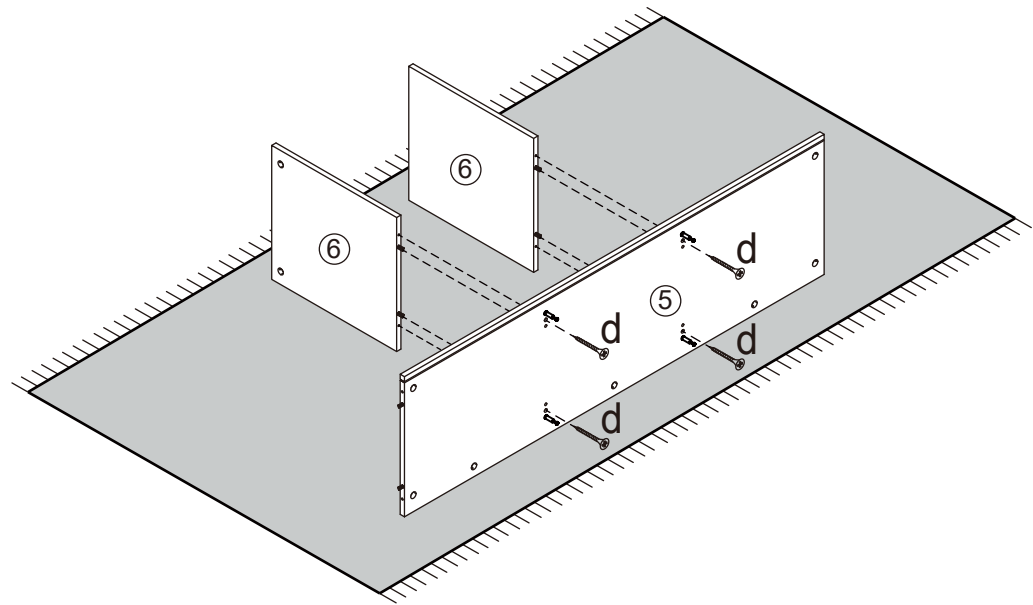
 X8

x 2



STEP 3

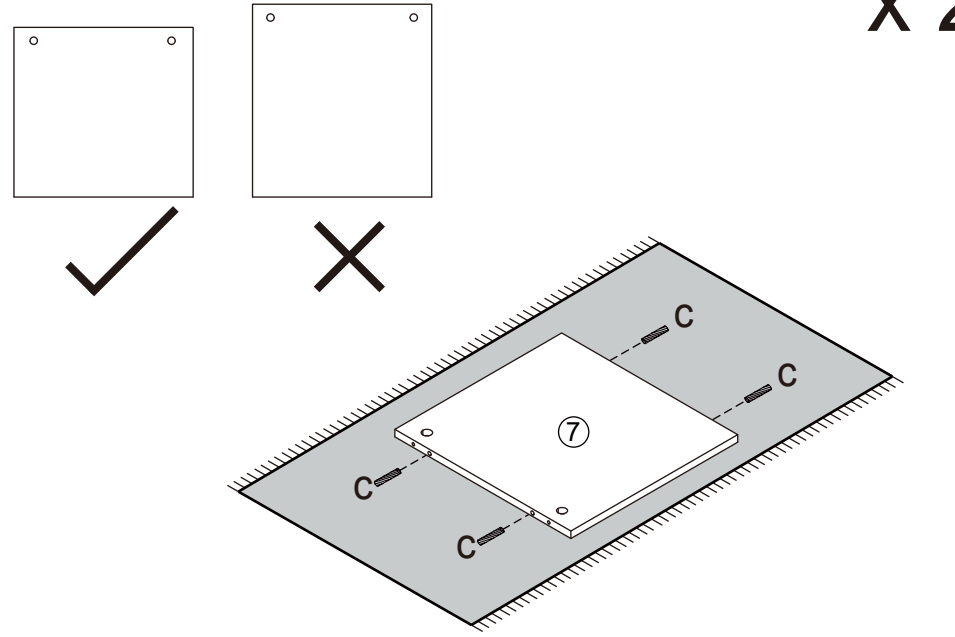
 X4



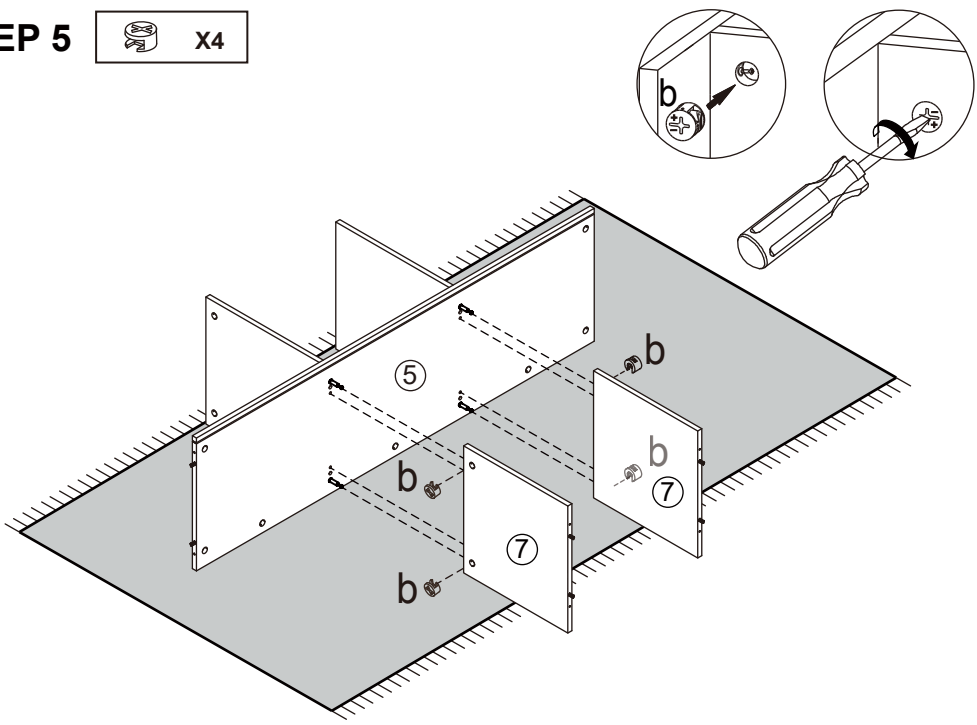
STEP 4



 X8

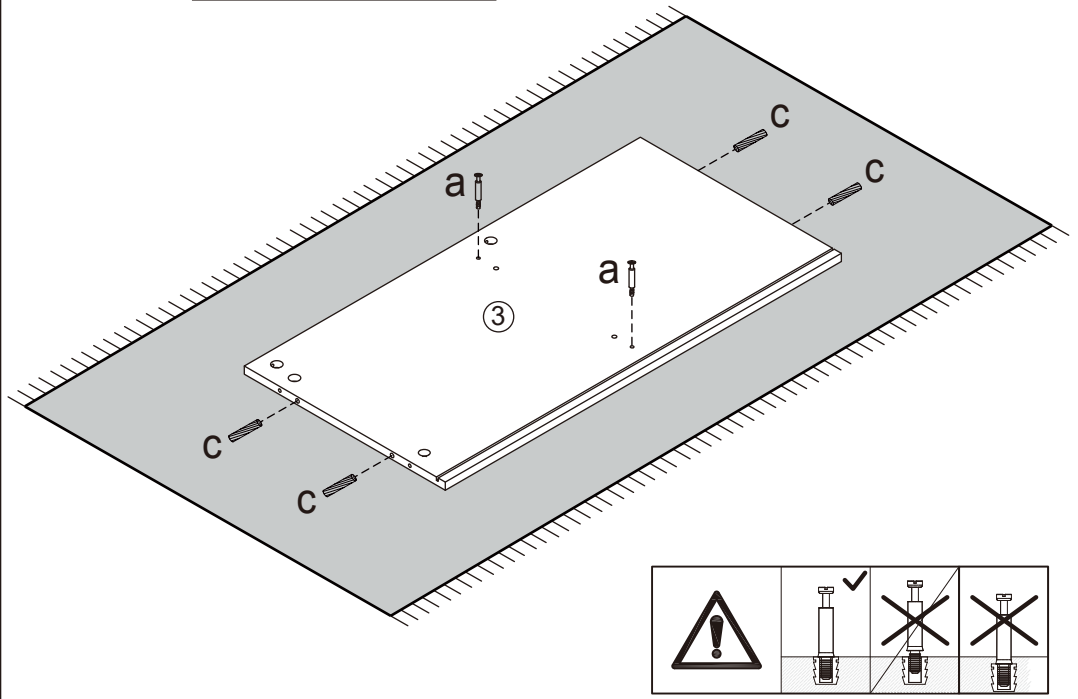
x 2



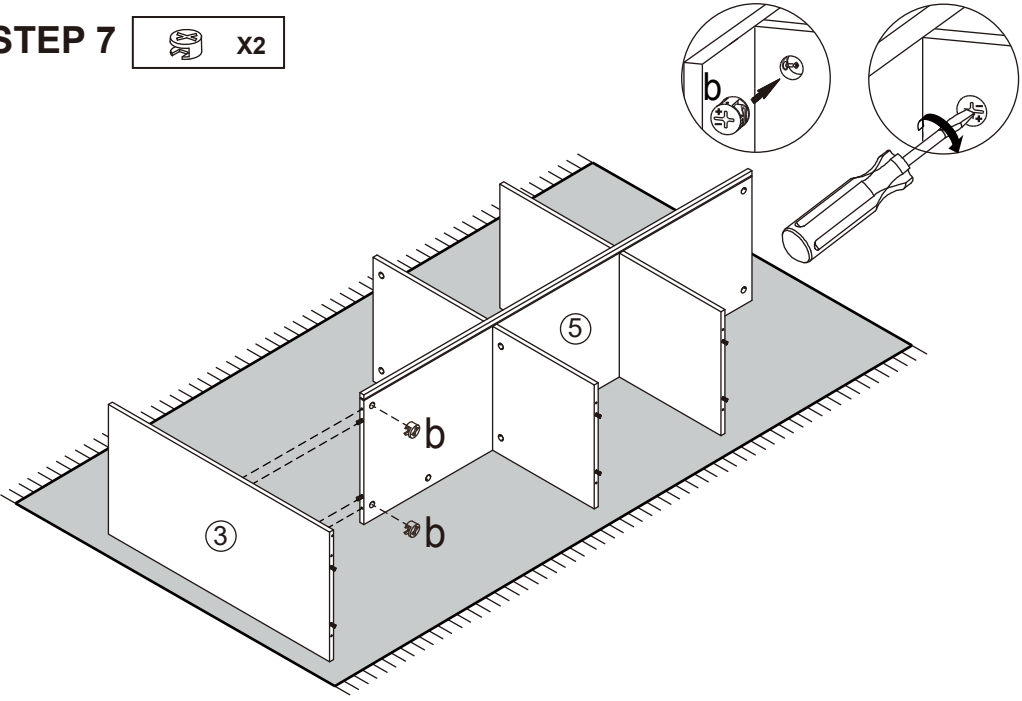
STEP 5  X4





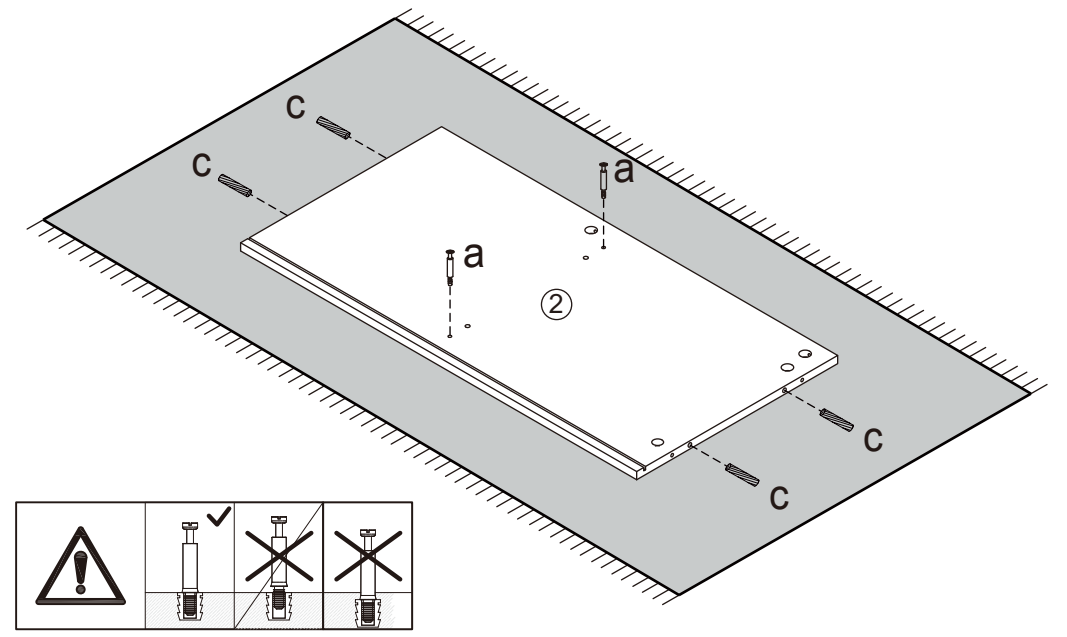
STEP 6  X2  X4



STEP 7  X2

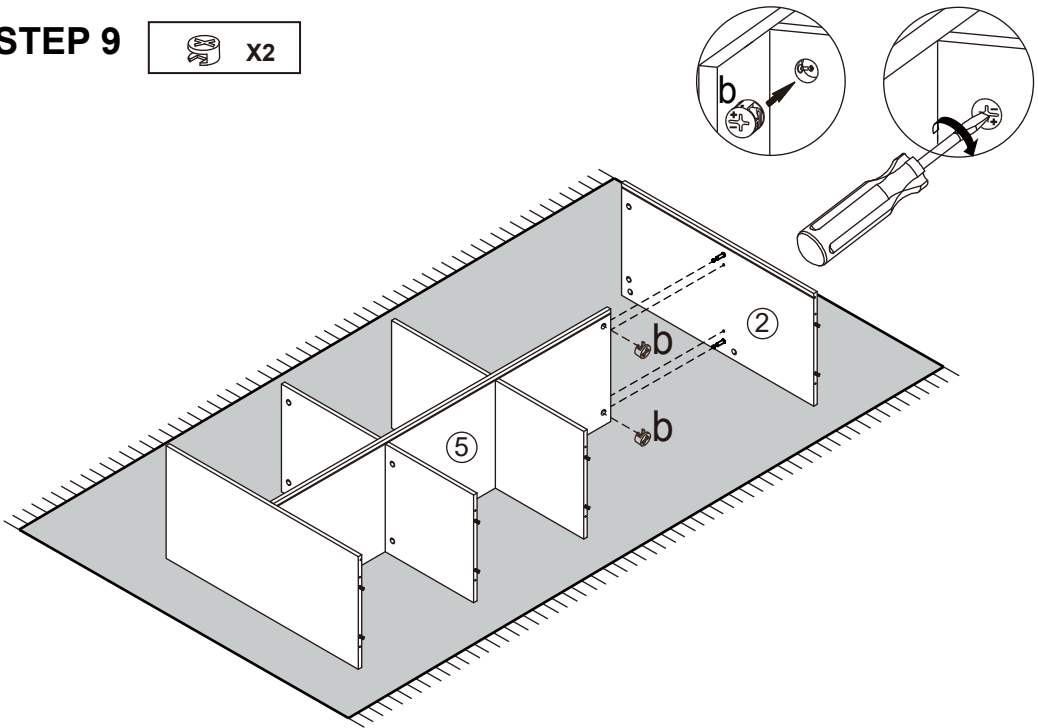


STEP 8  X2  X4

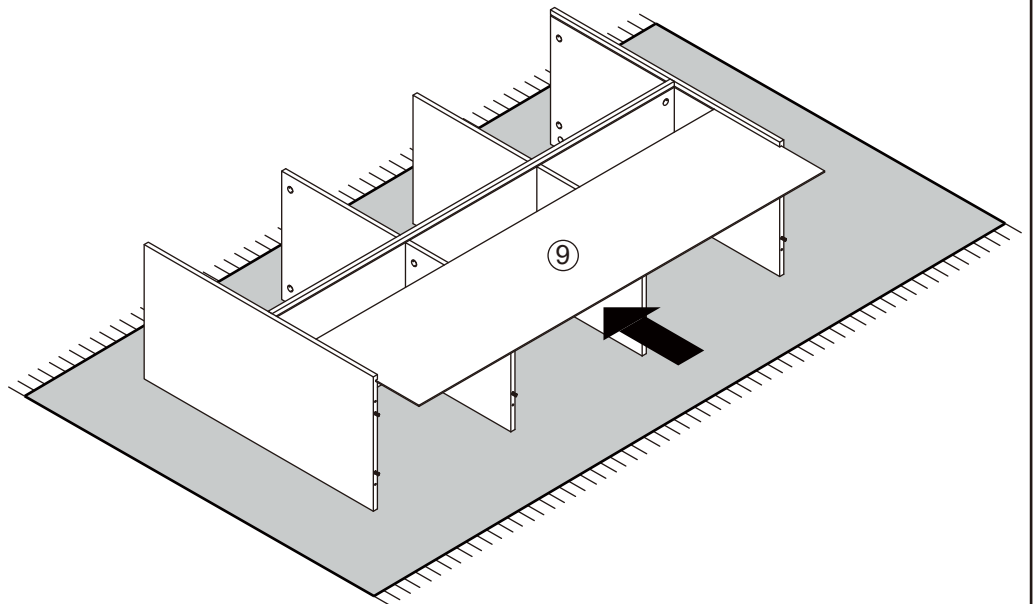


STEP 9

 X2

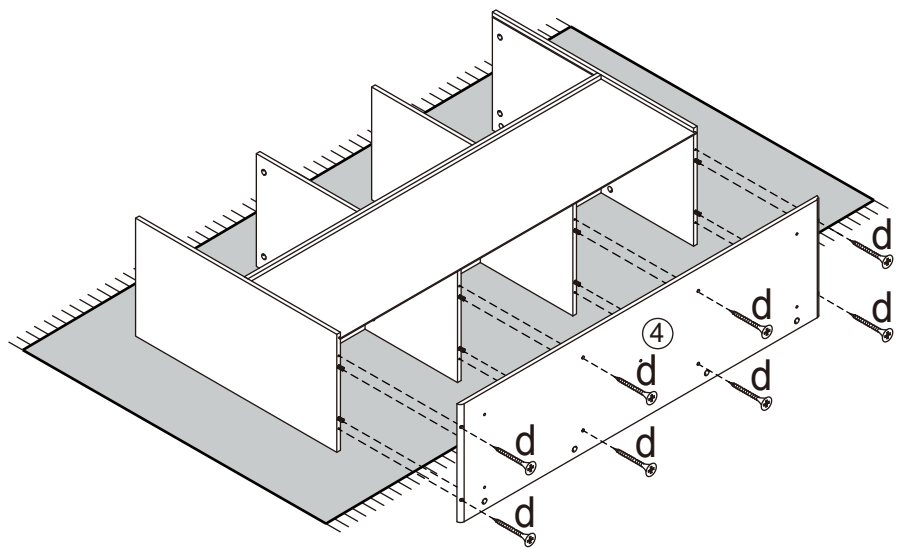


STEP 10

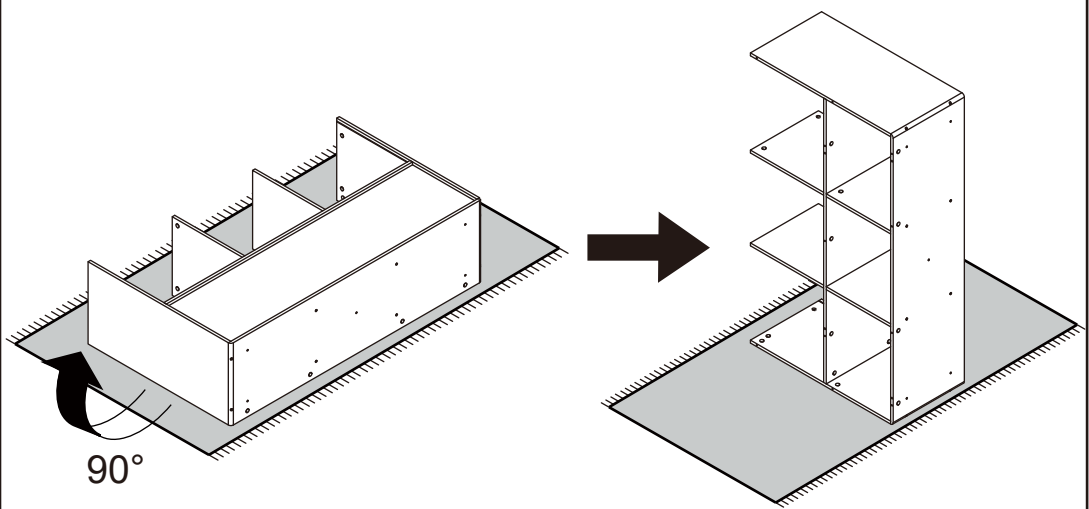


STEP 11

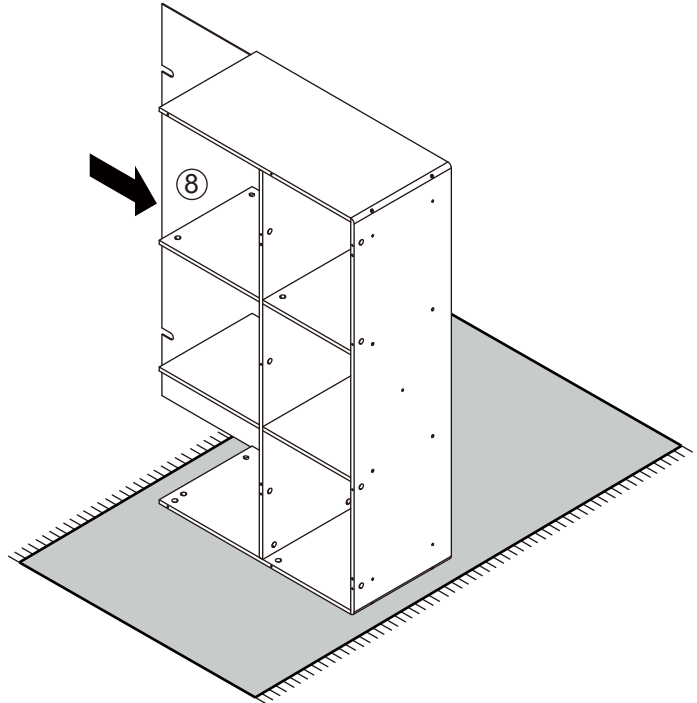
 X8



STEP 12

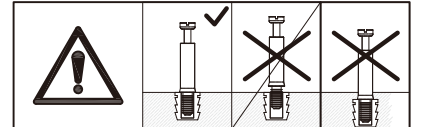
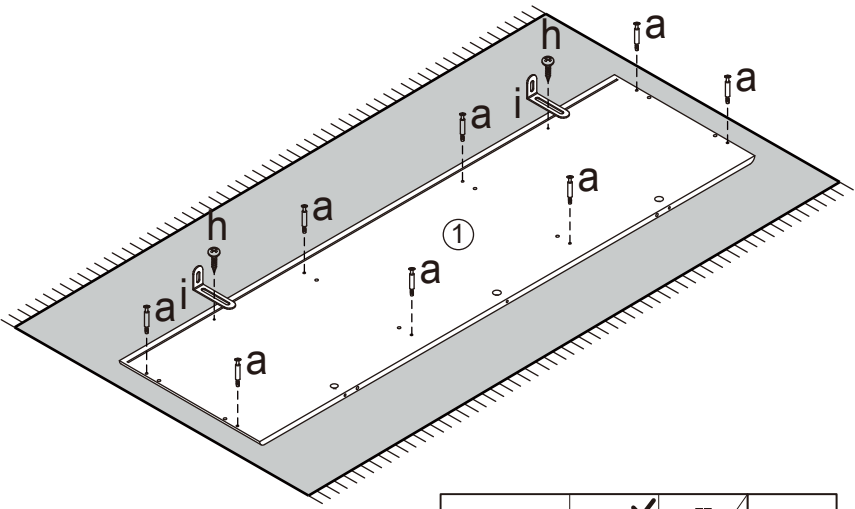
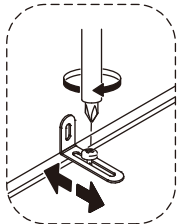
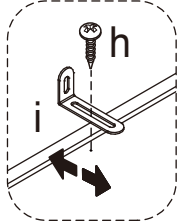


STEP 13



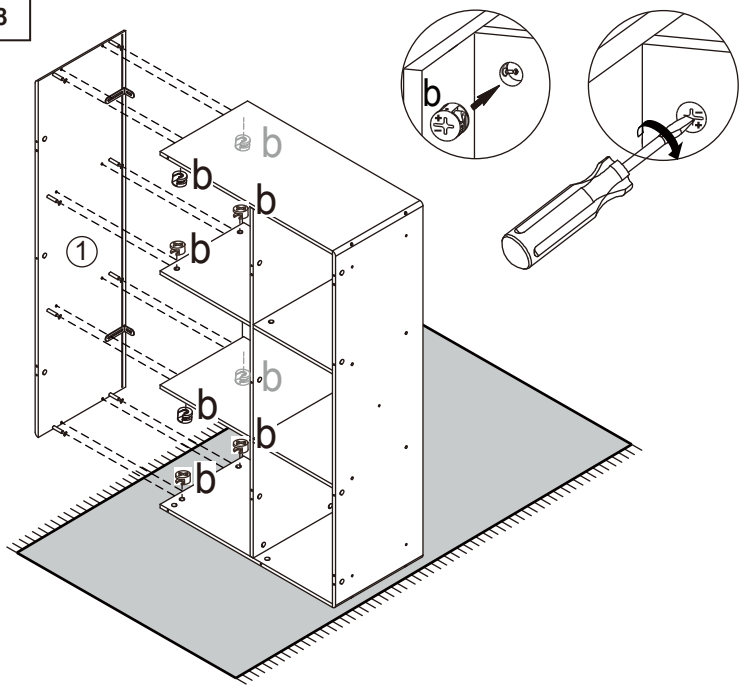
STEP 14

-  x8
-  x2
-  x2



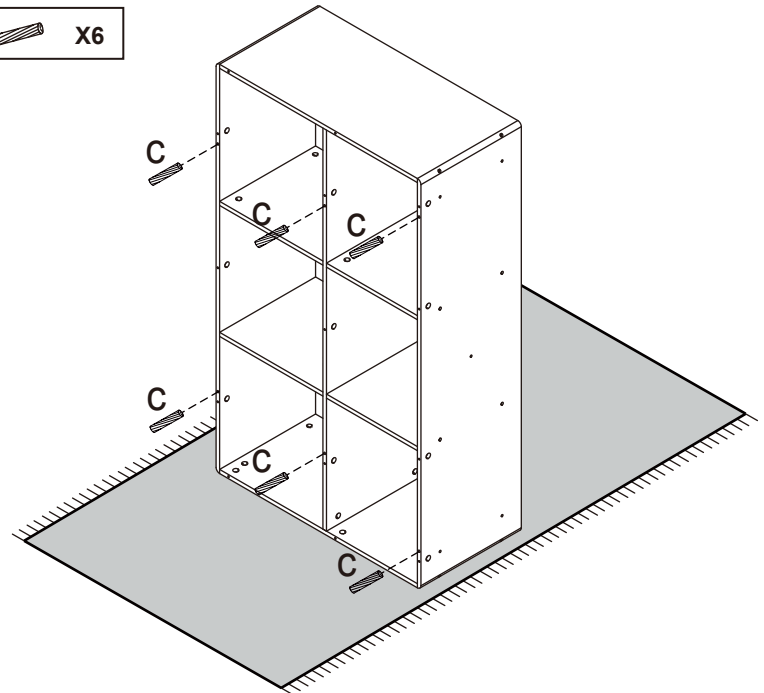
STEP 15

-  x8

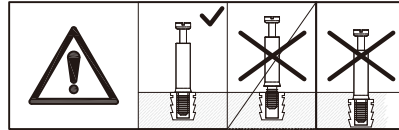
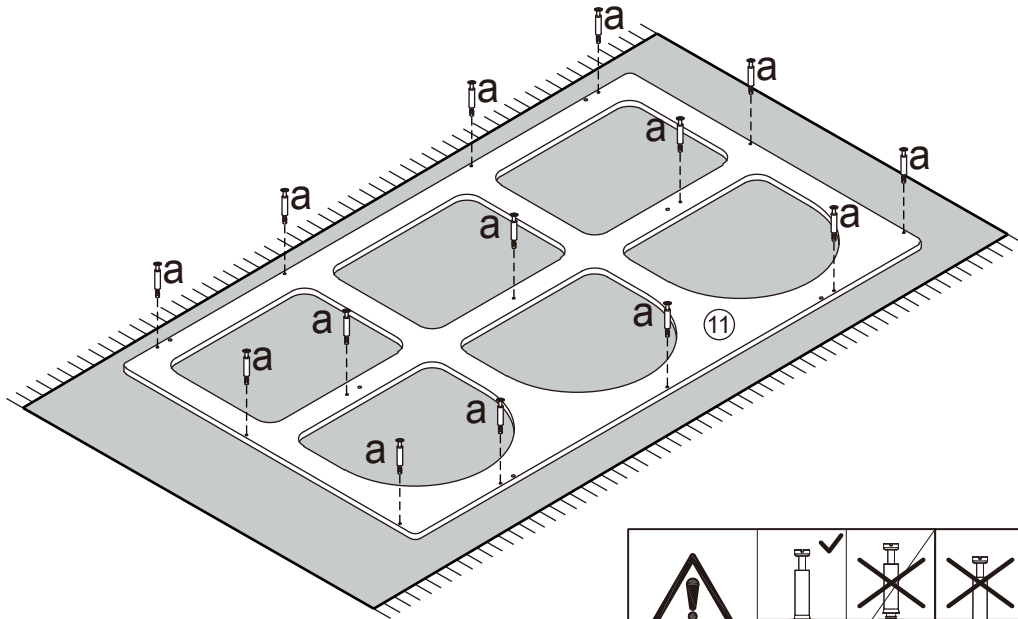


STEP 16

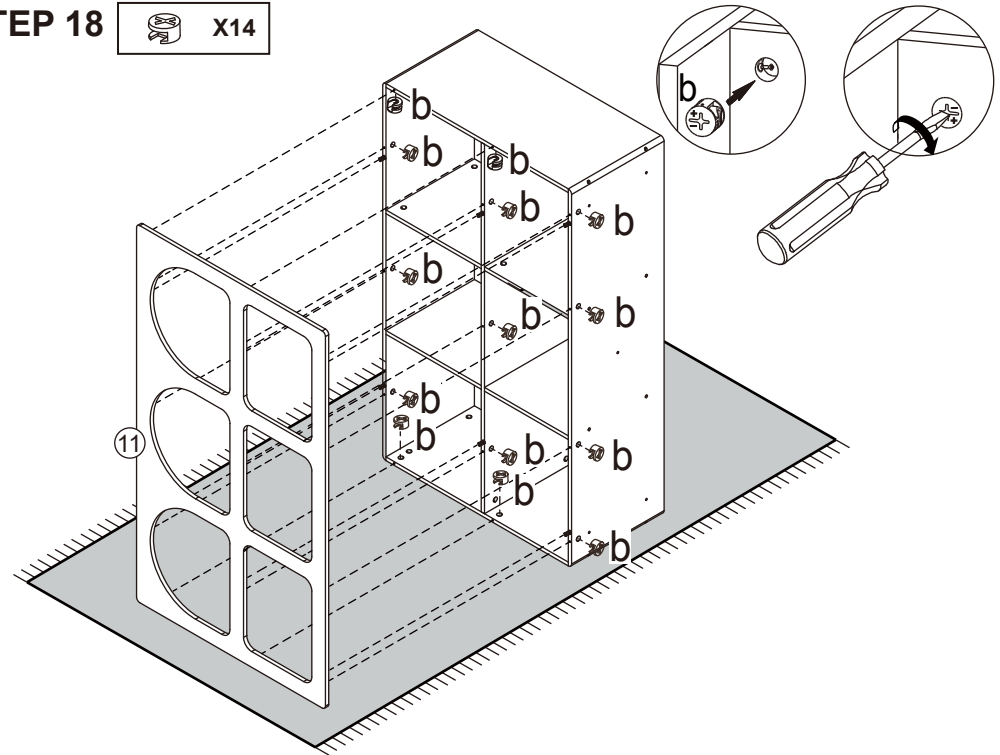
-  x6



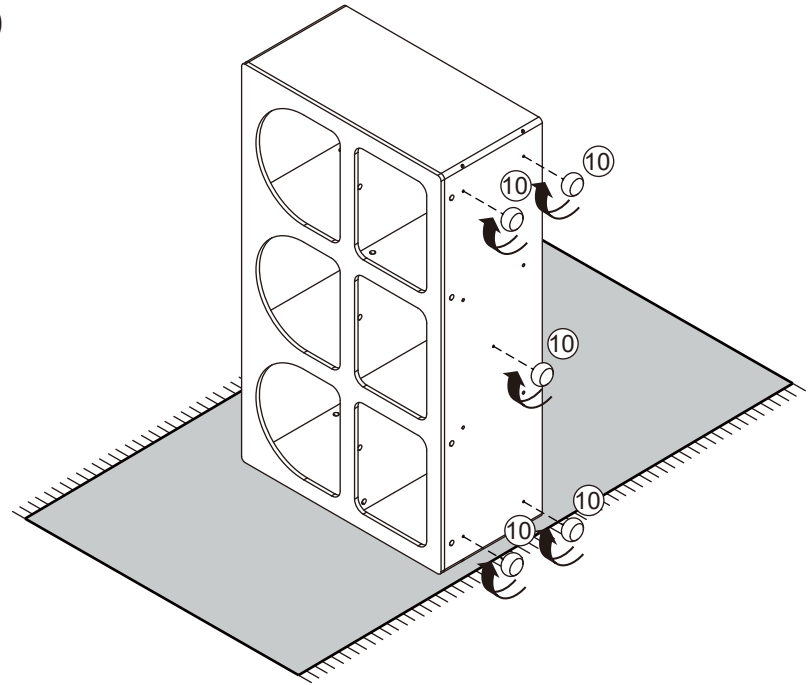
STEP 17  X14



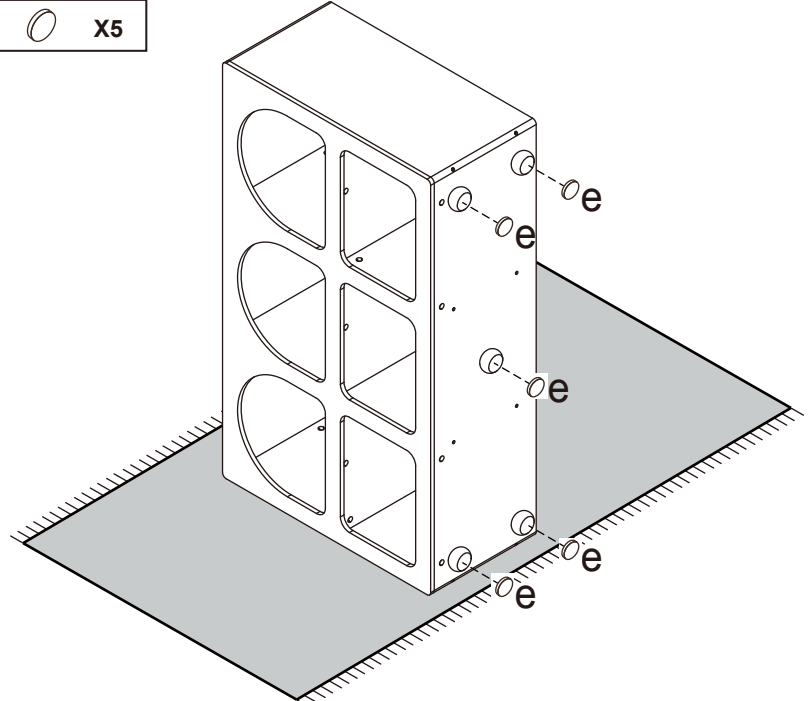
STEP 18  X14



STEP 19



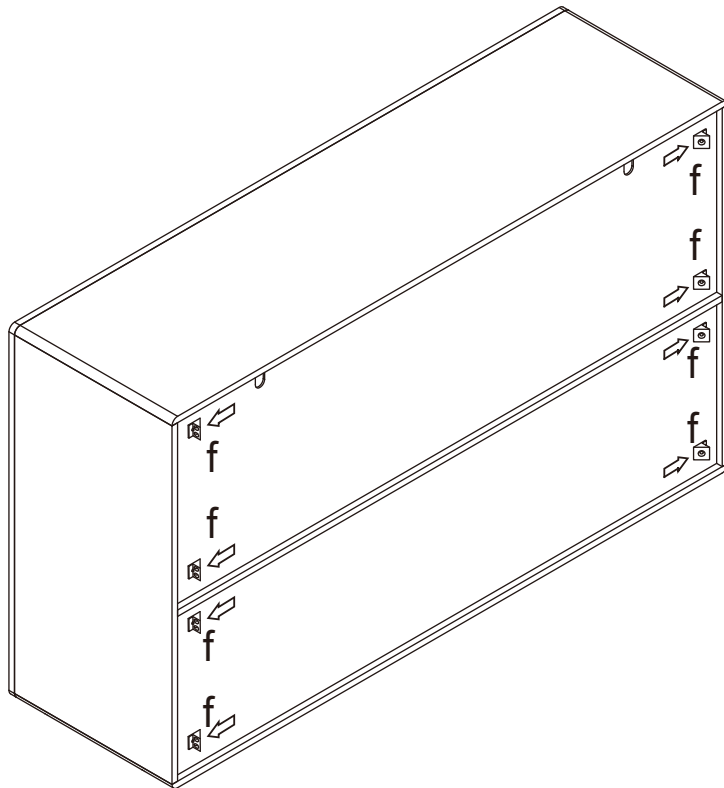
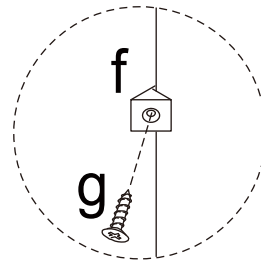
STEP 20  X5



STEP 21

 X8

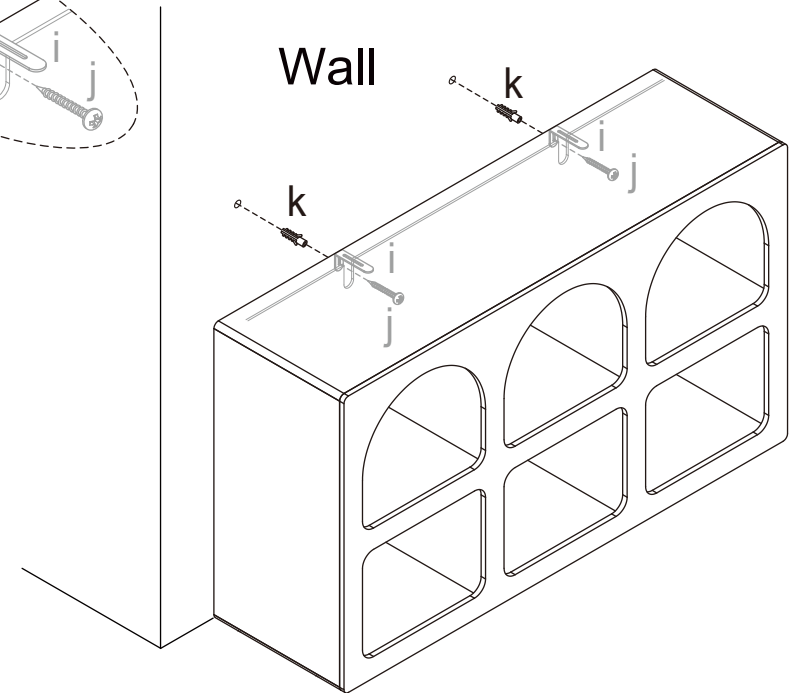
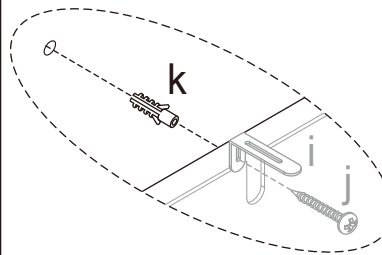
 X8



STEP 22

 X2

 X2



Warning:

- It is strongly recommended that this product is permanently fixed to the wall.
- Please seek professional advice if you are in doubt of what fixing device to use.
- Regularly check that anchors are securely maintained.
- Stability of tall items may be affected by thick pile carpet or uneven floors.
- Do not place unanchored televisions on cabinet.

Caution: for your safety when attaching the anchor fixings, please note the following:

- Check any electrical wires or plumbing inside the wall before drilling any holes (if you are unsure please seek professional advice from a qualified tradesperson).



TOPPLING HAZARD

WARNING: PLEASE SECURE YOUR FURNITURE WITH THE SUPPLIED WALL FIXING. SCAN THE CODE FOR MORE INFORMATION.

