

Assembly Instructions









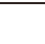
43331321 PANELLED TALL CORNER UNIT









CARE INSTRUCTION: Wipe clean with a soft dry or damp cloth. Keep away from water and direct sunlight. For indoor and domestic use. Check and tighten all parts regularly.

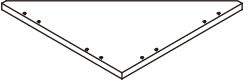
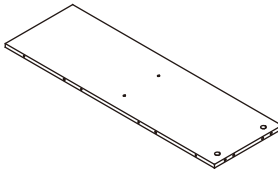
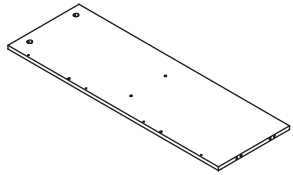
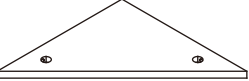

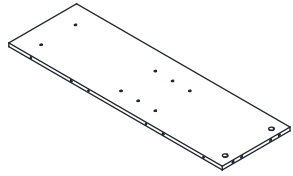
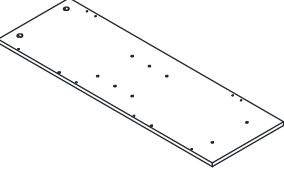
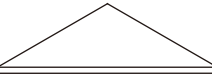
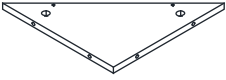
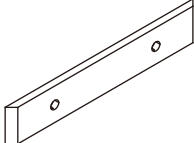

WARNINGS: Do not stand or sit on the unit. Do not lean on the product. Do not drag the product. Use only on a flat surface. Do not use until all screws, bolts and knobs are firmly secured. This product contains small parts and sharp points, keep away from children and babies. Adult assembly required. Failure to follow these warnings could result in serious injury.

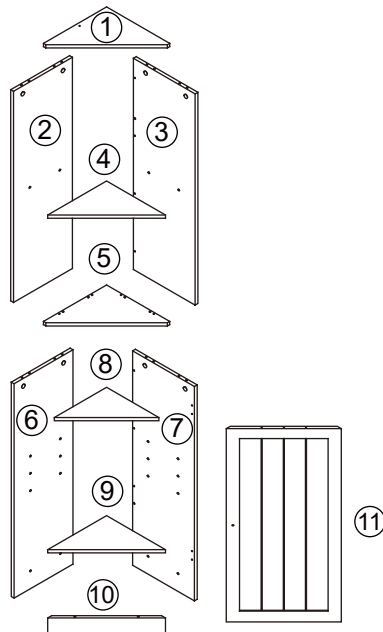
MAXIMUM TOTAL LOADING WEIGHT: 3KG FOR EACH SHELF, 12KG IN TOTAL.

Hardware list

	a		14PCS
	b		14PCS
	c	6X30mm	20PCS
	d	4X30mm	13PCS
	e		4PCS
	f	3X10mm	9PCS
	g	3X14mm	2PCS
	h		1PC
	i		1PC



	j		2PCS
	k		1PC
	l	4X14mm	1PC
	m	4X10mm	1PC
	n		1PC
	o		1PC
	p		14PCS
	Tool required Philips Head Screw Driver (Not Provided)		

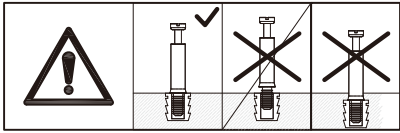
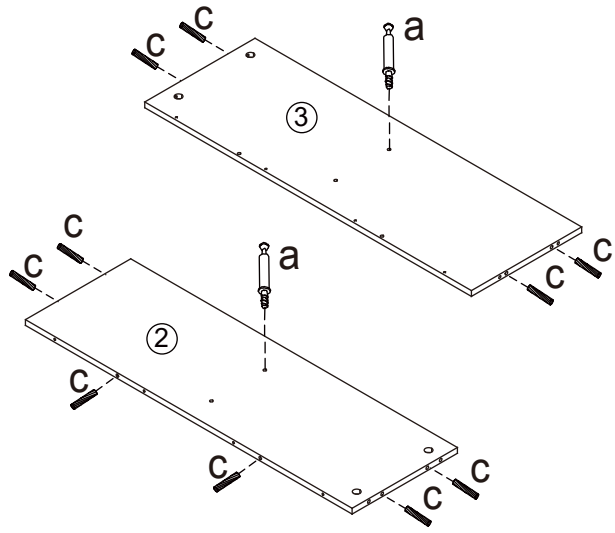
		
① 1 PC	② 1 PC	③ 1 PC
		
④ 1 PC	⑤ 1 PC	⑥ 1 PC
		
⑦ 1 PC	⑧ 1 PC	⑨ 1 PC
		
⑩ 1 PC	⑪ 1 PC	



DO NOT TIGHTEN THE SCREWS UNTIL THE PRODUCT IS FULLY ASSEMBLED.

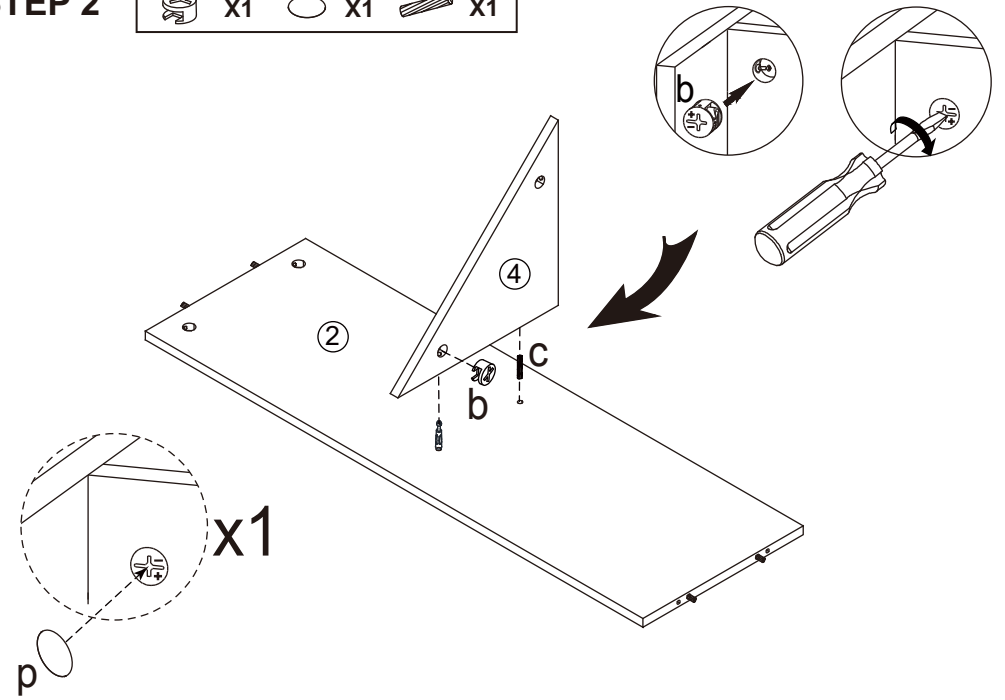
STEP 1

-  X2
-  X10



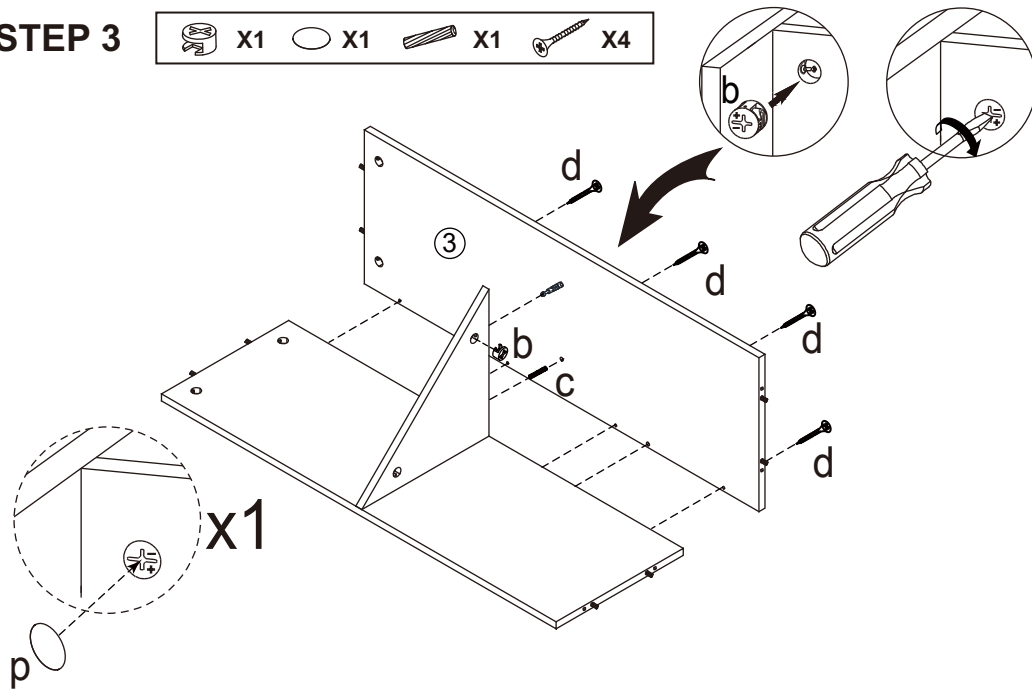
STEP 2

-  X1
-  X1
-  X1



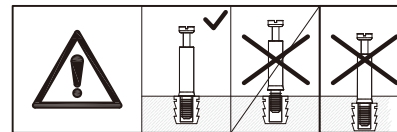
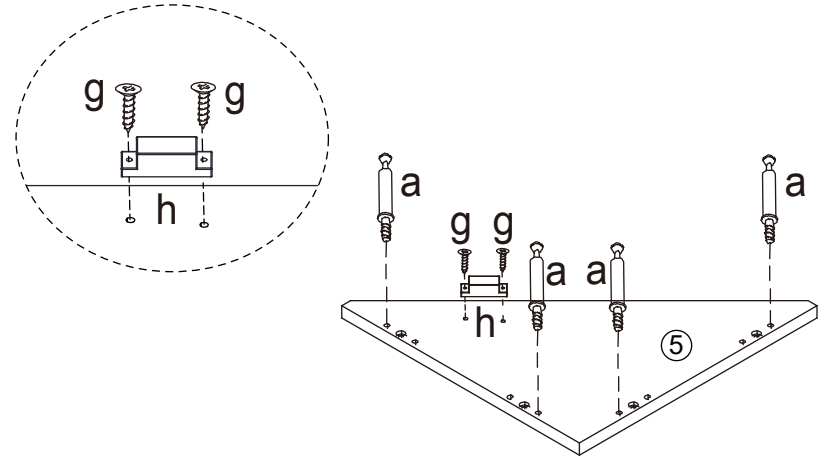
STEP 3

-  X1
-  X1
-  X1
-  X4



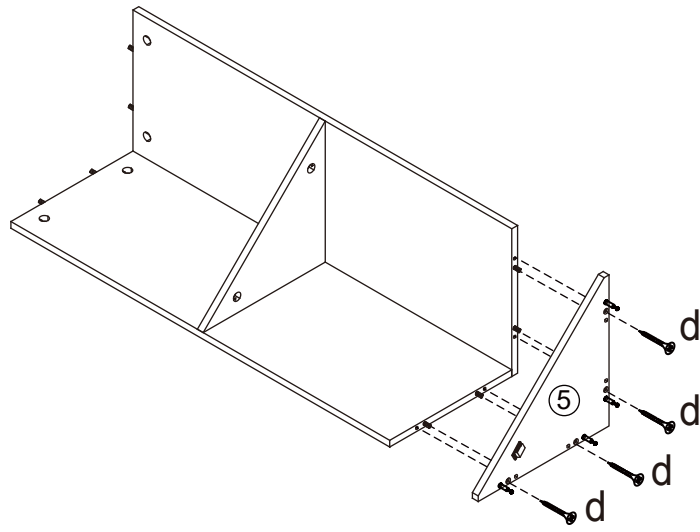
STEP 4

-  X4
-  X1
-  X2



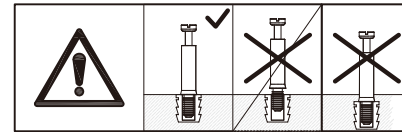
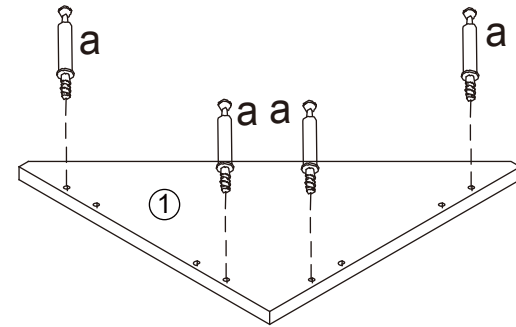
STEP 5

 X4



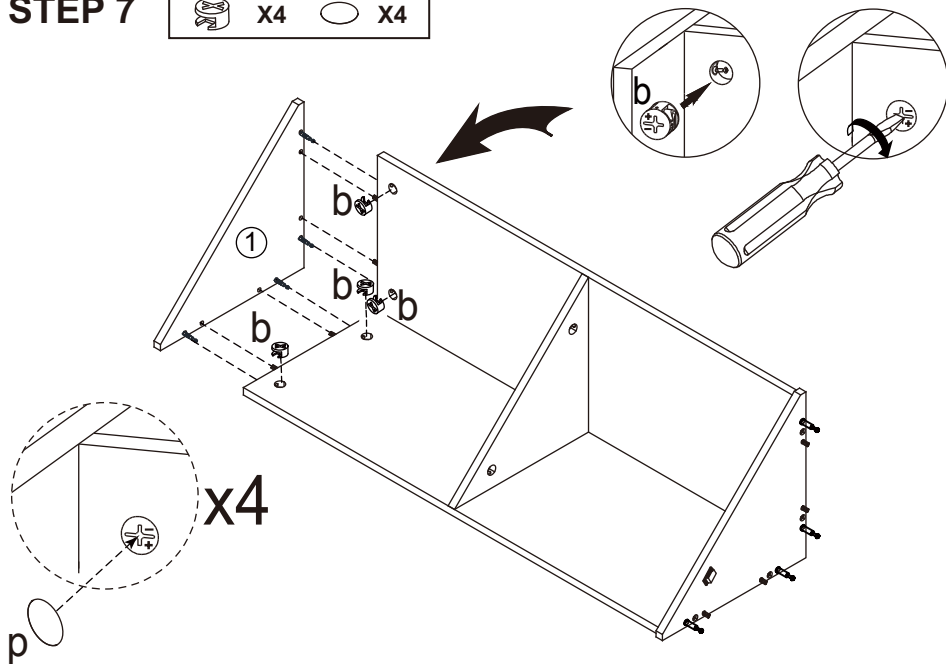
STEP 6

 X4




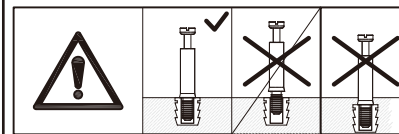
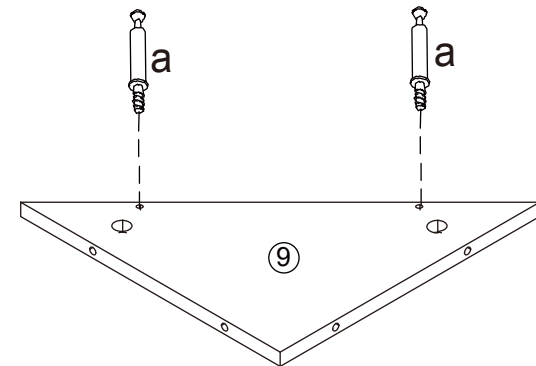
STEP 7

 X4  X4





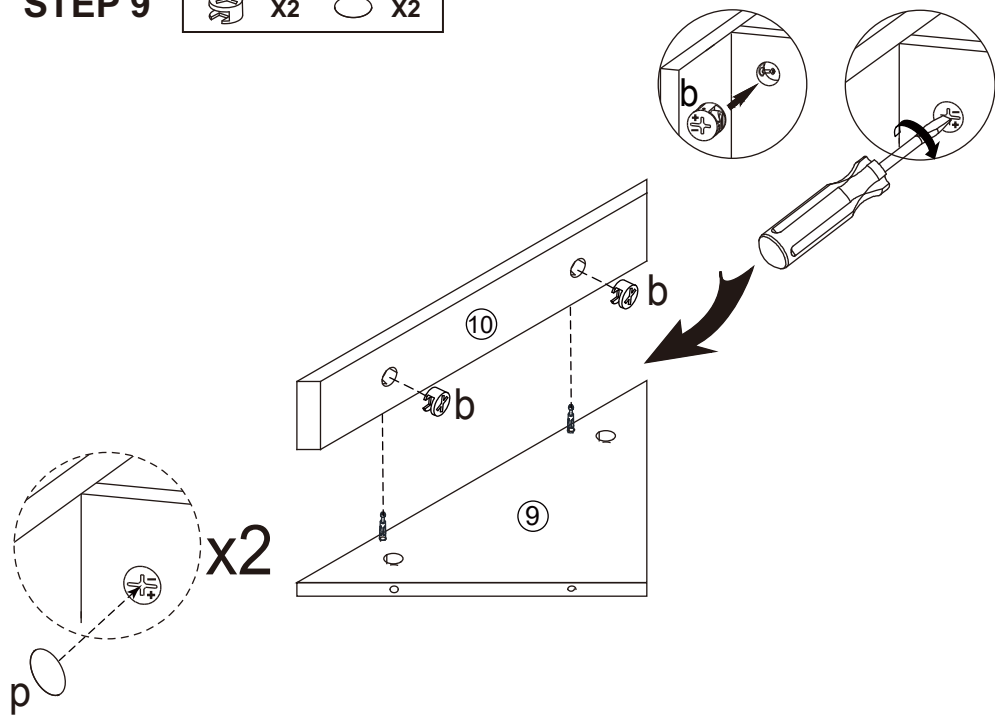
STEP 8

 X2



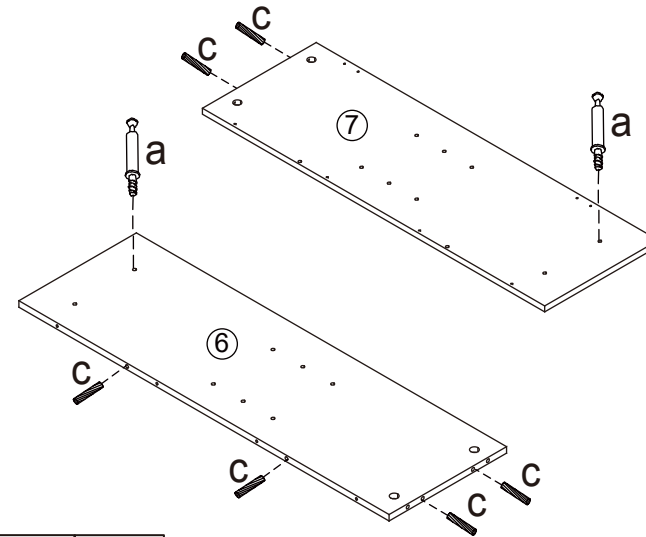
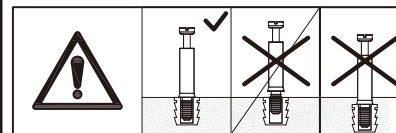
STEP 9

 X2  X2



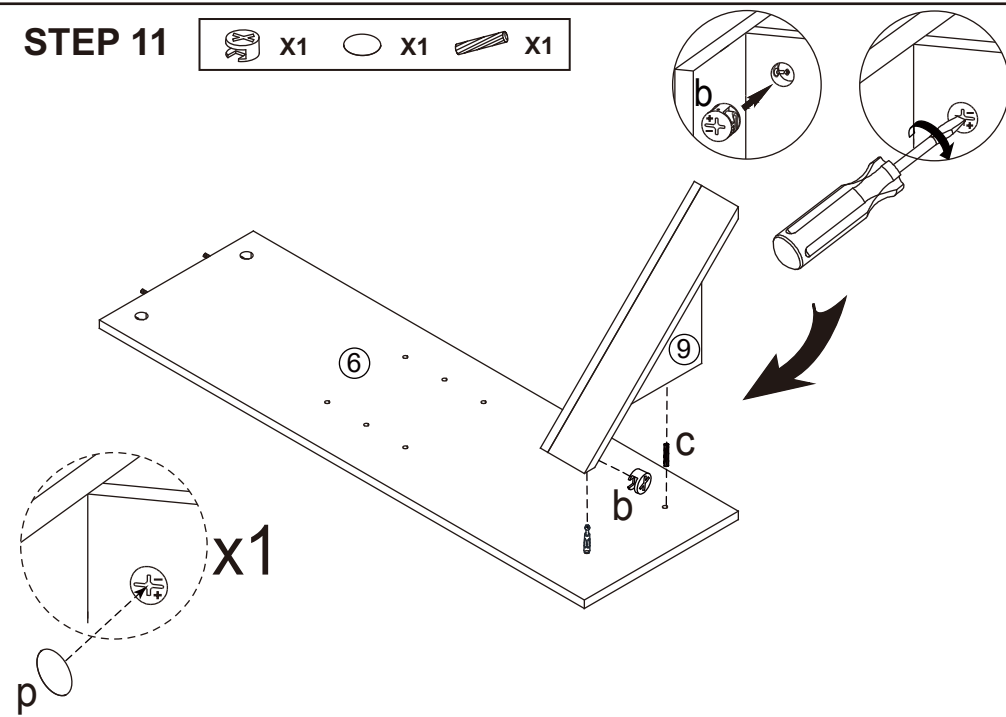
STEP 10

 X2  X6



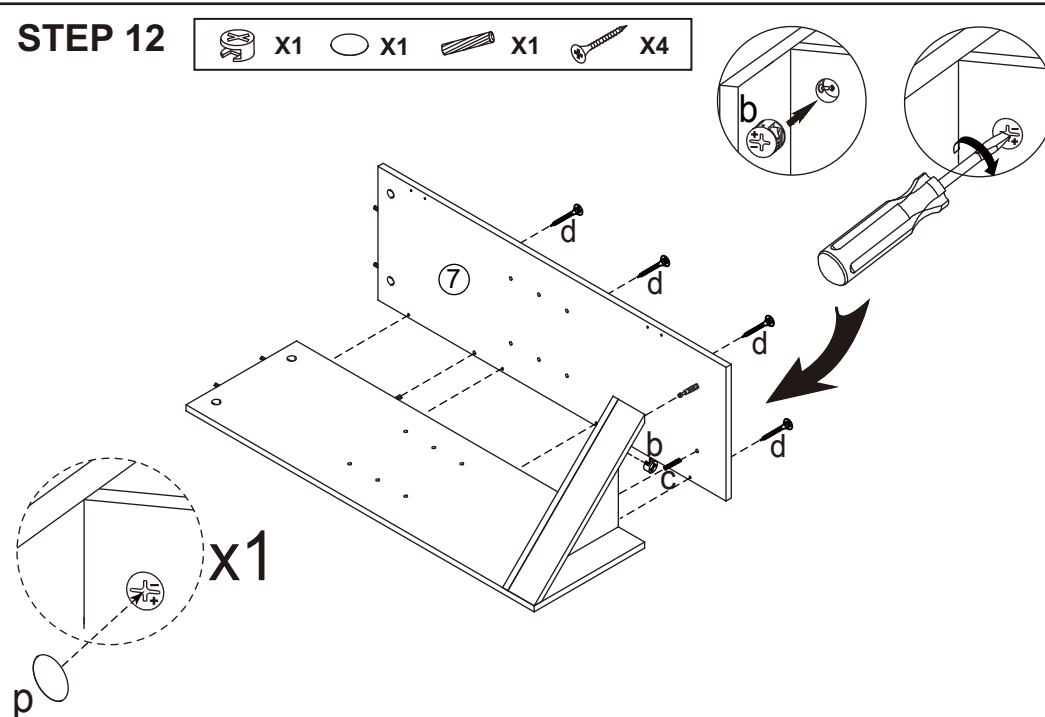
STEP 11

 X1  X1  X1





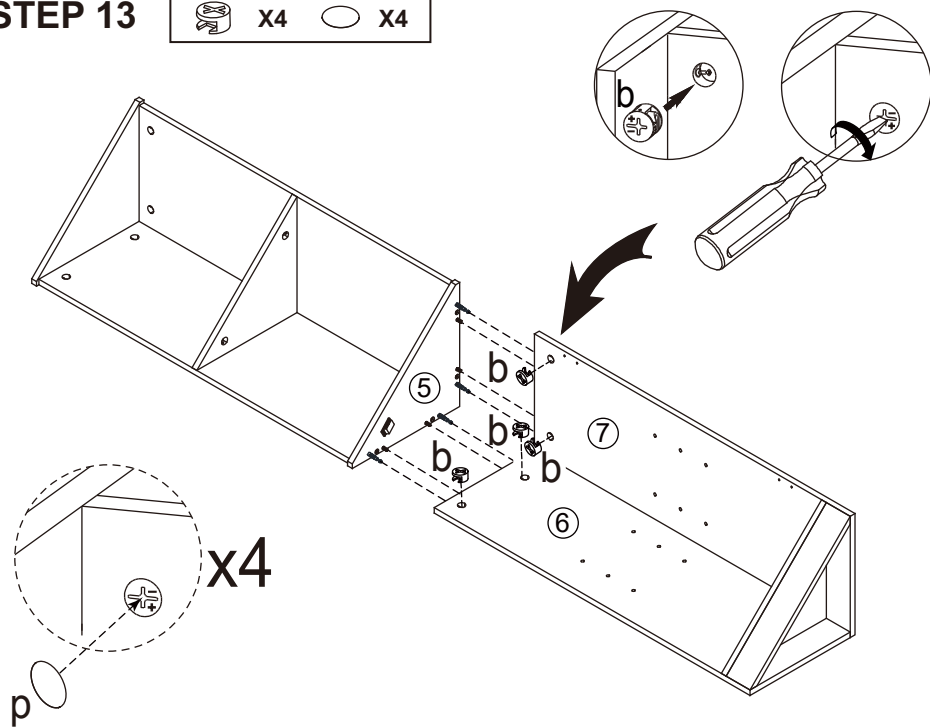
STEP 12

 X1  X1  X1  X4



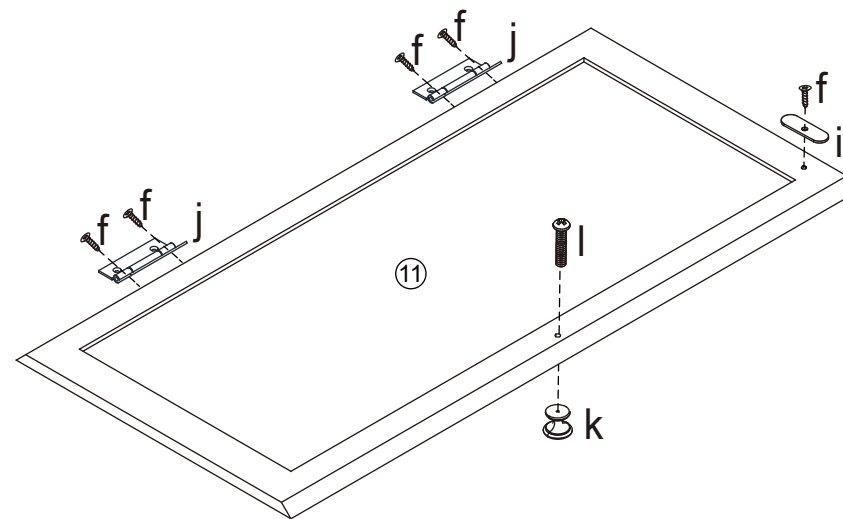
STEP 13

 X4  X4



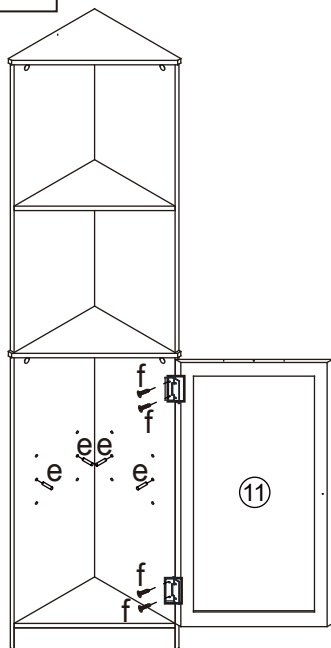
STEP 14

 X5  X1  X2  X1  X1

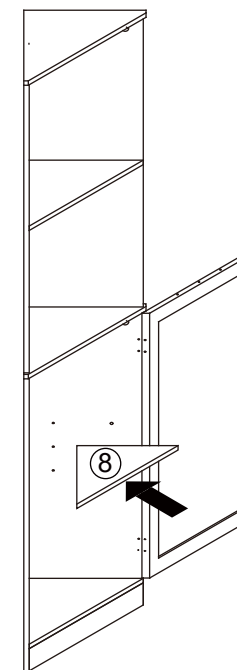


STEP 15

 X4  X4



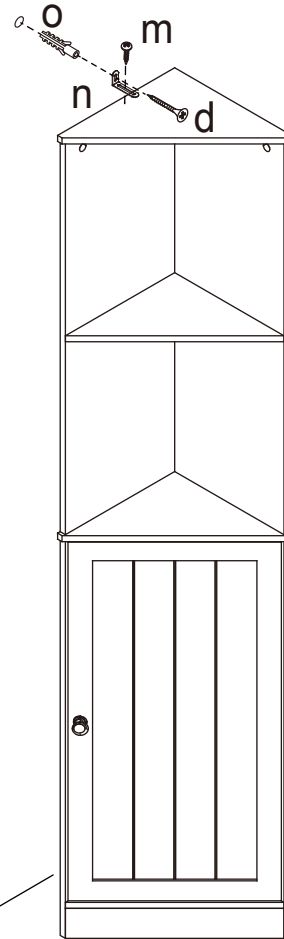
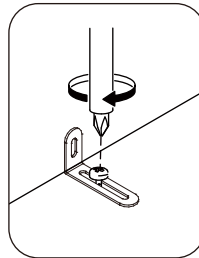
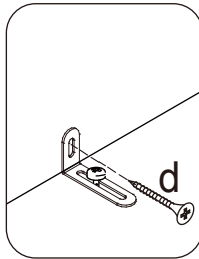
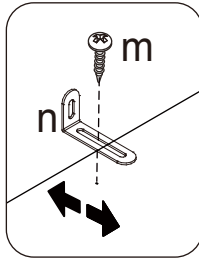
STEP 16



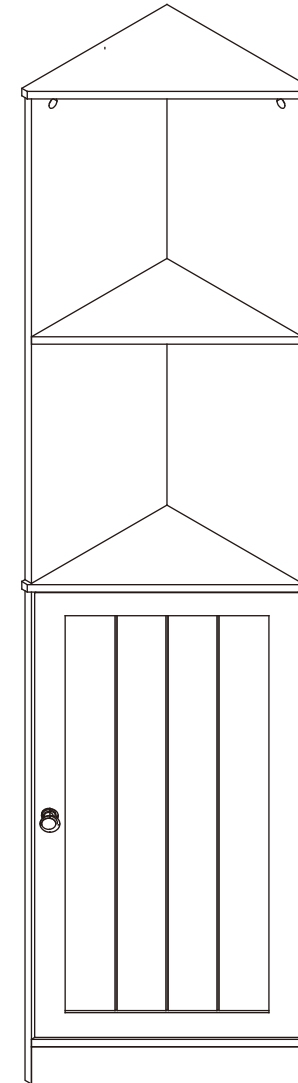
STEP 17



Wall



STEP 18



Warning:

- It is strongly recommended that this product is permanently fixed to the wall.
- Please seek professional advice if you are in doubt of what fixing device to use.
- Regularly check that anchors are securely maintained.
- Stability of tall items may be affected by thick pile carpet or uneven floors.
- Do not place unanchored televisions on cabinet.

Caution: for your safety when attaching the anchor fixings, please note the following:

- Check any electrical wires or plumbing inside the wall before drilling any holes (if you are unsure please seek professional advice from a qualified tradesperson).



TOPPLING HAZARD

WARNING: PLEASE SECURE
YOUR FURNITURE WITH
THE SUPPLIED WALL FIXING.
SCAN THE CODE FOR
MORE INFORMATION.

