

Assembly Instructions

43332892 WAVE HALLWAY TABLE











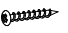



CARE INSTRUCTIONS:

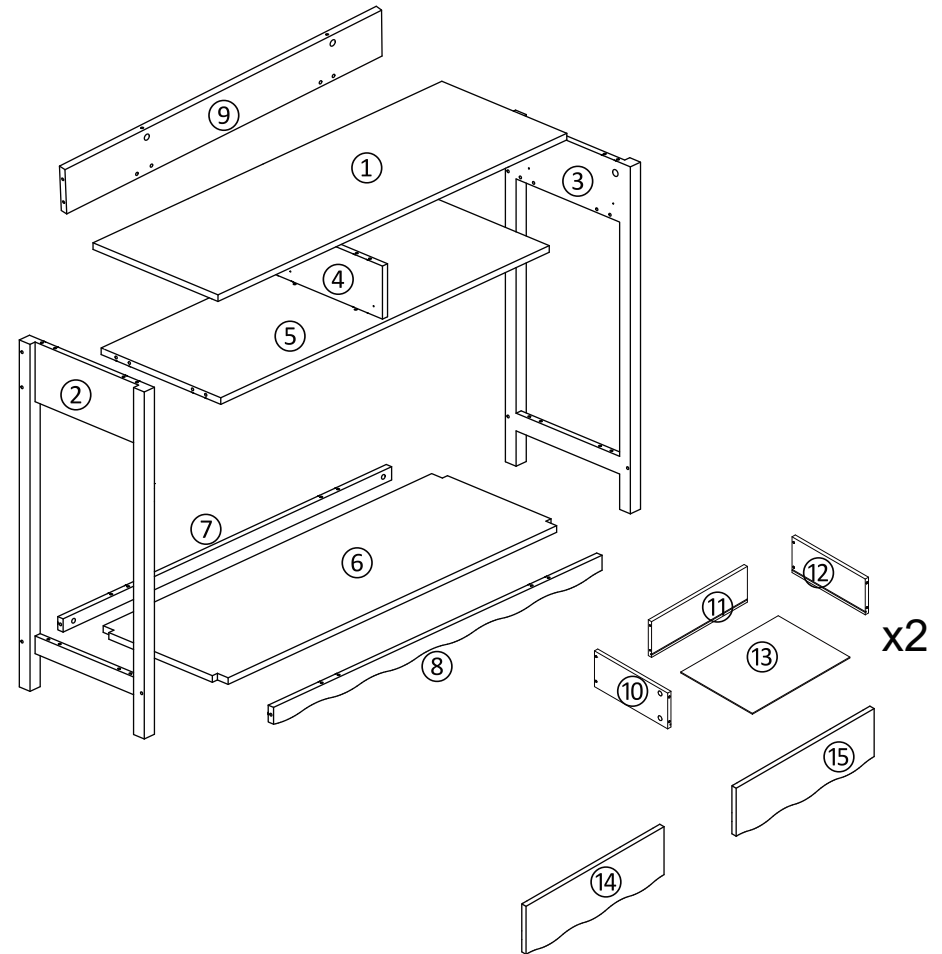
TO BE ASSEMBLED ON A CLEAN, DRY AND SMOOTH SURFACE. WIPE CLEAN WITH A SOFT DAMP CLOTH. NEVER USE SCOURERS, ABRASIVES OR CHEMICAL SOLVENTS. CHECK AND TIGHTEN ALL PARTS REGULARLY. KEEP AWAY FROM MOISTURE AND DIRECT SUNLIGHT. STORE IN A DRY PLACE. FOR INDOOR AND DOMESTIC USE ONLY.

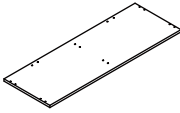
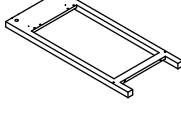
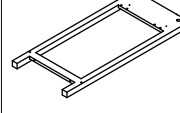
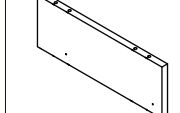
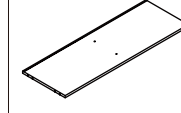

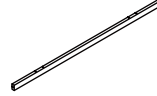

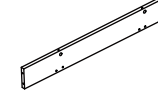
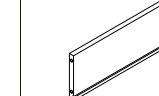
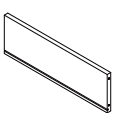
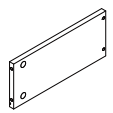
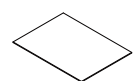
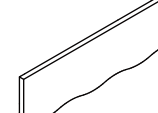
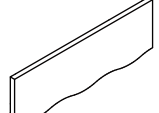
WARNING:

DO NOT STAND, SIT OR LEAN ON THIS UNIT. DO NOT USE THIS UNIT AS A STEP LADDER OR AS A CHOPPING SURFACE. KEEP AWAY FROM CHILDREN AND BABIES. ADULT ASSEMBLY REQUIRED. USE ONLY ON A FLAT SURFACE. DO NOT USE THIS UNIT UNLESS ALL BOLTS AND SCREWS ARE FIRMLY SECURED.

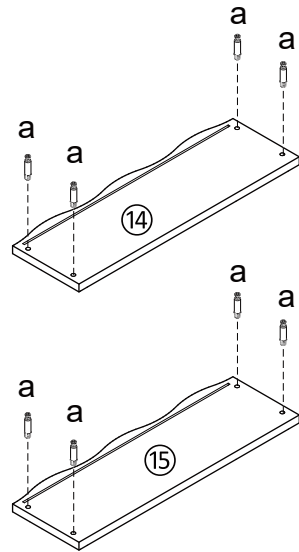
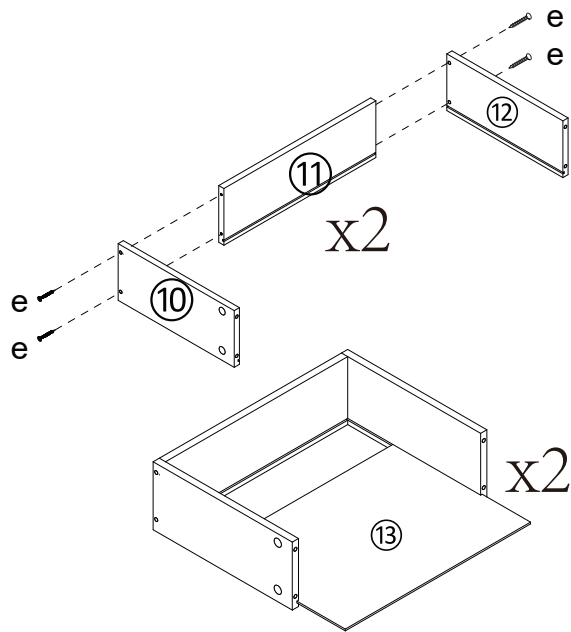
MAXIMUM SAFE LOAD: TOP BOARD: 15KG, DRAWER: 5KG.

	a	M6X35	20pcs		h		8pcs
	b	M15X10	20pcs		i		2pcs
	c	M3X12	24pcs		j		2pcs
	d	M6X30	26pcs		k		2pcs
	e	M4X35	12pcs		l		2pcs
	f	M4X55	8pcs		m		2pcs
	g	M6X55	8pcs		n		2pcs

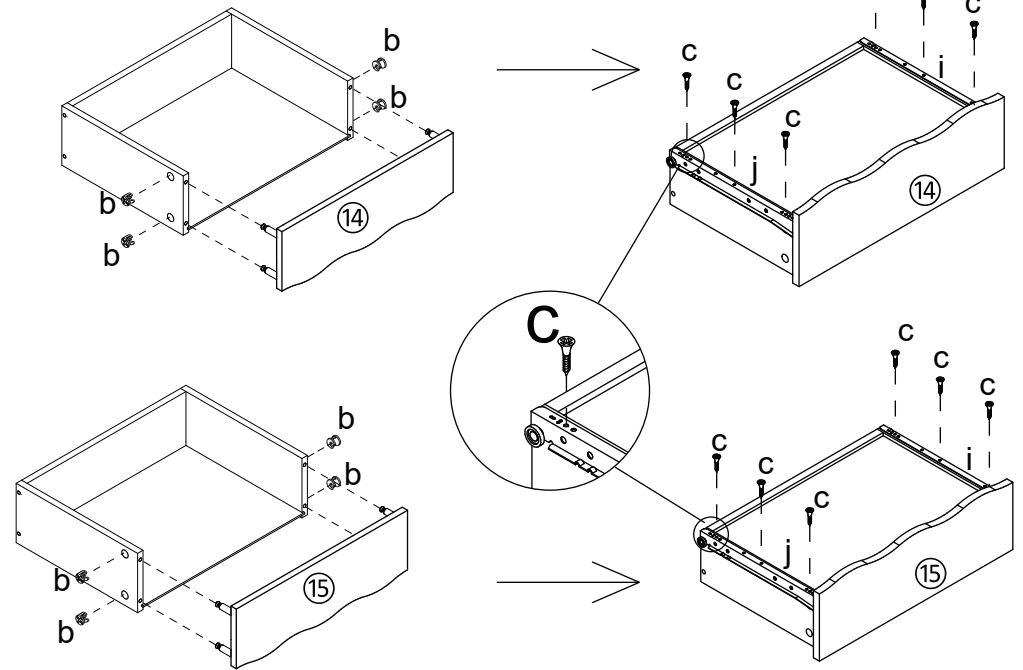


									
①	1pc	②	1pc	③	1pc	④	1pc	⑤	1pc
									
⑥	1pc	⑦	1pc	⑧	1pc	⑨	2pcs	⑩	2pcs
									
⑪	2pcs	⑫	2pcs	⑬	2pcs	⑭	1pc	⑮	1pc

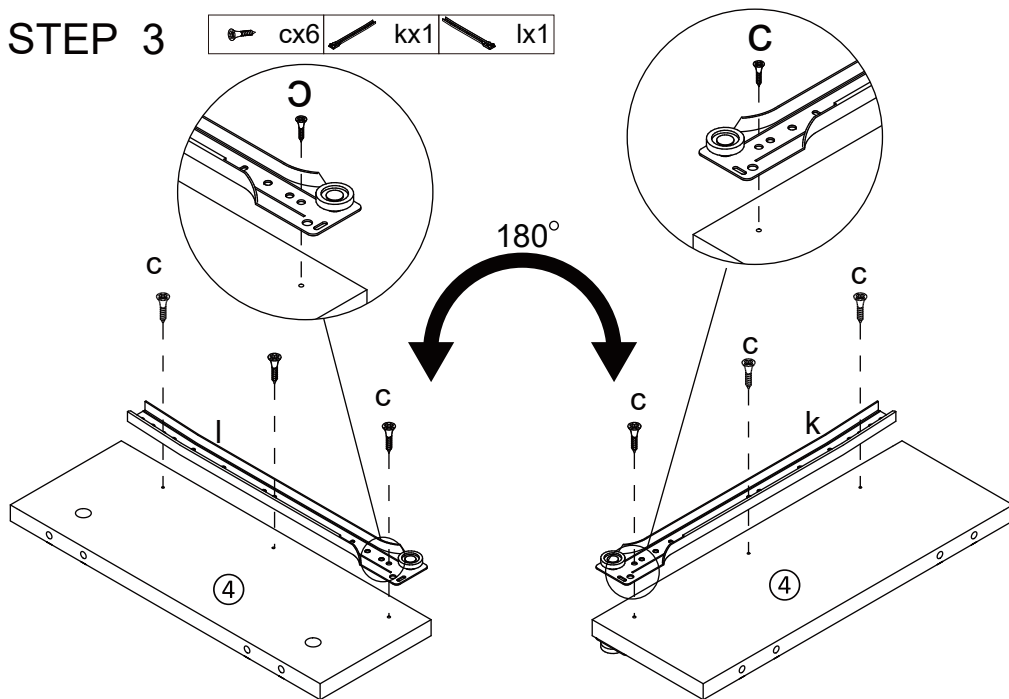
STEP 1 ax8 ex8



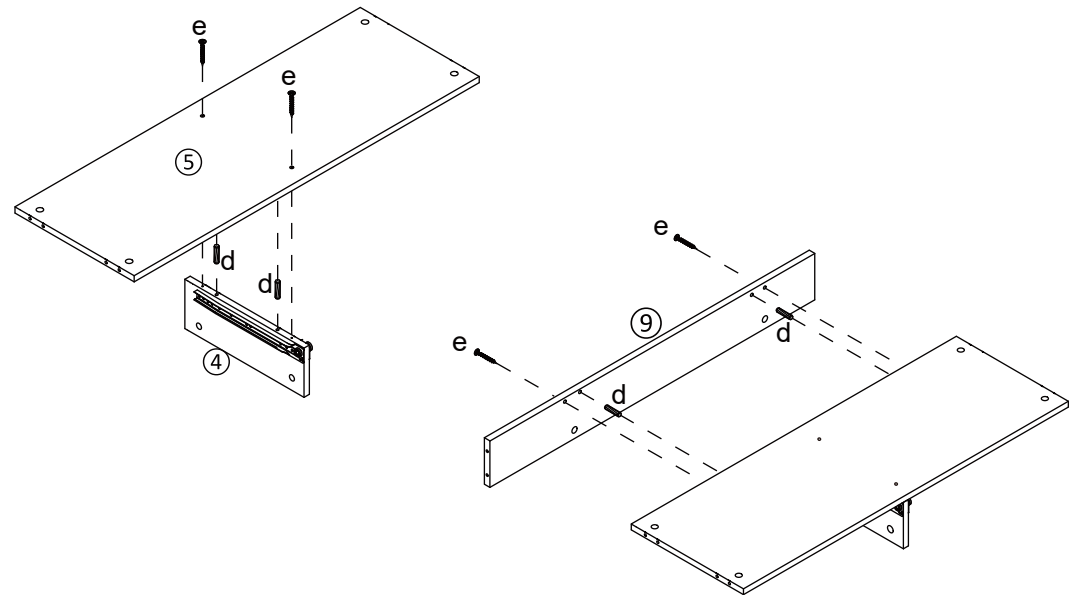
STEP 2 bx8 cx12 ix2 jx2



STEP 3 cx6 kx1 lx1

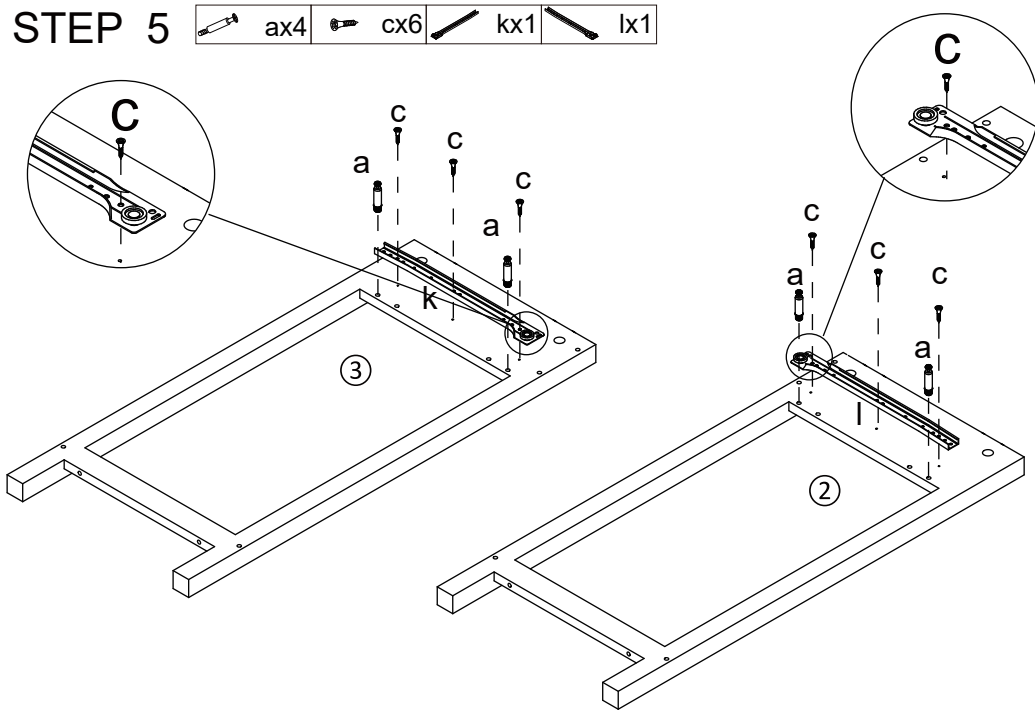


STEP 4 ex4 dx4



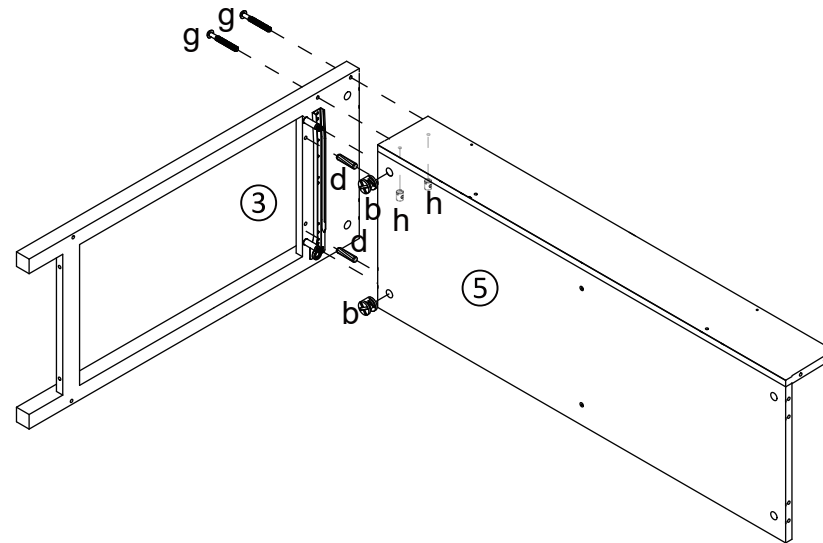
STEP 5

ax4 cx6 kx1 lx1



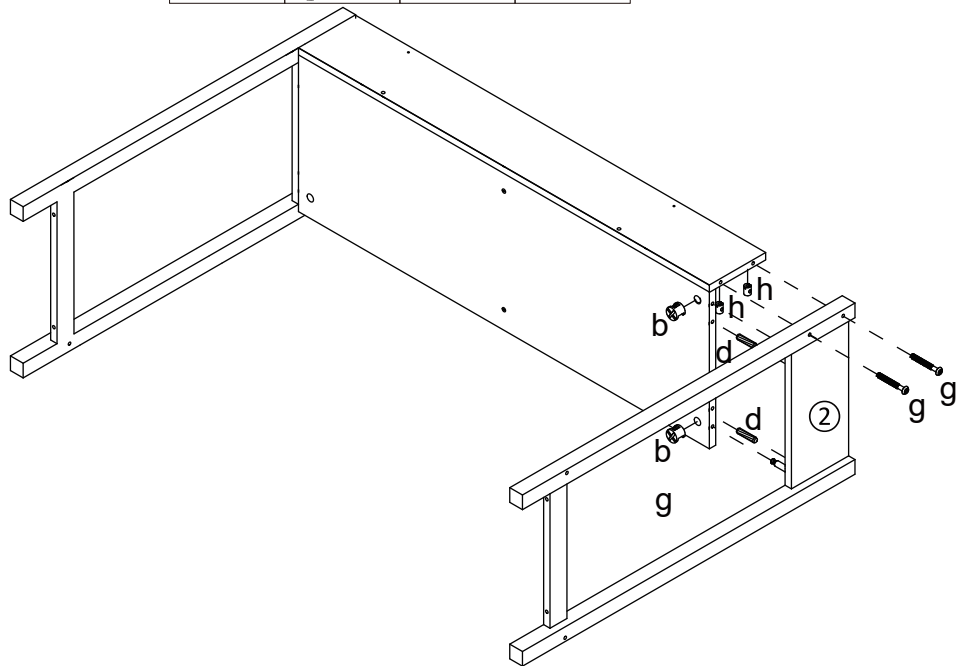
STEP 6

dx2 bx2 hx2 gx2



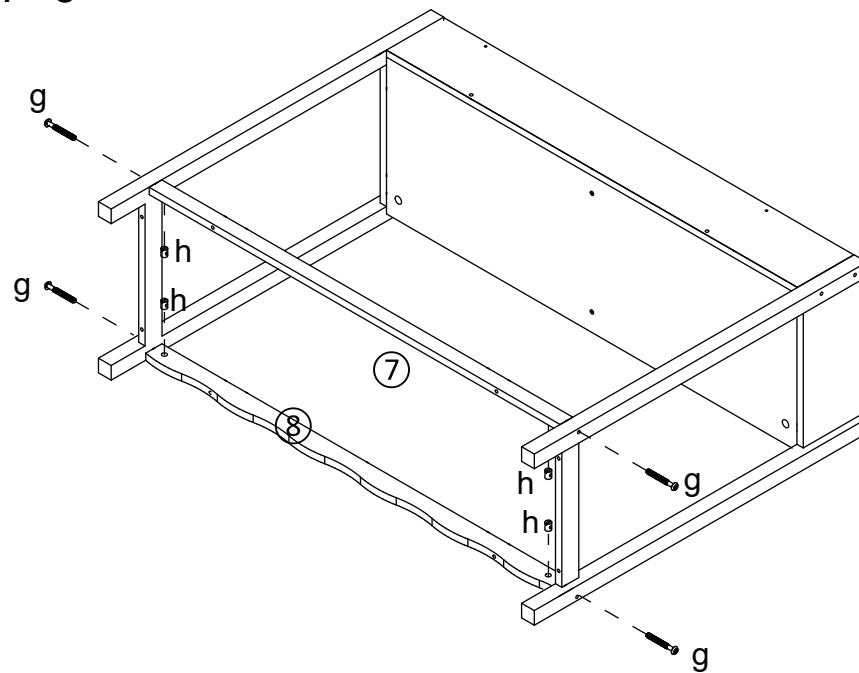
STEP 7

dx4 bx2 hx2 gx2

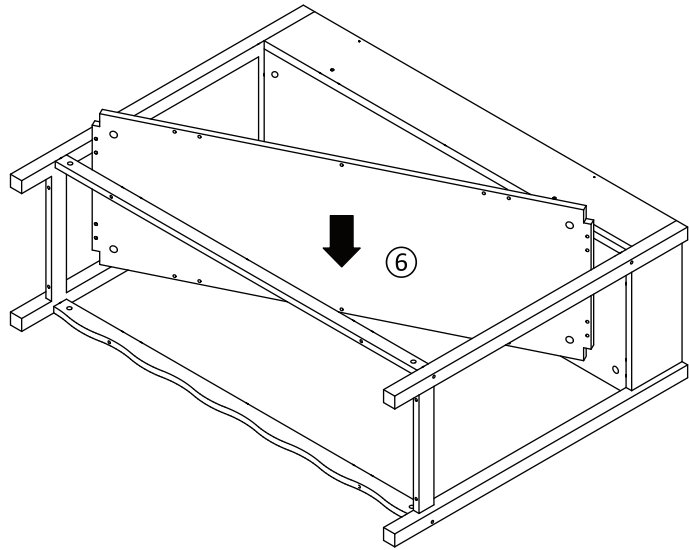


STEP 8

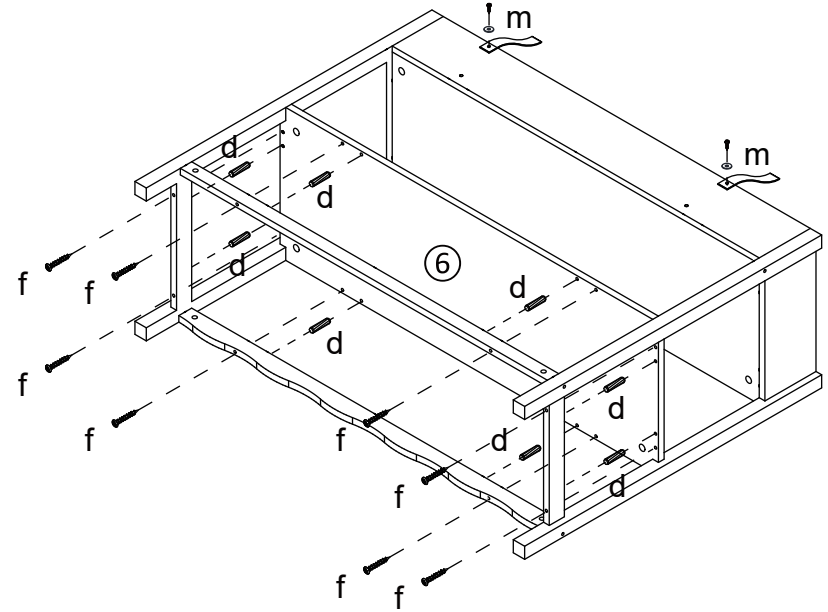
hx4 gx4



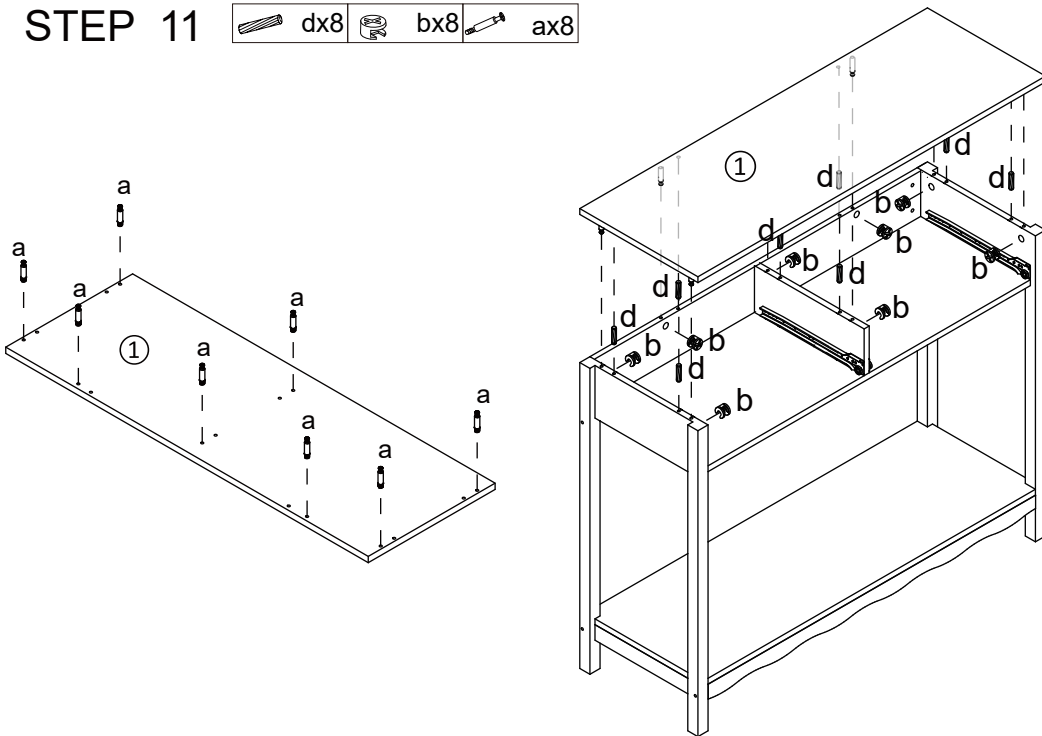
STEP 9



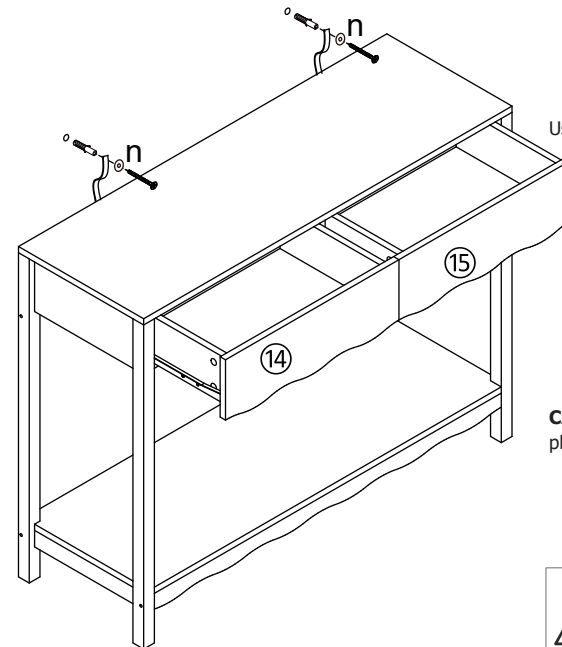
STEP 10



STEP 11



STEP 12



User instructions should include the wording:

- It is strongly recommended that this product is permanently fixed to the wall.
- Please seek professional advice if you are in doubt of what fixing device to use.
- Regularly check that anchors are securely maintained.
- Stability of tall items may be affected by thick pile carpet or uneven floors .
- Do not place unanchored televisions on furniture .

CAUTION: for your safety when attaching the anchor fixings, please note the following:

- Check any electrical wires or plumbing inside the wall before drilling any holes (if you are unsure please seek professional advice from a qualified tradesperson).



WARNING: PLEASE SECURE YOUR FURNITURE WITH THE SUPPLIED WALL FIXING. SCAN THE CODE FOR MORE INFORMATION.

