

Assembly Instructions

43333967 FOLDABLE BAMBOO STAND

CARE INSTRUCTIONS:





WIPE CLEAN WITH A SOFT DAMP CLOTH. DO NOT USE ABRASIVE MATERIAL AND SOLVENTS. CHECK AND TIGHTEN ALL PARTS REGULARLY.

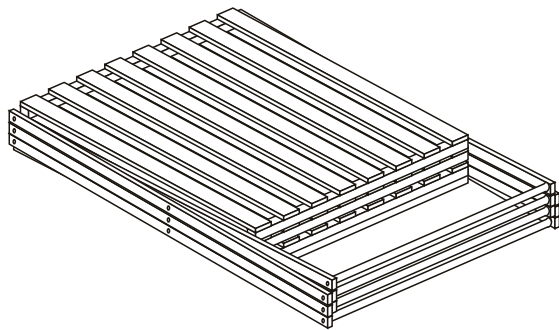
WARNING:

DO NOT STAND ON THE UNIT. USE ONLY ON A FLAT SURFACE. DO NOT USE UNTIL ALL SCREWS, BOLTS AND KNOBS ARE FIRMLY SECURED. THIS PRODUCT CONTAINS SMALL PARTS AND SHARP POINTS, KEEP AWAY FROM CHILDREN AND BABIES. ADULT ASSEMBLY REQUIRED. FAILURE TO FOLLOW THESE WARNINGS COULD RESULT IN SERIOUS INJURY.

MAXIMUM SAFE LOAD: 5KG FOR EACH SHELF .

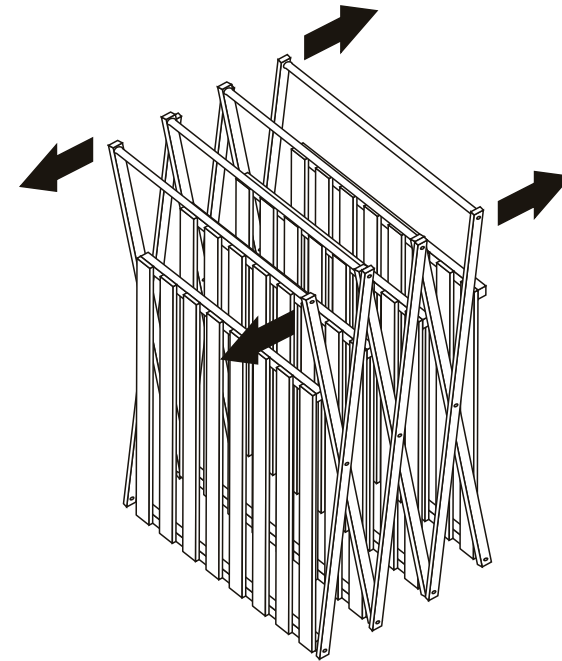
Hardware list

	A	4x35mm	1PC		D		1PC
	B	30mm	1PC				
	C	20x200mm	1PC				

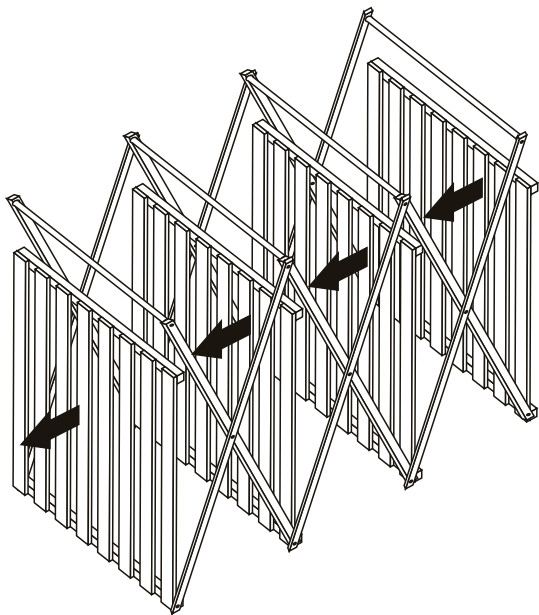


Do not tighten the screws fully during assembly.
Fully tighten screws after the final assembly steps

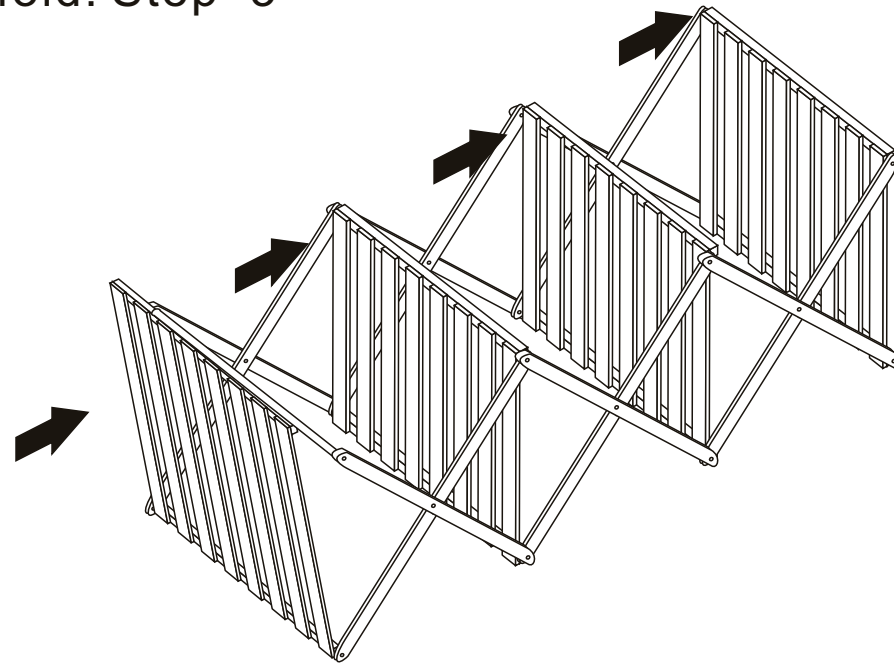
Unfold: Step -1



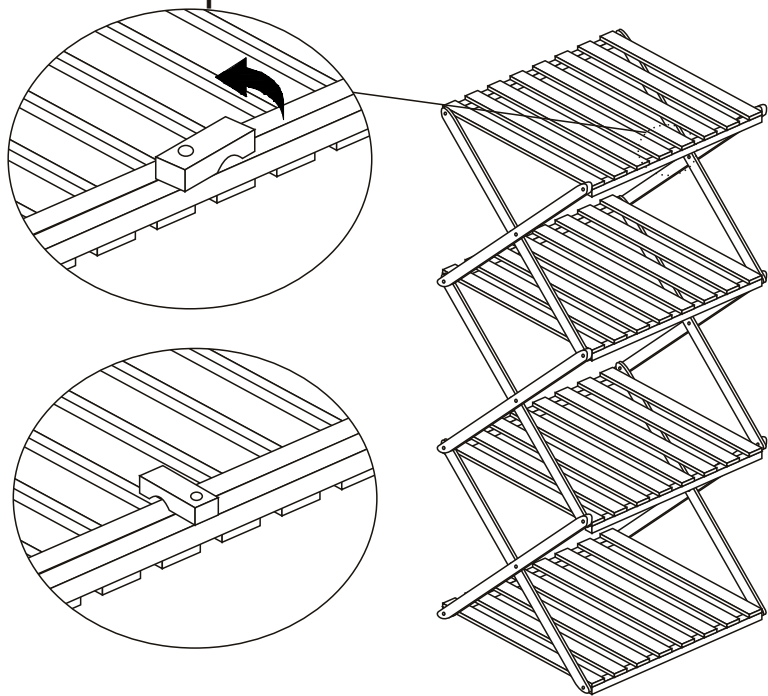
Unfold: Step -2



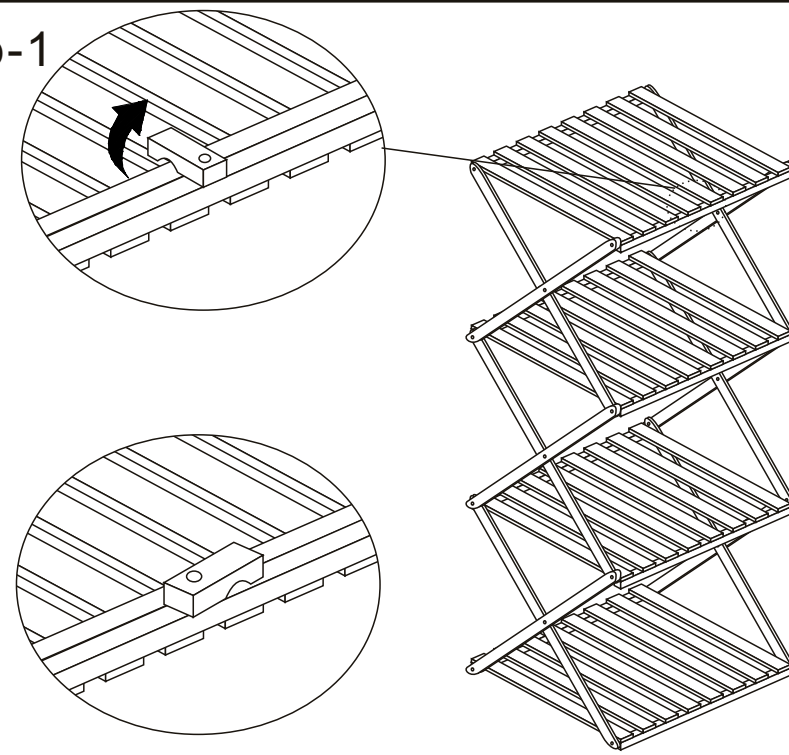
Unfold: Step -3



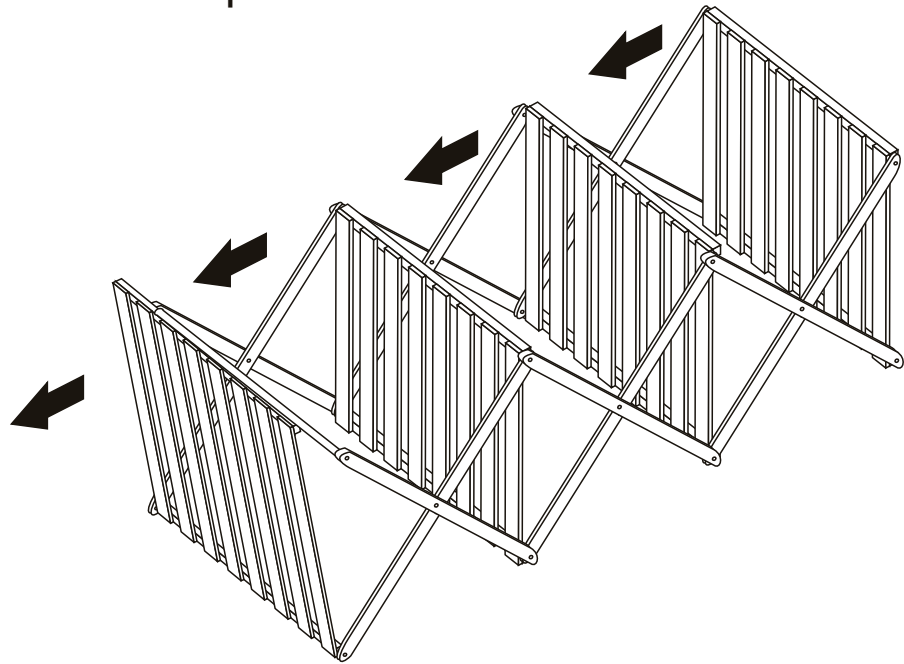
Unfold: Step -4



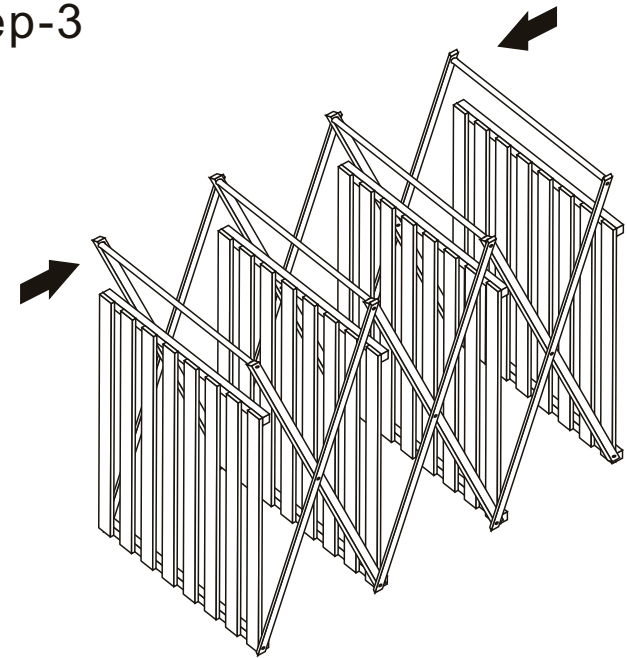
Fold: step-1



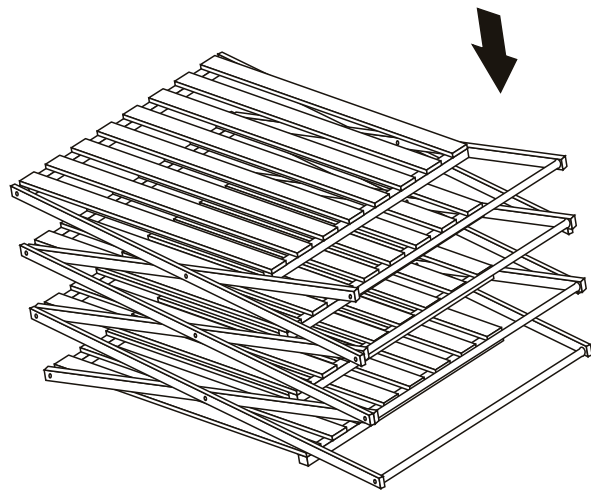
Fold: step-2



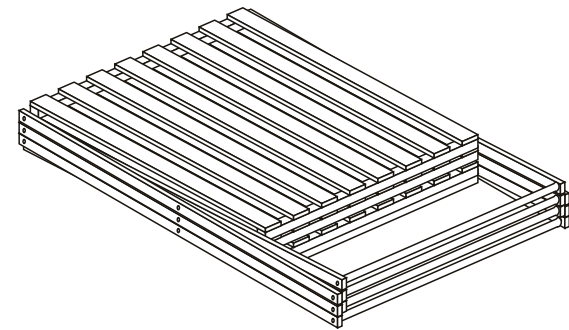
Fold: step-3



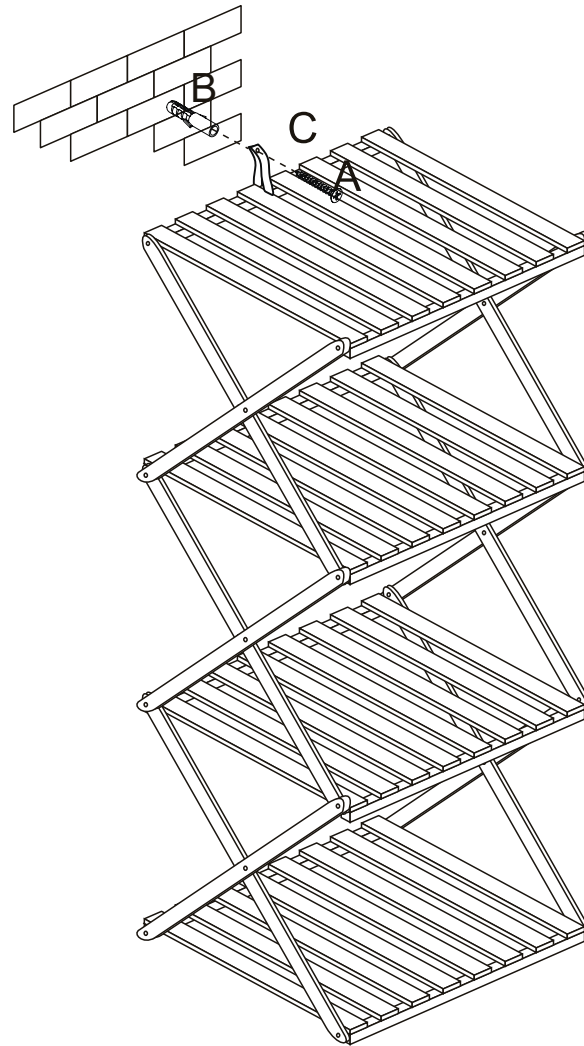
Fold: step-4



Fold: step-5



STEP 4:



CAUTION! MOVE THIS ITEM BY GRASPING SIDE FRAME,
DON'T GRASP THE BAMBOO STRIP

TOPPLING FURNITURE WARNING:

- It is strongly recommended that this product is permanently fixed to the wall.
- Please seek professional advice if you are in doubt of what fixing device to use.
- Regularly check that anchors are securely maintained.
- Stability of tall items may be affected by thick pile carpet or uneven floors .
- Do not place unanchored televisions on furniture .

CAUTION: for your safety when attaching the anchor fixings, please note the following:

- Check any electrical wires or plumbing inside the wall before drilling any holes (if you are unsure please seek professional advice from a qualified tradesperson).



WARNING: PLEASE SECURE
YOUR FURNITURE WITH
THE SUPPLIED WALL
FIXING. SCAN THE CODE
FOR MORE INFORMATION.

