

Assembly Instructions

43335077 CORNER GARMENT RACK

CARE INSTRUCTIONS:




WIPE CLEAN WITH A SOFT DAMP CLOTH. DO NOT USE ABRASIVE MATERIAL AND SOLVENTS. KEEP AWAY FROM WATER AND DIRECT SUNLIGHT. CHECK AND TIGHTEN ALL PARTS REGULARLY. ENSURE PARTS ARE PUSHED TOGETHER SECURELY. FOR INDOOR USE ONLY.




WARNING:




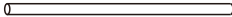
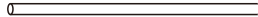

DO NOT STAND ON THE UNIT. USE ONLY ON A FLAT SURFACE. DO NOT USE UNTIL ALL SCREWS, BOLTS AND KNOBS ARE FIRMLY SECURED. THIS PRODUCT CONTAINS SMALL PARTS AND SHARP POINTS, KEEP AWAY FROM CHILDREN AND BABIES. ADULT ASSEMBLY REQUIRED. FAILURE TO FOLLOW THESE WARNINGS COULD RESULT IN SERIOUS INJURY.

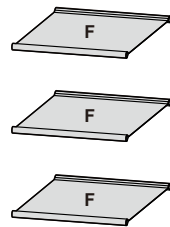
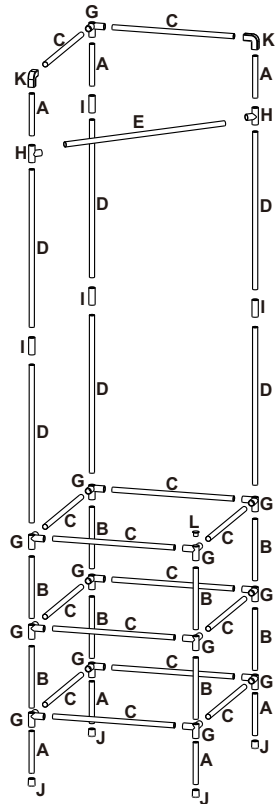
MAXIMUM SAFE LOAD: 2KG FOR CLOTHES RAIL, 2KG FOR SHELF

Hardware list

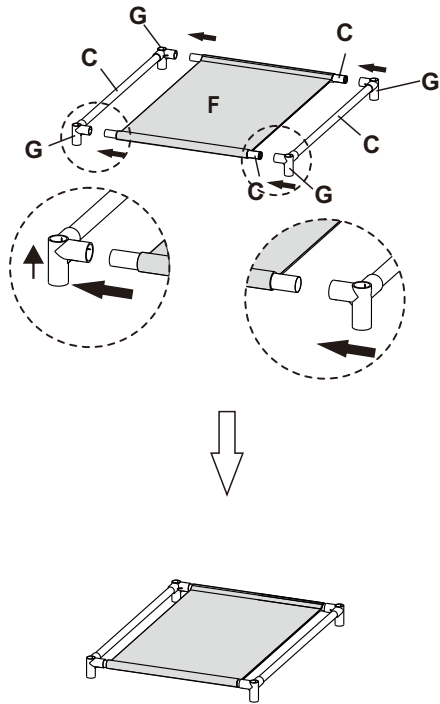
	G	12PCS
	H	2PCS
	I	4PCS

	J	4PCS
	K	2PCS
	L	1PC

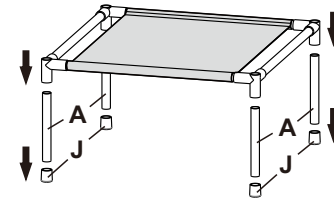
	120mm		198mm		410mm
A	7PCS	B	8PCS	C	14PCS
	553mm		590mm		
D	6PCS	E	1PC	F	3PCS



STEP 1  Gx12

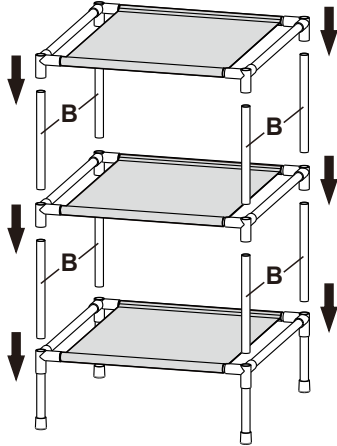


STEP 2  Jx4



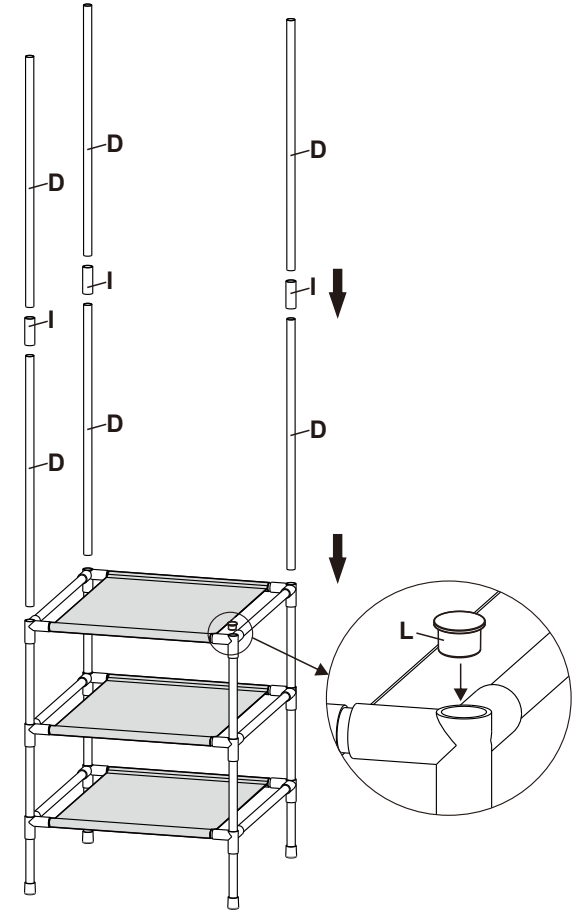
X3



STEP 3

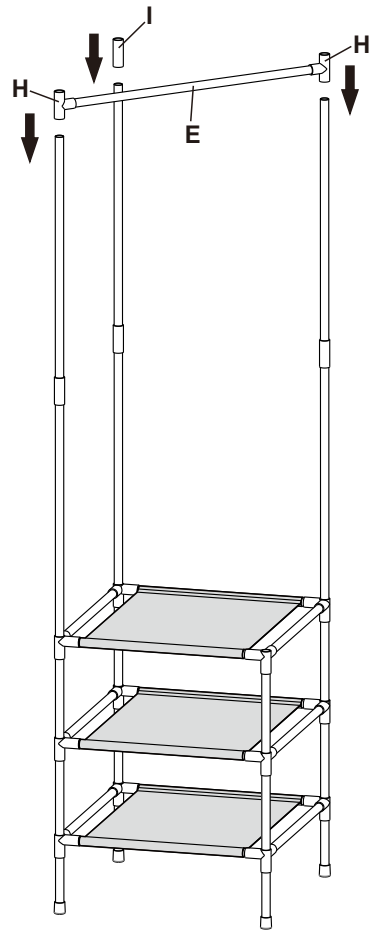




STEP 4

Ix3 Lx1



STEP 5  Hx2  Ix1



STEP 6  Gx1  Kx2

