

Assembly Instructions

43335169 EXTENDABLE SHOE RACK BLK

CARE INSTRUCTION:


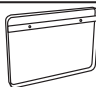



DO NOT TIGHTEN THE SCREWS UNTIL THE PRODUCT IS FULLY ASSEMBLED.
FOR INDOOR USE ONLY.

WARNING:

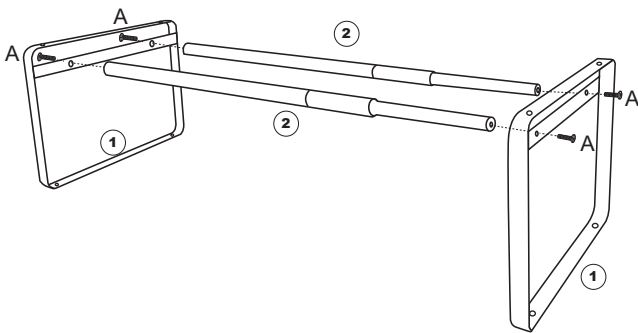
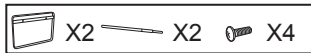
THIS PACKAGE CONTAINS SMALL PARTS, KEEP UNASSEMBLED PARTS AWAY FROM CHILDREN AND BABIES.

MAXIMUM SAFE LOAD:2KG PER TIER.

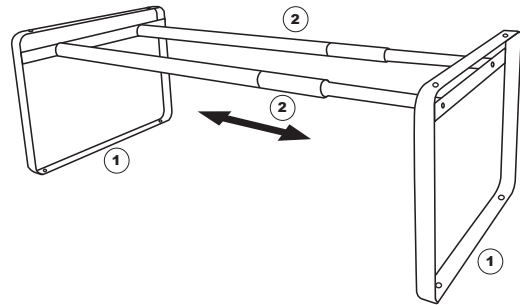
Hardware List

	A	M5x12mm	4PCS		①	Frame	2PCS
	B	M5x8mm	4PCS		②	Tube	2PCS
	C	Nut	4PCS				

STEP 1

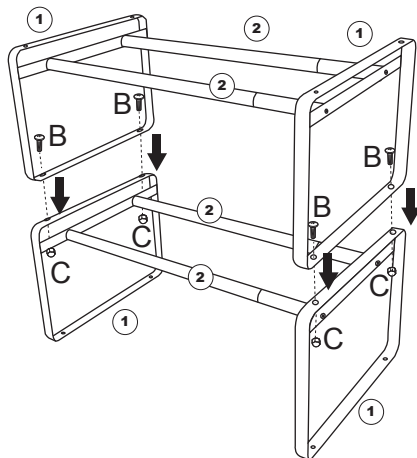
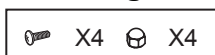


STEP 2



Optional Stacking

STEP 3



STEP 4

