






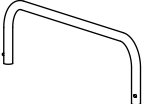
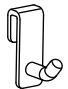
# Instruction Manual

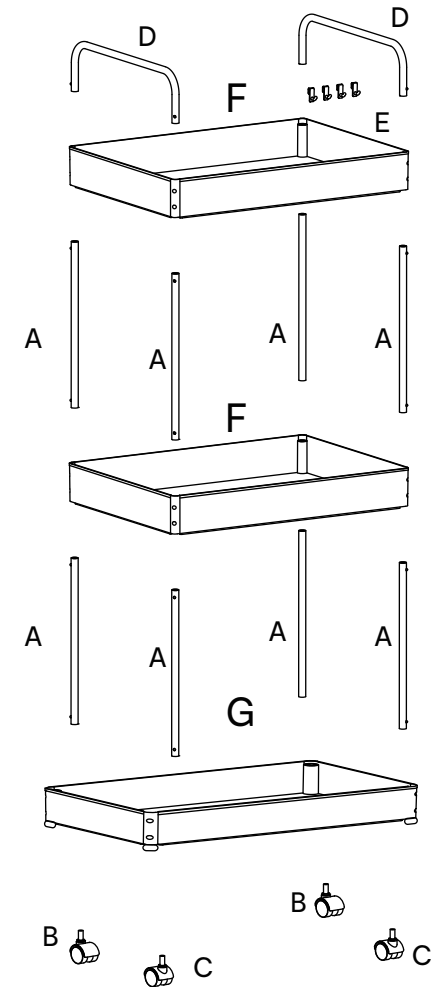
## 43342419 3 TIER CLEAR TROLLEY

**CARE INSTRUCTIONS:** Check and tighten all parts regularly. Wipe clean with a soft damp cloth. For indoor and cosmetic use.

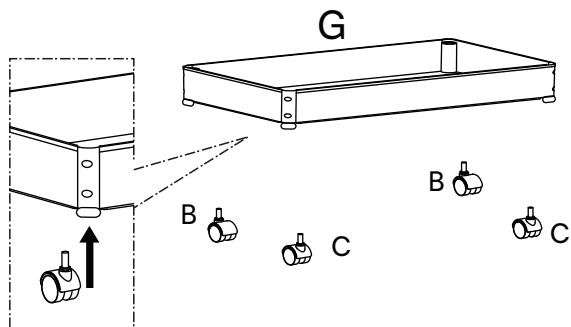
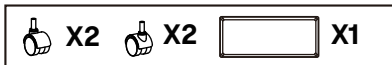
**WARNING:** Do not stand, sit or lean on the trolley. Use only on a flat surface. This package contains small parts, keep away from children and babies. Adult assembly required. Failure to follow these warning could result in serious injury.

**MAXIMUM LOADING WEIGHT:** 10kg for each layer

	A	8 PCS		F	2 PCS
	B	2 PCS			G
	C	2 PCS			
	D	2 PCS			
	E	4 PCS			

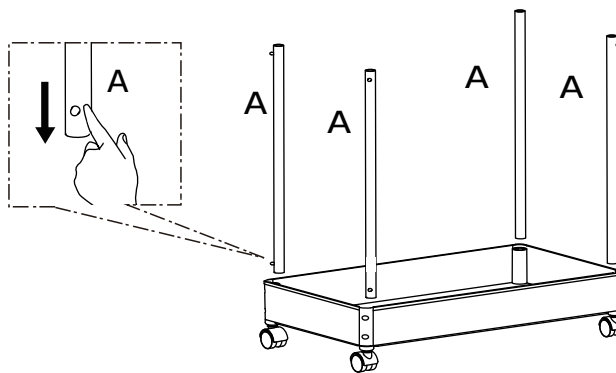
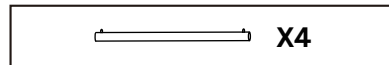


### STEP 1

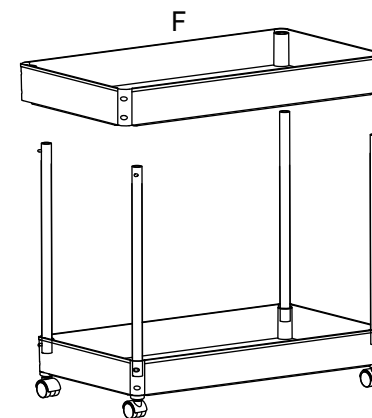
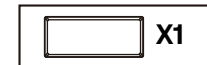


**WARNING:** Please make sure the wheels with and without brakes are installed diagonally.

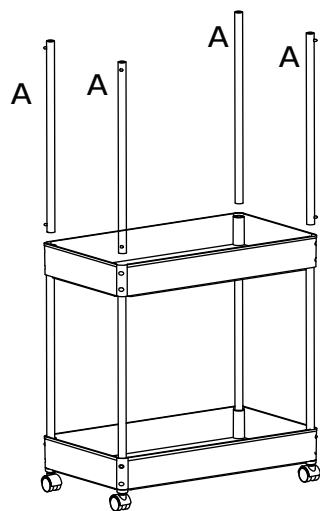
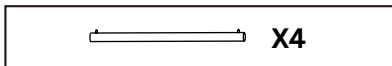
### STEP 2



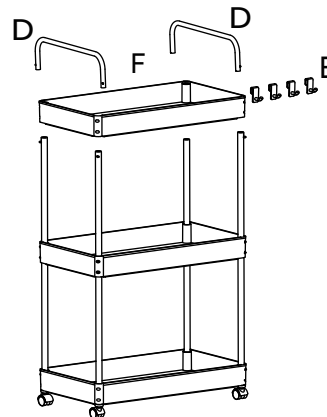
### STEP 3



### STEP 4



### STEP 5



**NOTES:** When install the handle, please make sure the button pin is aligned with the hole, and press the ends of the handle together to eject the button pin.

### STEP 6 DISASSEMBLE METHOD

