

# Assembly Instructions

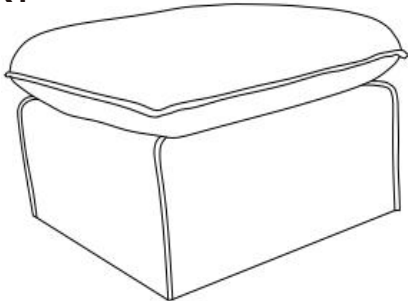
## 43366354 WINSTON OTTOMAN

**CARE INSTRUCTIONS:** WIPE CLEAN WITH A SOFT DAMP CLOTH. DO NOT USE ABRASIVE MATERIAL AND SOLVENTS. SPOT CLEAN IF NEEDED. STORE IN A DRY PLACE. CHECK AND TIGHTEN ALL PARTS REGULARLY. FOR INDOOR AND DOMESTIC USE.

**WARNING:** DO NOT STAND ON THE OTTOMAN. USE ONLY ON A FLAT SURFACE. DO NOT USE UNTIL ALL SCREWS, BOLTS AND KNOBS ARE FIRMLY SECURED. ADULT ASSEMBLY REQUIRED. FAILURE TO FOLLOW THESE WARNINGS COULD RESULT IN SERIOUS INJURY.

**MAXIMUM SAFE LOAD: 100KG.**

AX1

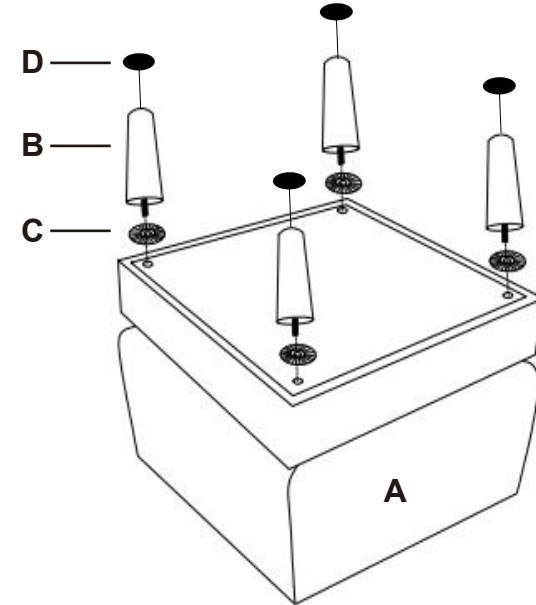


BX4

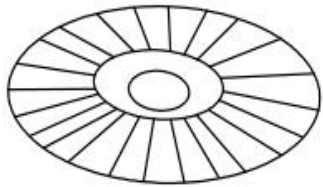


FEET TIED WITH RED ROPE IN THE CARTON.

STEP 2



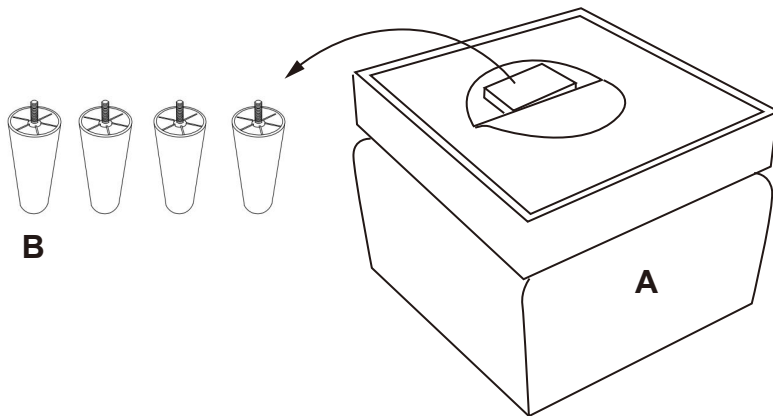
CX4



DX4



STEP 1



STEP 3

