

# Assembly Instructions

**K: 43388677 | T: 69299483 EXTENDABLE AIRER**

**CARE INSTRUCTION:**

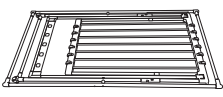


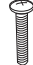
WIPE CLEAN WITH A SOFT DRY OR DAMP CLOTH.

**WARNING:**

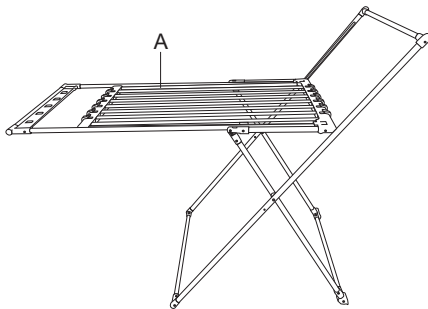
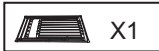
THIS PACKAGE CONTAINS SMALL PARTS, KEEP UNASSEMBLED PARTS AWAY FROM CHILDREN AND BABIES.

**MAXIMUM SAFE LOAD: TOP ROD: 3KG / EACH SINGLE THINNER ROD: 1KG**

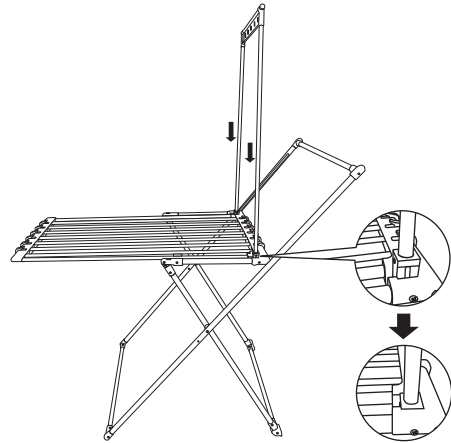
## Hardware List

	A	1PC		C	2PCS
	B	1PC		D	2PCS

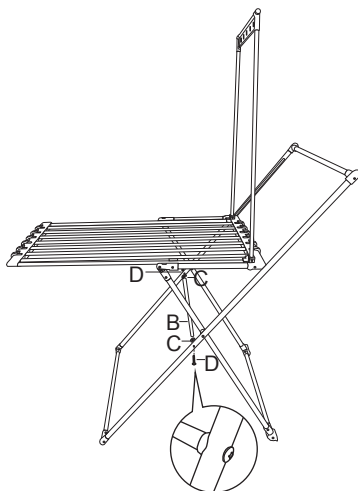
### STEP 1



### STEP 2



### STEP 3



### STEP 4

