

# Assembly Instructions

K:43389568 | T:69356650 TELESCOPIC SHOWER CADDY BLACK

## CARE INSTRUCTIONS:

Check and tighten all parts regularly. Wipe clean with a soft damp cloth. For indoor and domestic use.

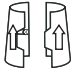


## WARNING:





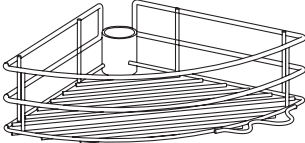
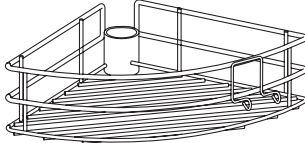
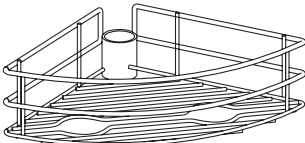
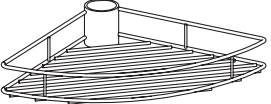
Do not drag and lean on the product. Only use on firm and flat surface. Ensure the product is perpendicular to both of the surface, ensure the shelves are parallel to the floor, load the shelves evenly. This product contains small parts and sharp points, keep away from children and babies. Adult assembly required. Failure to follow these warnings could result in serious injury.

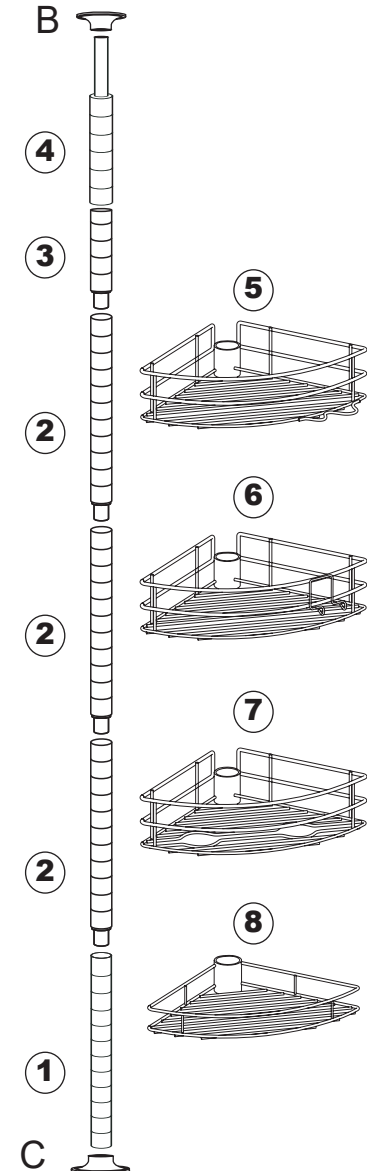
**MAXIMUM LOADING WEIGHT:** 2kg for each shelf.

**EXTENSION RANGE:** 210-310cm

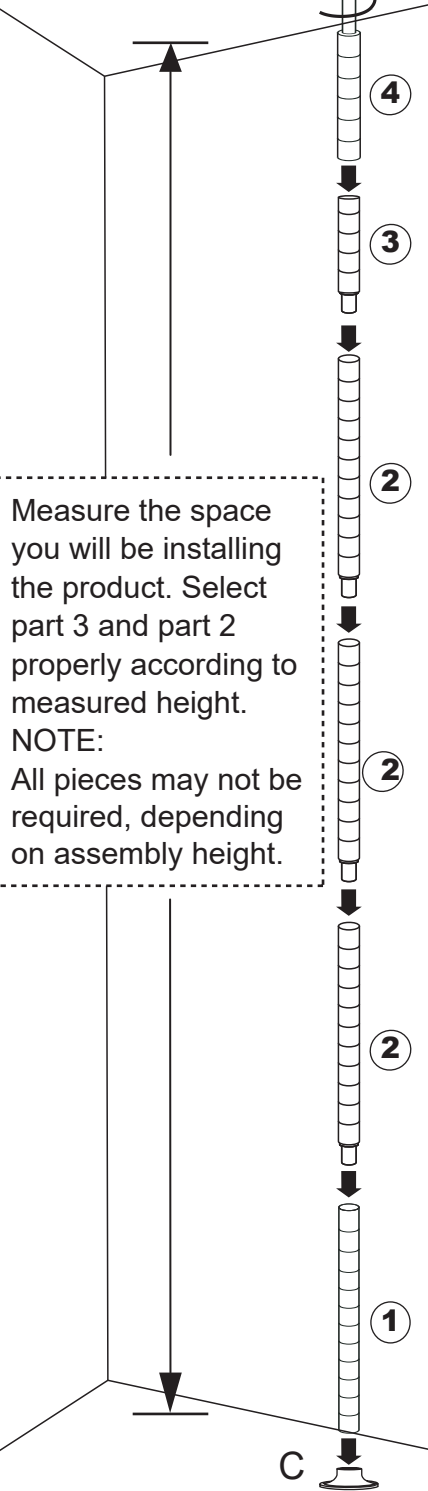
## Hardware list

	A	Clips	4 SETS		C	Foot 19mm	1 PCS
	B	Hat 16mm	1 PCS				

					
<b>①</b>	<b>②</b>	<b>③</b>	<b>④</b>	<b>⑤</b>	<b>⑥</b>
1PC	3PCS	1PC	1PC	1PC	1PC
					
				<b>⑦</b>	<b>⑧</b>
				1PC	1PC

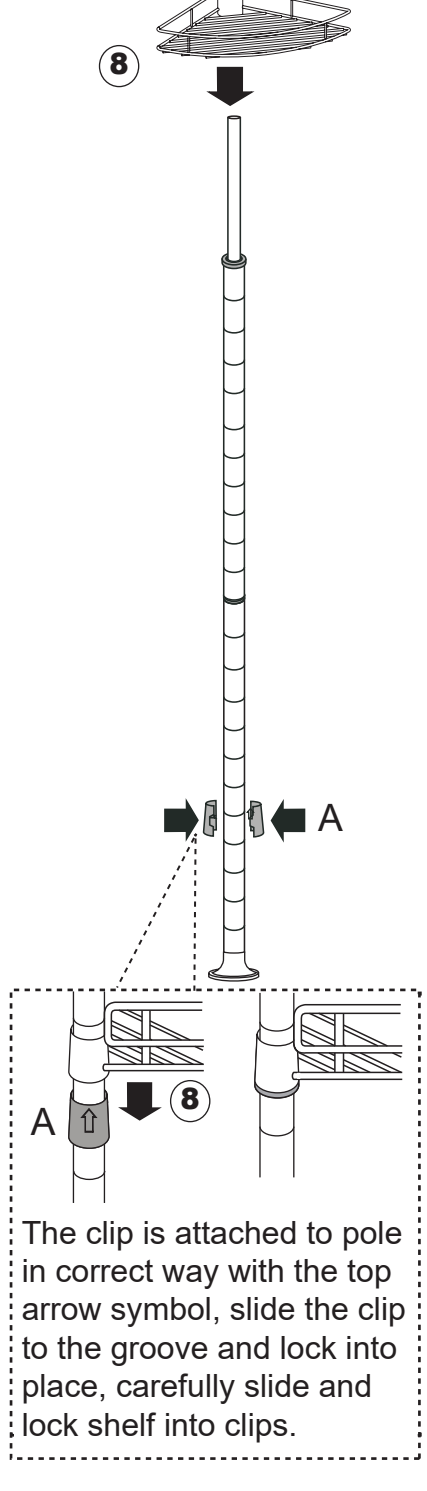


**STEP 1**



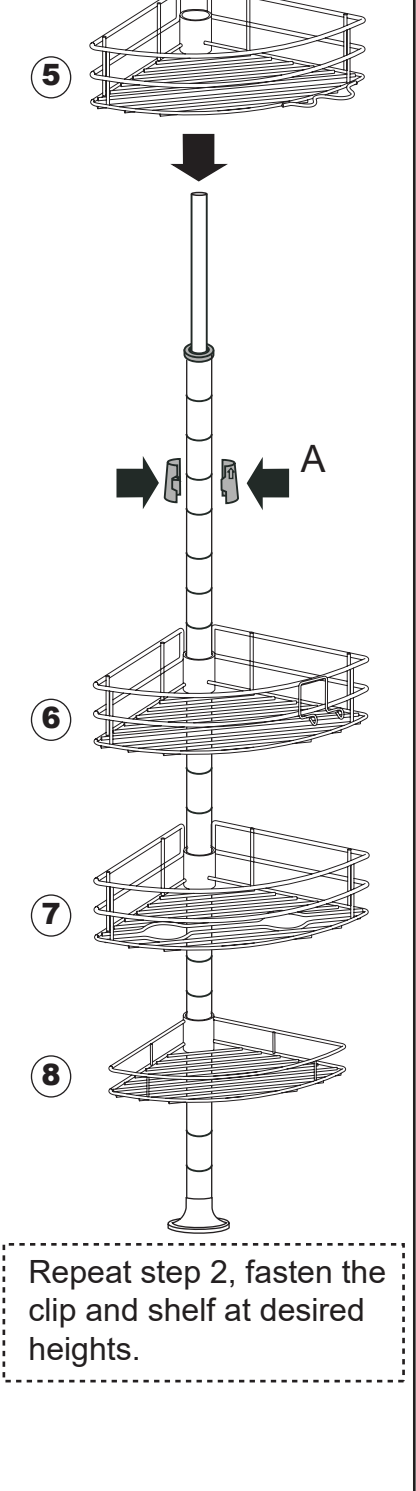
Measure the space you will be installing the product. Select part 3 and part 2 properly according to measured height.  
 NOTE:  
 All pieces may not be required, depending on assembly height.

**STEP 2**



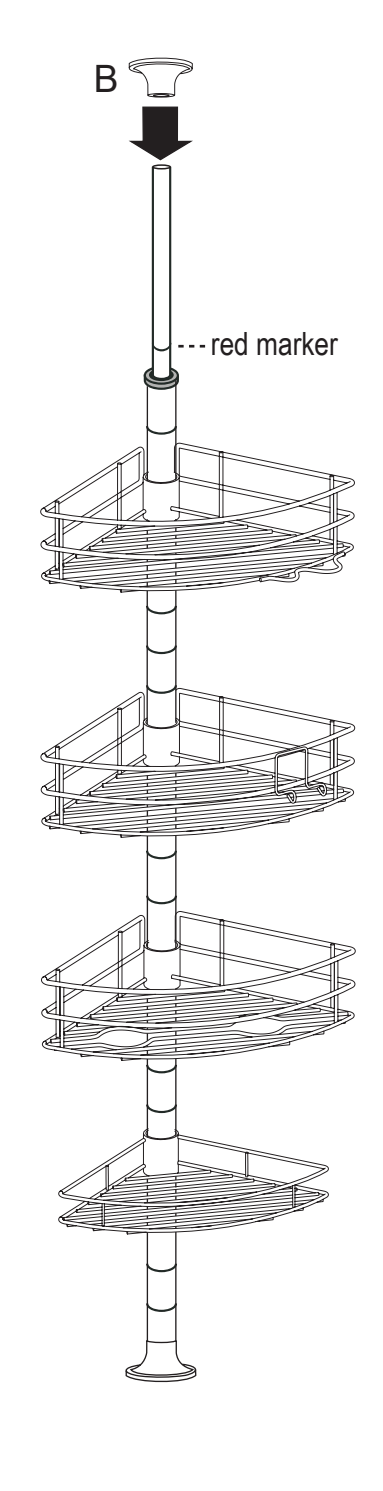
The clip is attached to pole in correct way with the top arrow symbol, slide the clip to the groove and lock into place, carefully slide and lock shelf into clips.

**STEP 3**

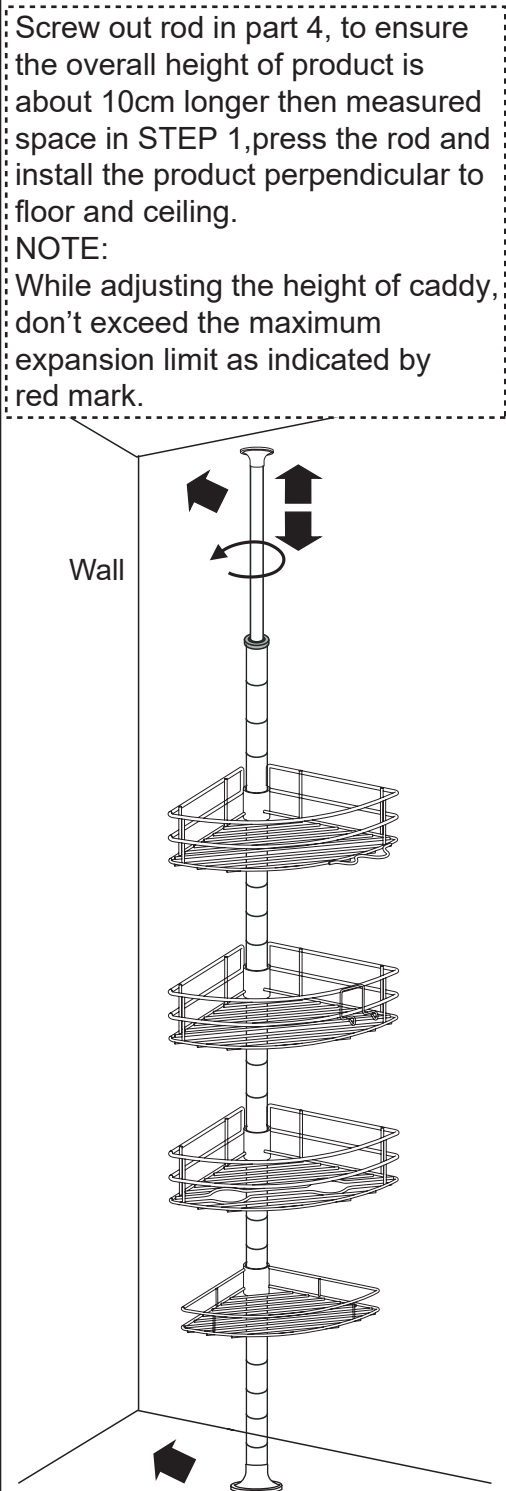


Repeat step 2, fasten the clip and shelf at desired heights.

**STEP 4**



**STEP 5**



Screw out rod in part 4, to ensure the overall height of product is about 10cm longer than measured space in STEP 1, press the rod and install the product perpendicular to floor and ceiling.  
 NOTE:  
 While adjusting the height of caddy, don't exceed the maximum expansion limit as indicated by red mark.