

Assembly Instructions

K: 43-392-735 | T: 69-357-817 Corner Garment Rack with Basket and Shoe Rack

CARE INSTRUCTIONS:


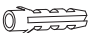






WIPE CLEAN WITH A SOFT DRY CLOTH. KEEP AWAY FROM WATER AND DIRECT SUNLIGHT.
FOR INDOOR AND DOMESTIC USE. CHECK AND TIGHTEN ALL PARTS REGULARLY.

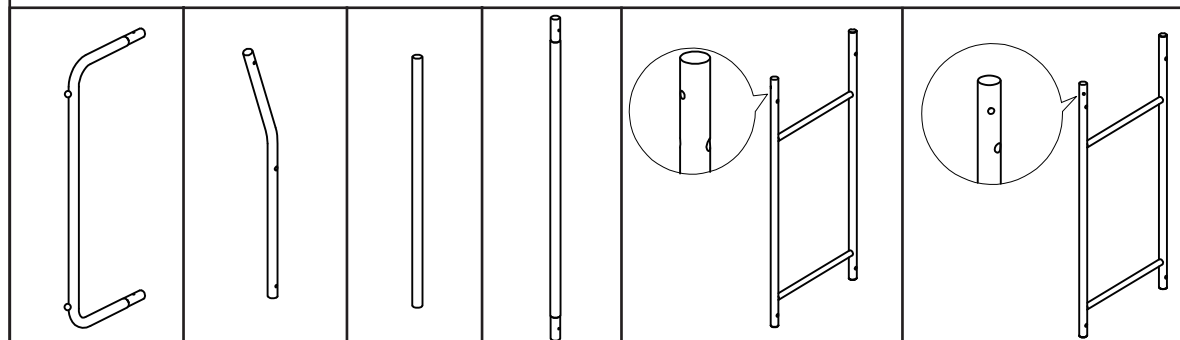
WARNING:

DO NOT STAND OR SIT ON THE UNIT. DO NOT LEAN ON THE PRODUCT. USE ONLY ON A FLAT SURFACE. DO NOT USE UNTIL ALL SCREWS, BOLTS AND KNOBS ARE FIRMLY SECURED. THIS PRODUCT CONTAINS SMALL PARTS AND SHARP POINTS, KEEP AWAY FROM CHILDREN AND BABIES.
ADULT ASSEMBLY REQUIRED. FAILURE TO FOLLOW THESE WARNINGS COULD RESULT IN SERIOUS INJURY.

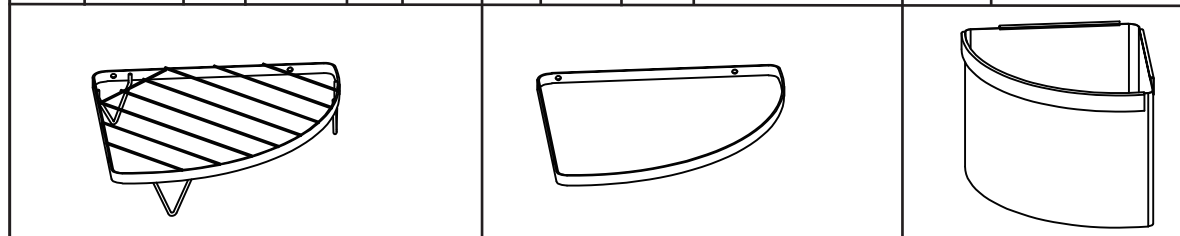
MAXIMUM SAFE LOAD: :3KGS FOR TOP CLOTH RAIL,2KGS FOR MIDDLE CLOTH RAIL, 5KGS FOR THE LINER, 4KGS FOR BOTTOM SHELF.

Hardware list

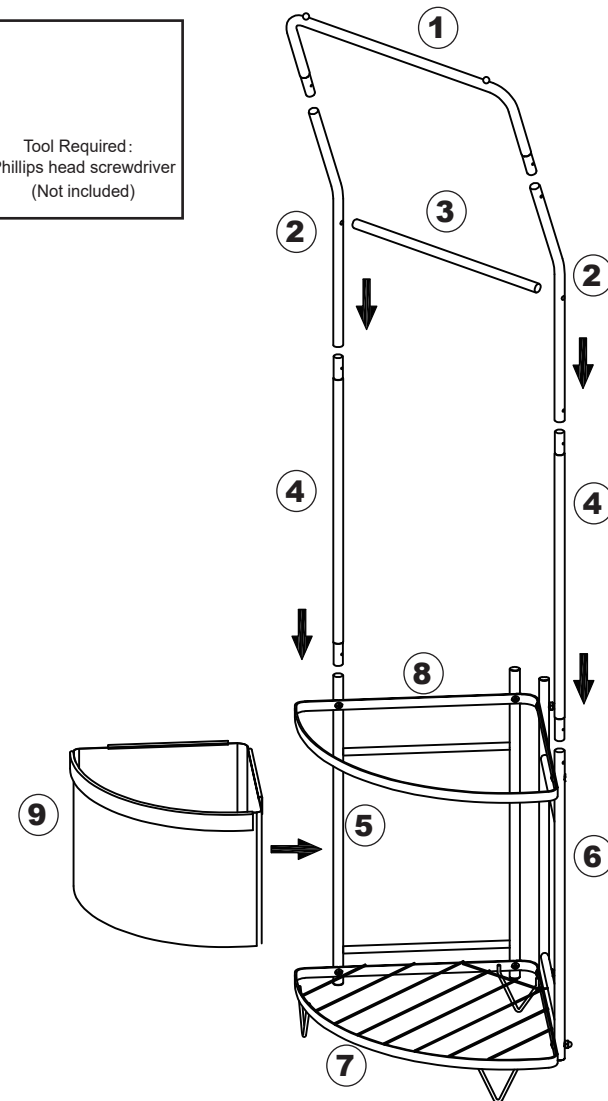
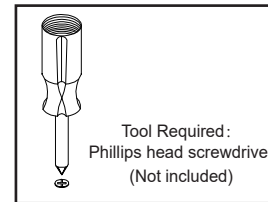
	A	Screw	10 PCS		E	Wall Plug	2 PCS
	B	Nut	8 PCS		F	Strap	2 PCS
	C	Screw	6 PCS		G	Washer	2 PCS
	D	Screw	2 PCS		H	Spanner	1 PC



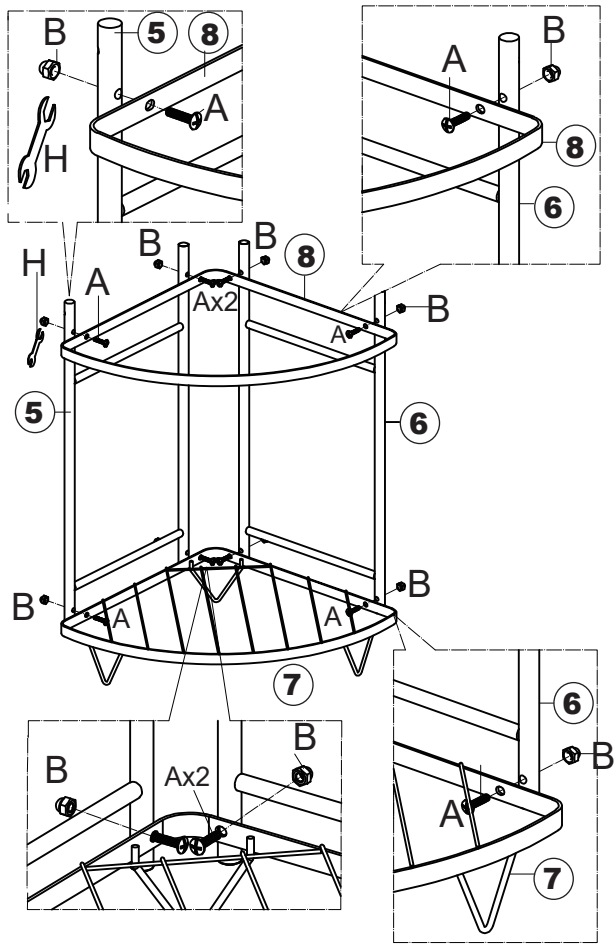
① 1PC ② 2PCS ③ 1PC ④ 2PCS ⑤ Left: 1PC ⑥ Right: 1PC



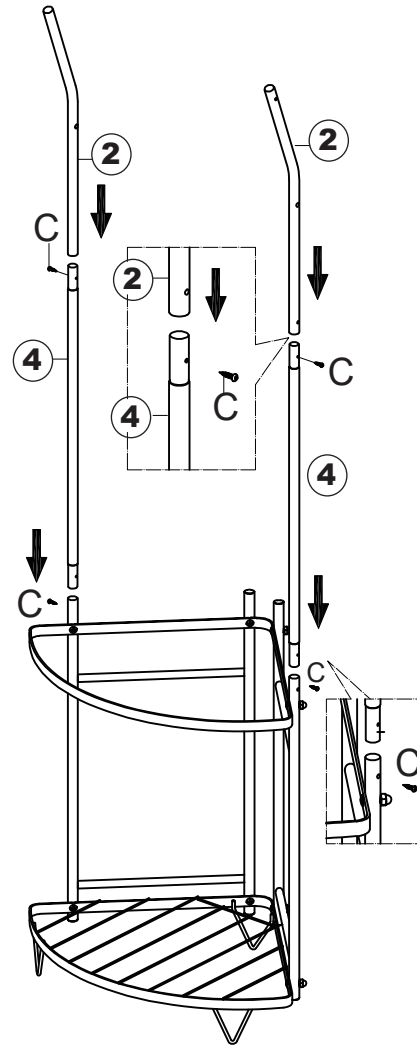
⑦ 1PC ⑧ 1PC ⑨ 1PC



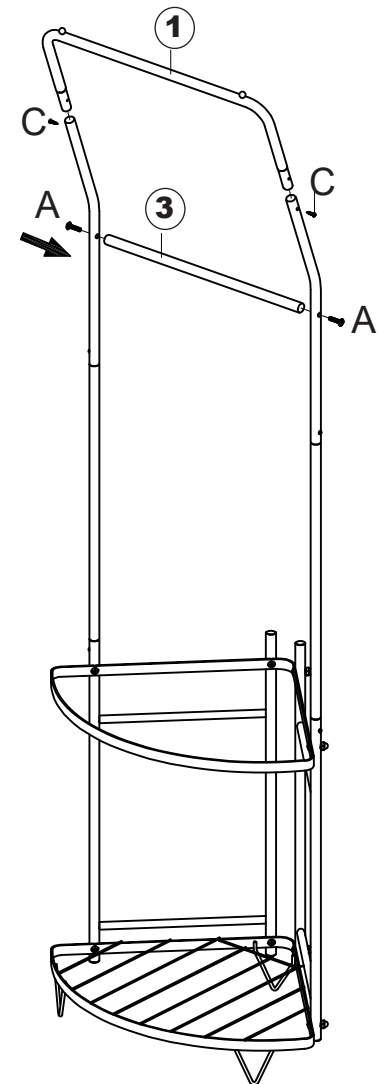
STEP 1



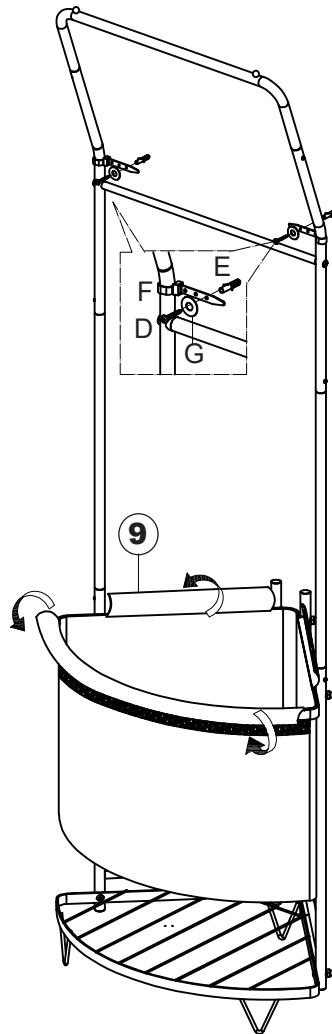
STEP 2



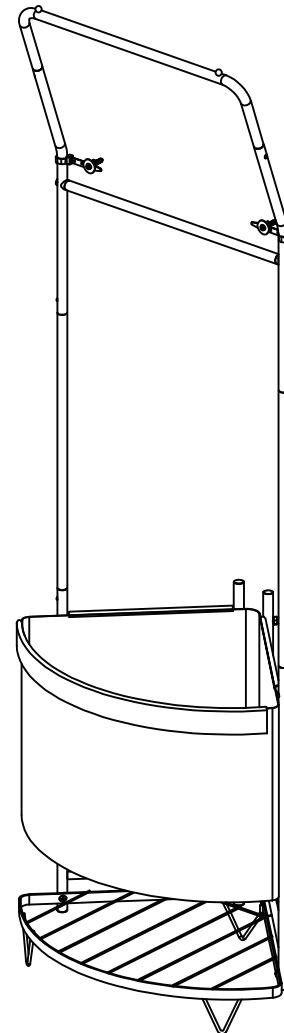
STEP 3



STEP 4



STEP 5



Warning:

- It is strongly recommended that this product is permanently fixed to the wall.
 - Please seek professional advice if you are in doubt of what fixing device to use.
 - Regularly check that anchors are securely maintained.
 - Stability of tall items may be affected by thick pile carpet or uneven floors.
- Caution:** for your safety when attaching the anchor fixings, please note the following:
- Check any electrical wires or plumbing inside the wall before drilling any holes.(if you are unsure please seek professional advice from a qualified tradesperson).



WARNING: PLEASE SECURE YOUR FURNITURE WITH THE SUPPLIED WALL FIXING. SCAN THE CODE FOR MORE INFORMATION.

