

Assembly Instructions

K: 43392766 | T: 69358203 DOUBLE GARMENT RACK

CARE INSTRUCTIONS:





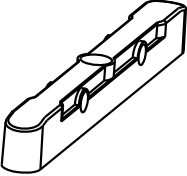

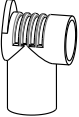

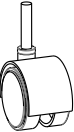
WIPE CLEAN WITH A SOFT DAMP CLOTH. DO NOT USE ABRASIVE MATERIAL AND SOLVENTS. KEEP AWAY FROM WATER AND DIRECT SUNLIGHT. CHECK AND TIGHTEN ALL PARTS REGULARLY. ENSURE PARTS ARE PUSHED TOGETHER SECURELY. FOR INDOOR USE ONLY.

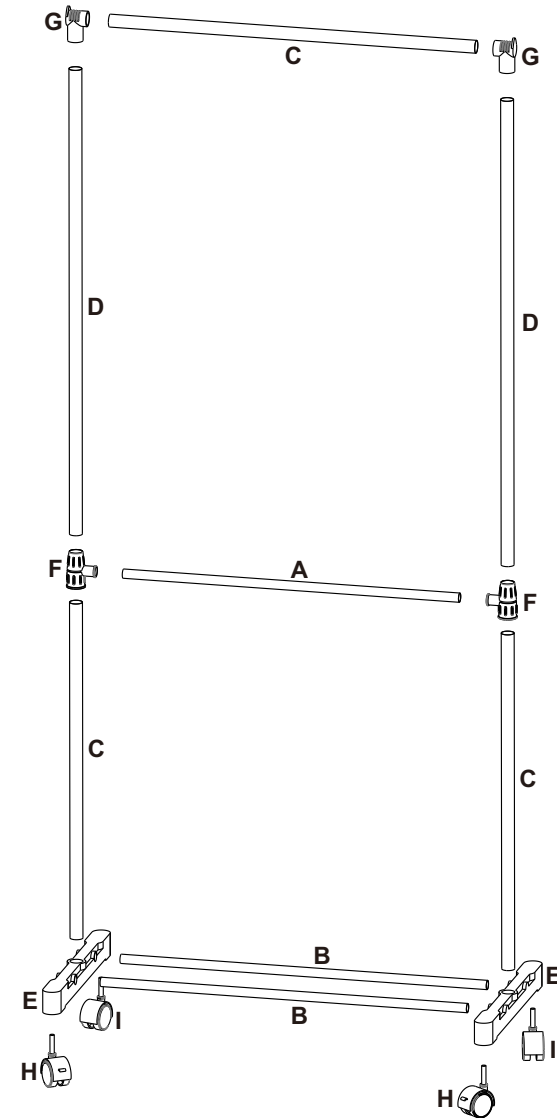
WARNING:

DO NOT STAND ON THE UNIT. USE ONLY ON A FLAT SURFACE. DO NOT USE UNTIL ALL SCREWS, BOLTS AND KNOBS ARE FIRMLY SECURED. THIS PRODUCT CONTAINS SMALL PARTS AND SHARP POINTS, KEEP AWAY FROM CHILDREN AND BABIES. ADULT ASSEMBLY REQUIRED. FAILURE TO FOLLOW THESE WARNINGS COULD RESULT IN SERIOUS INJURY.

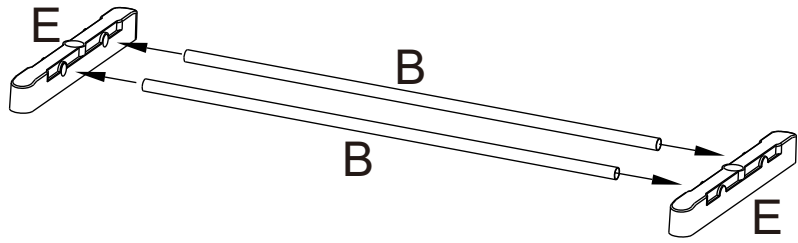
MAXIMUM SAFE LOAD: 3KG FOR CLOTHES RAIL.

Components list

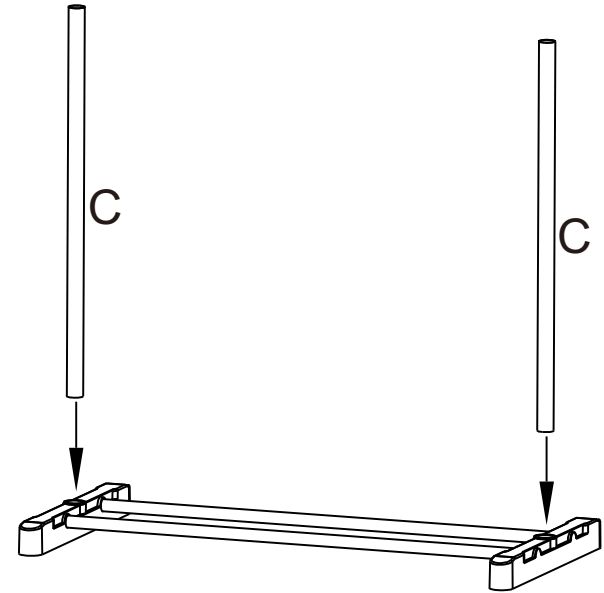
								
A	670mm	1PC	B	730mm	2PCS	C	730mm	3PCS
								
D	980mm	2PCS	E		2PCS	F		2PCS
								
G		2PCS	H		2PCS	I		2PCS



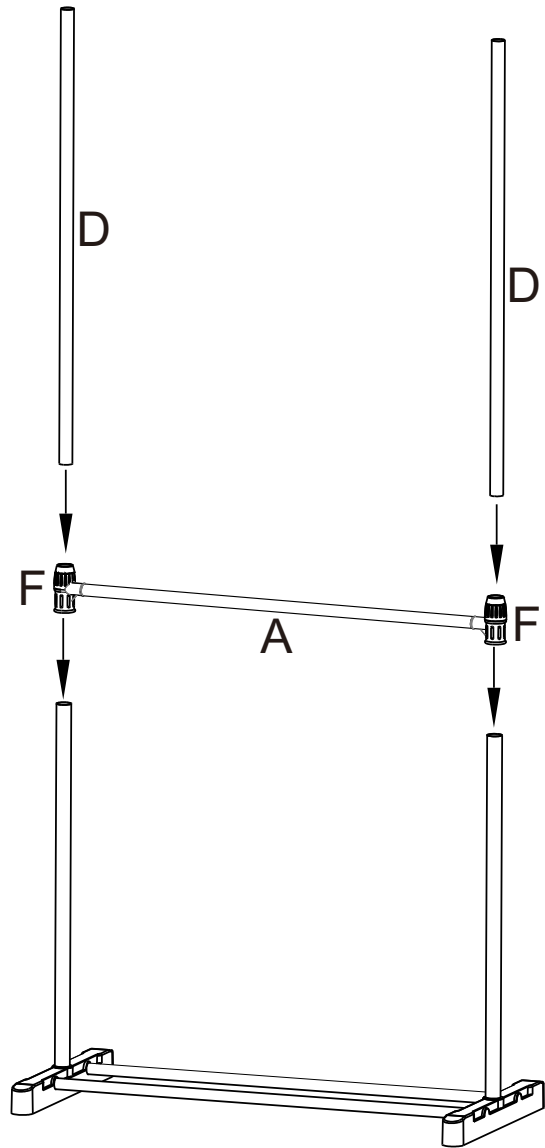
STEP 1



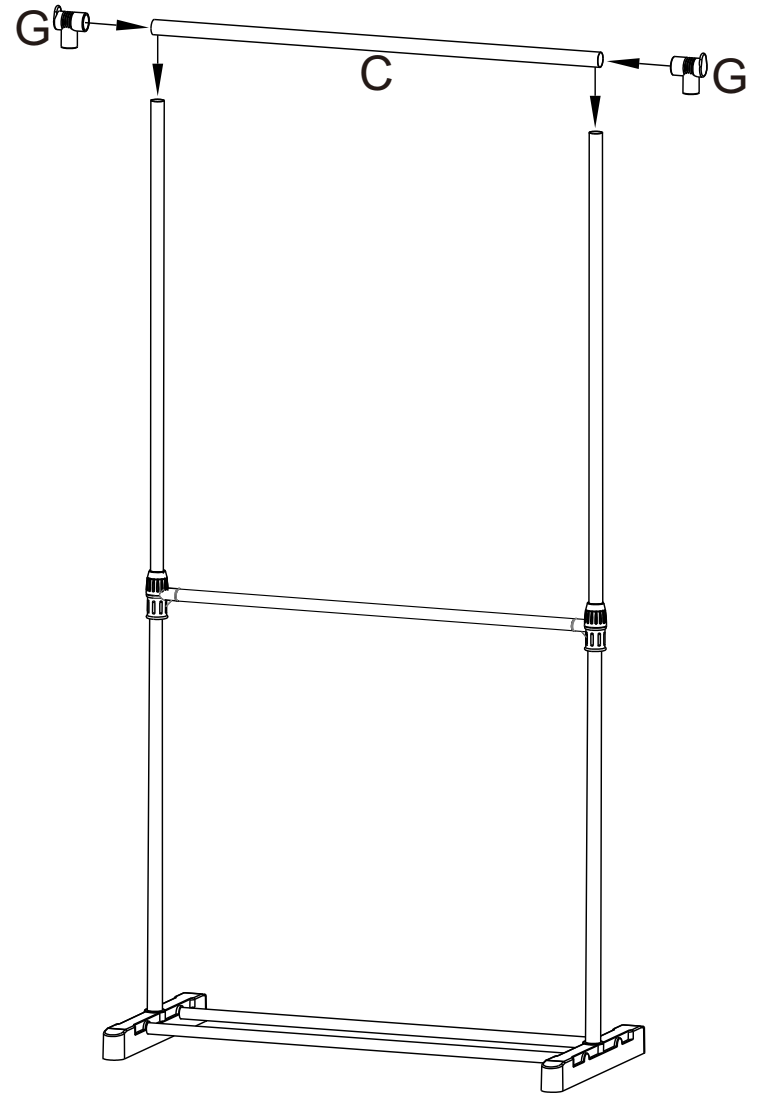
STEP 2



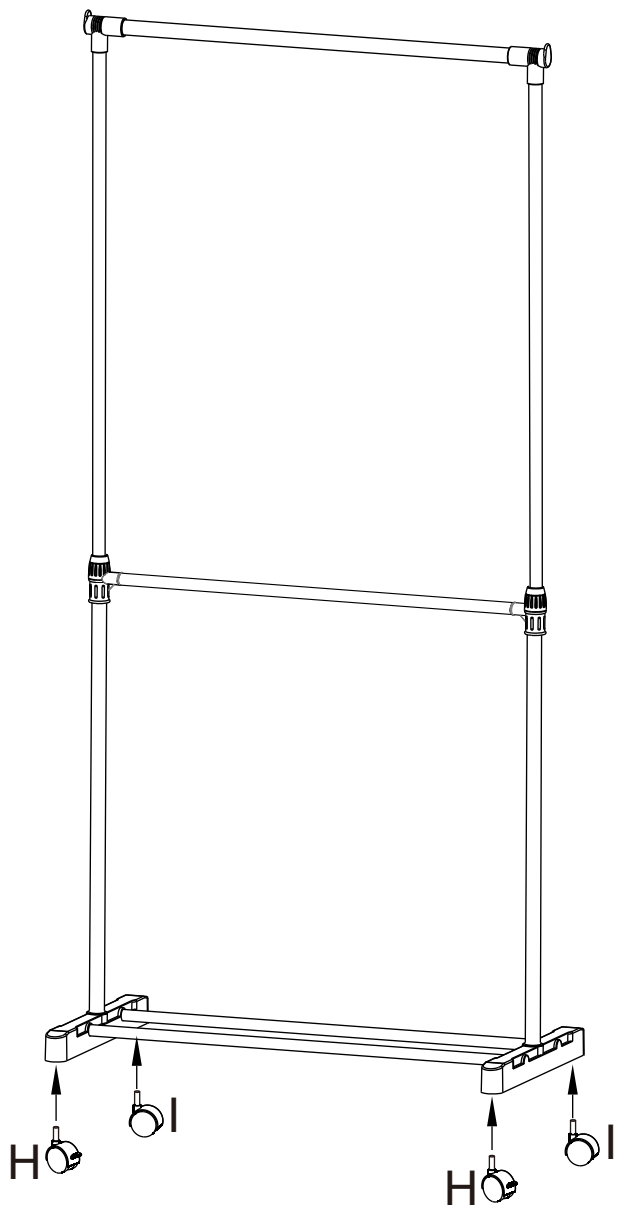
STEP 3



STEP 4



STEP 5



STEP 6

