

Assembly Instructions

K: 43394067 | T: 69358234 2 TIER OAK LOOK SHOE CABINET











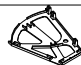



WARNING:

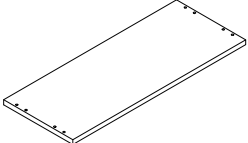
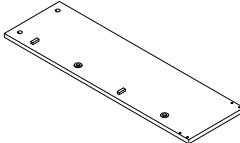
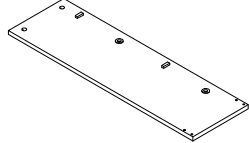
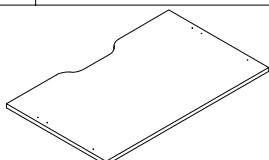
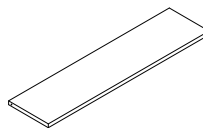
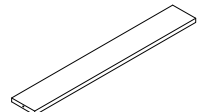
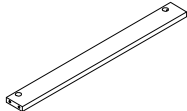
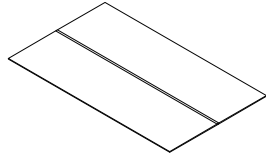

THIS PACKAGE CONTAINS SMALL PARTS AND SHARP POINTS. KEEP AWAY FROM CHILDREN AND BABIES. **MAXIMUM SAFE LOAD: 10KG FOR TOP PANEL, 5KG FOR INSIDE DRAWER.** IT IS STRONGLY RECOMMENDED THAT THIS PRODUCT IS PERMANENTLY FIXED TO THE WALL.


IT IS RECOMMENDED FOR 2 PEOPLE TO ASSEMBLE/MOVE THIS ITEM TO AVOID ANY POTENTIAL INJURY AND/OR DAMAGE.

CARE INSTRUCTION: WIPE CLEAN WITH A SOFT DRY OR DAMP CLOTH. CHECK AND TIGHTEN ALL PARTS REGULARLY.

Hardware List

	a	6x35mm	8pcs		h	M4x12mm	12pcs
	b	15x9.5mm	8pcs		i		4pcs
	c	6x30mm	8pcs		j		16pcs
	d		4pcs		k	M4x25mm	12pcs
	e		4pcs		l	20x150mm Ø3.5x12mm	2pcs
	f		2pcs		m	Ø6x30mm Ø4x35mm	2pcs
	g		2pcs		n	M4x13mm	4pcs

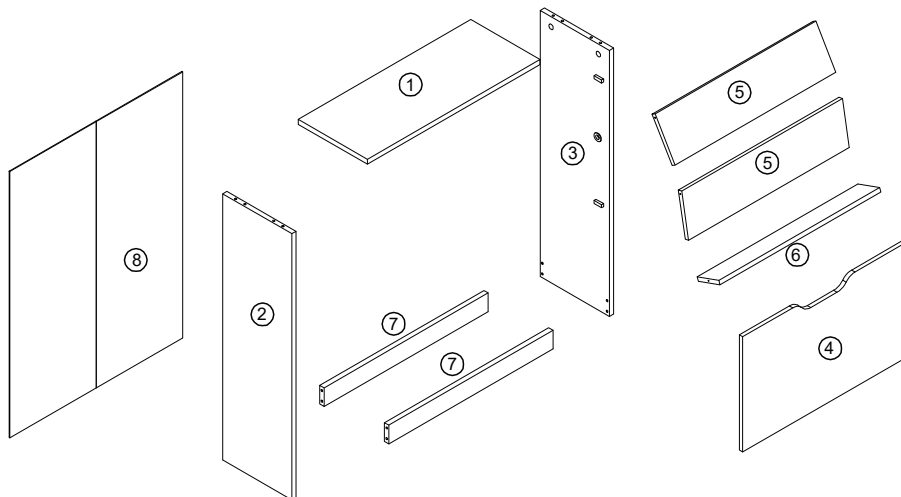
	①	1PC		②	1PC		③	1PC
	④	2PCS		⑤	4PCS		⑥	2PCS
	⑦	2PCS		⑧	1PC		Tool Recommended: Philips Head Screwdriver (Not Included)	



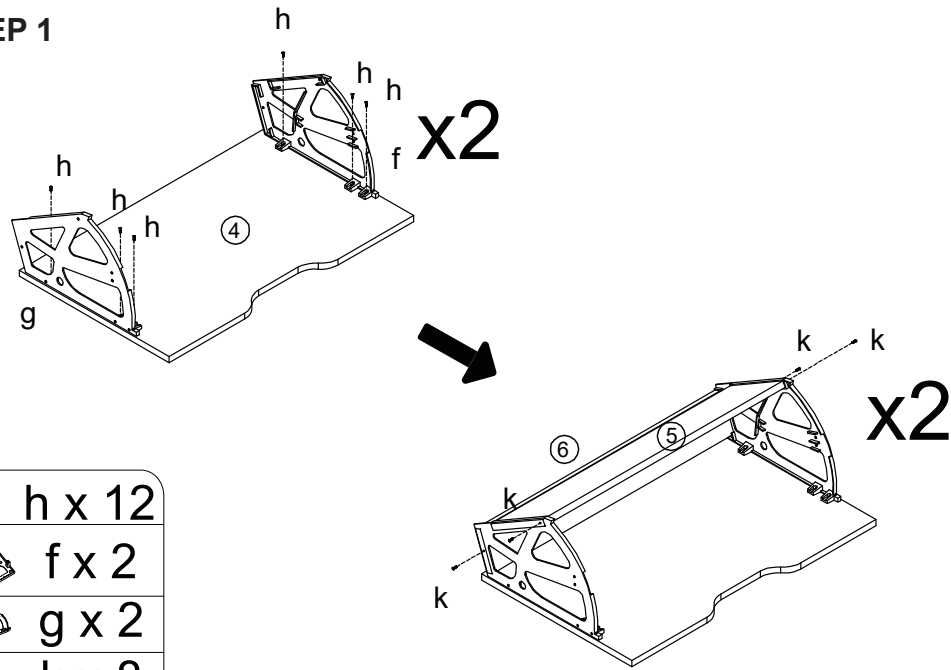
TOPPLING HAZARD

WARNING: PLEASE SECURE YOUR FURNITURE WITH THE SUPPLIED WALL FIXING. SCAN THE CODE FOR MORE INFORMATION.





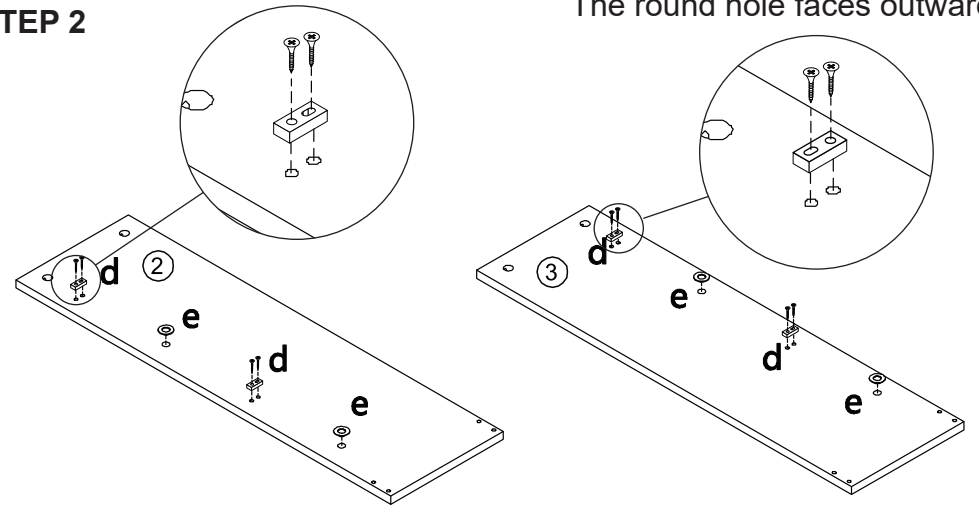
STEP 1



	h x 12
	f x 2
	g x 2
	k x 8

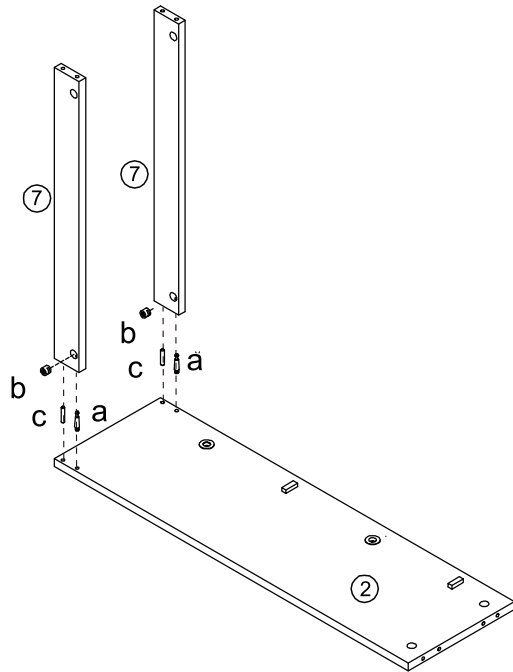
STEP 2

The round hole faces outward



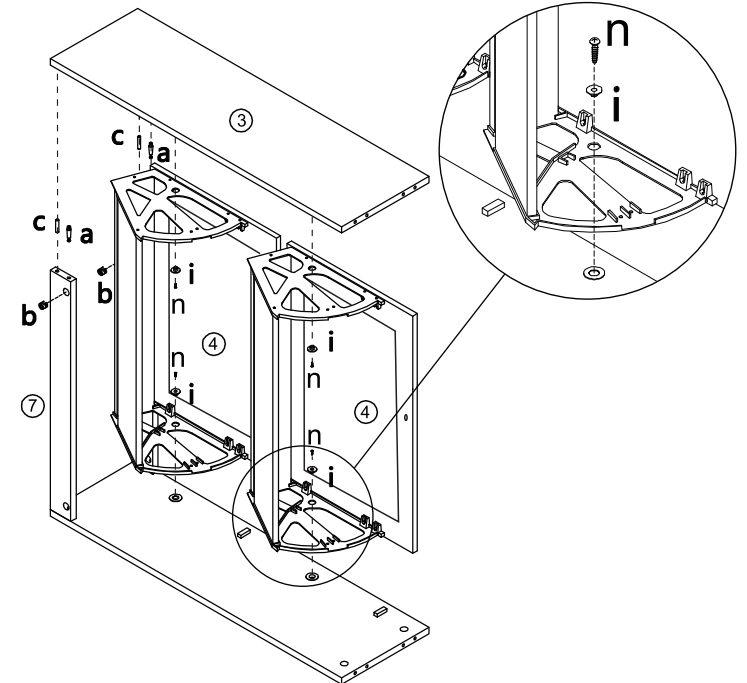
	d x 4
	e x 4

STEP 3



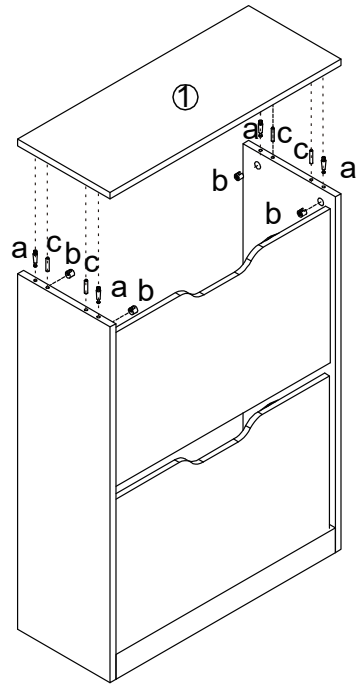
	a x 2
	b x 2
	c x 2

STEP 4



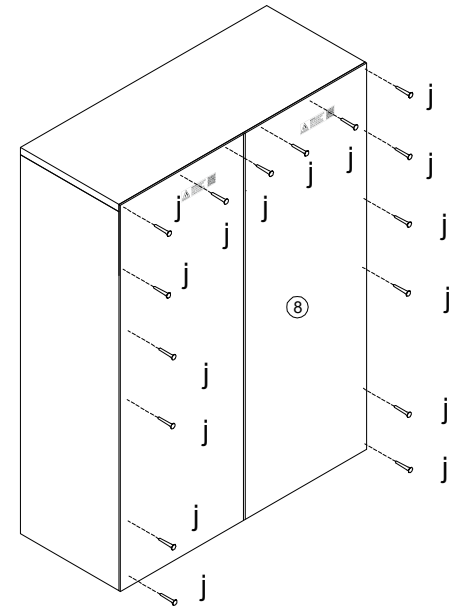
	n x 4
	i x 4

STEP 5



	a x 4
	b x 4
	c x 4

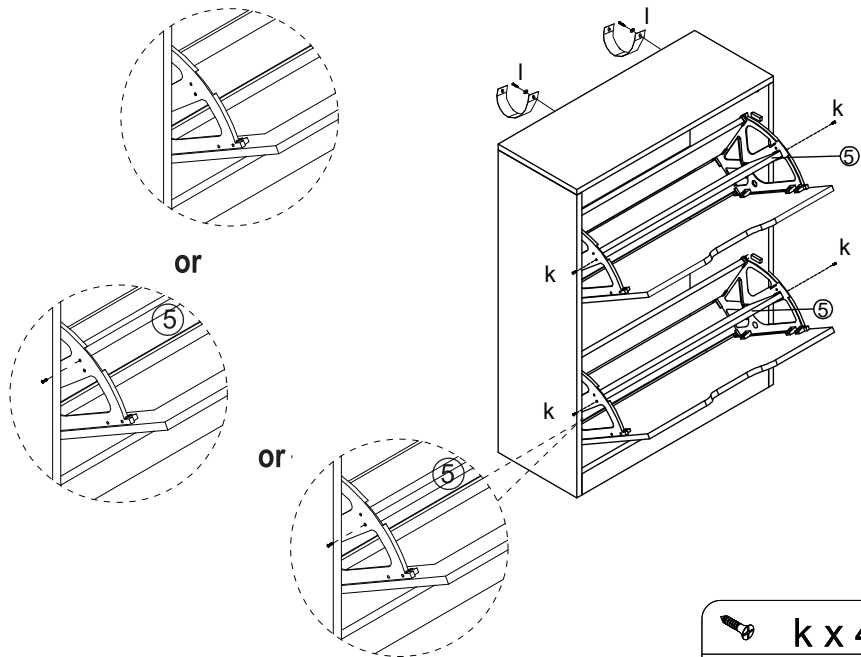
STEP 6



	j x 16
--	--------

HAMMER REQUIRED
(NOT PROVIDED)

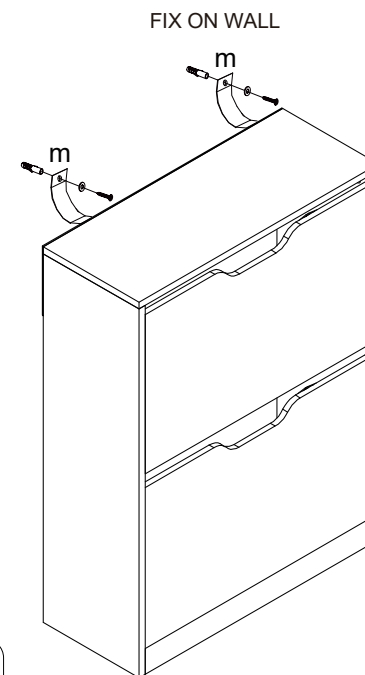
STEP 7



	k x 4
	l x 2

NOTE: Board ⑤ is adjustable or removable to fit different shoes sizes.

STEP 8



	m x 2
--	-------

User instructions for wall fixings:

It is strongly recommended that this product is permanently fixed to the wall. Please seek professional advice if you are in doubt of what fixing device to use. Regularly check that wall fixings are securely maintained. Stability of tall items may be affected by thick pile carpet or uneven floors. Do not place unanchored televisions on furniture.

Caution: for your safety when attaching the wall fixings check any electrical wires or plumbing inside the wall before drilling any holes (if you are unsure please seek professional advice from a qualified trades person).