






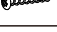

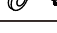

# Assembly Instructions







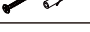

## 43395446 CAMILLE CONSOLE OO

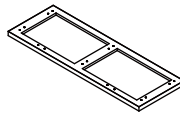
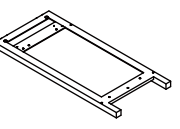
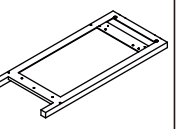
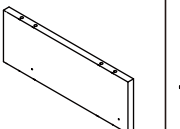
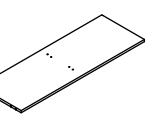
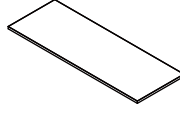
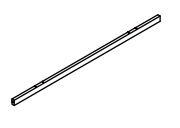
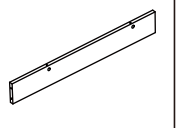
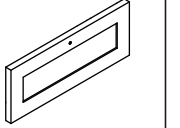
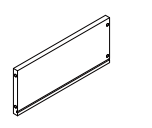
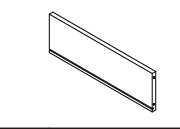
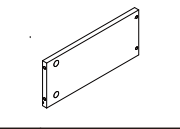
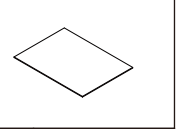
**WARNING:** DO NOT STAND, SIT OR LEAN ON THIS UNIT. DO NOT USE THIS TABLE AS A STEP LADDER OR AS A CHOPPING SURFACE. ENSURE THIS TABLE IS USED ONLY ON A FLAT SURFACE. DO NOT USE THIS TABLE UNLESS ALL BOLTS AND SCREWS ARE FIRMLY SECURED. KEEP AWAY FROM CHILDREN AND BABIES. THIS PACKAGE CONTAINS SMALL PARTS AND SHARP POINTS. ADULT ASSEMBLY REQUIRED. A MILD ODOUR MAY BE PRESENT WHEN FIRST OPENING THIS CARTON. SIMPLY ALLOW TO AIR OUTSIDE AND THIS WILL FADE.

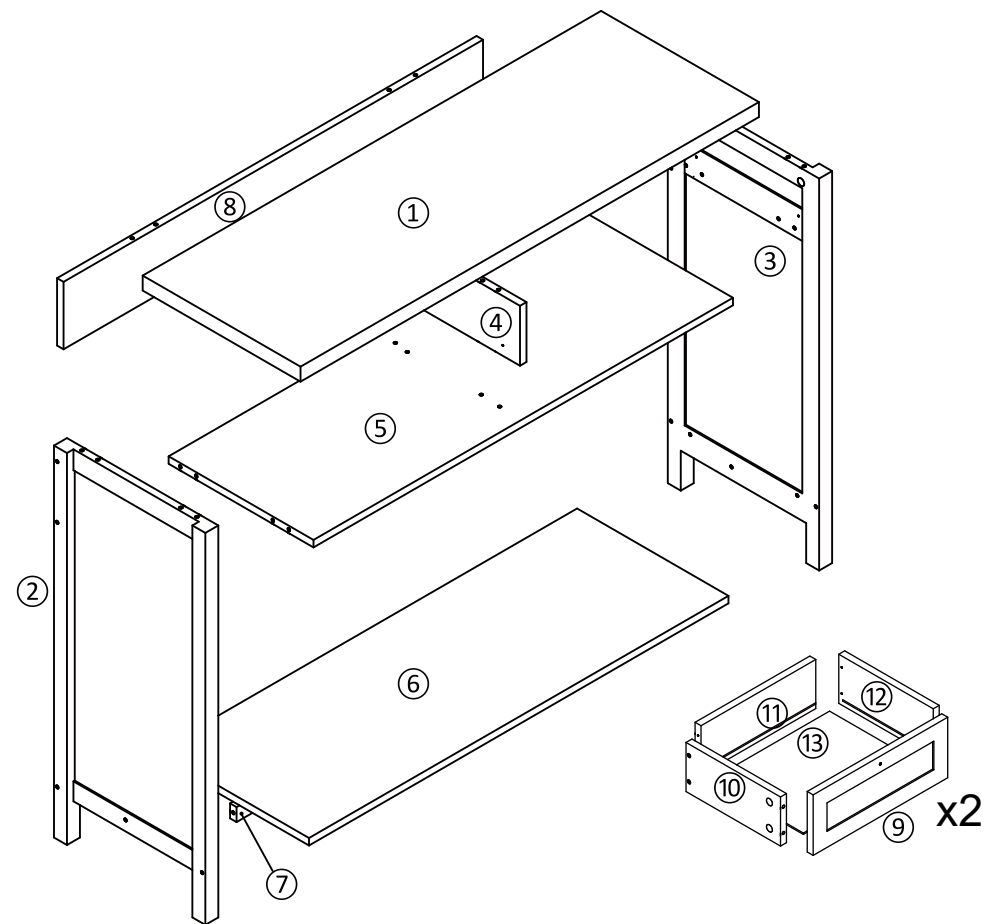
**CARE INSTRUCTIONS:** TO BE ASSEMBLED ON A CLEAN, DRY AND SMOOTH SURFACE. WIPE CLEAN WITH A SOFT DAMP CLOTH. NEVER USE SCOURERS, ABRASIVES OR CHEMICAL SOLVENTS. CHECK AND TIGHTEN ALL PARTS REGULARLY. KEEP AWAY FROM MOISTURE AND DIRECT SUNLIGHT. STORE IN A DRY PLACE. FOR INDOOR USE ONLY.

**MAXIMUM SAFE LOAD:BOARD 15KG DRAWER:5KG**

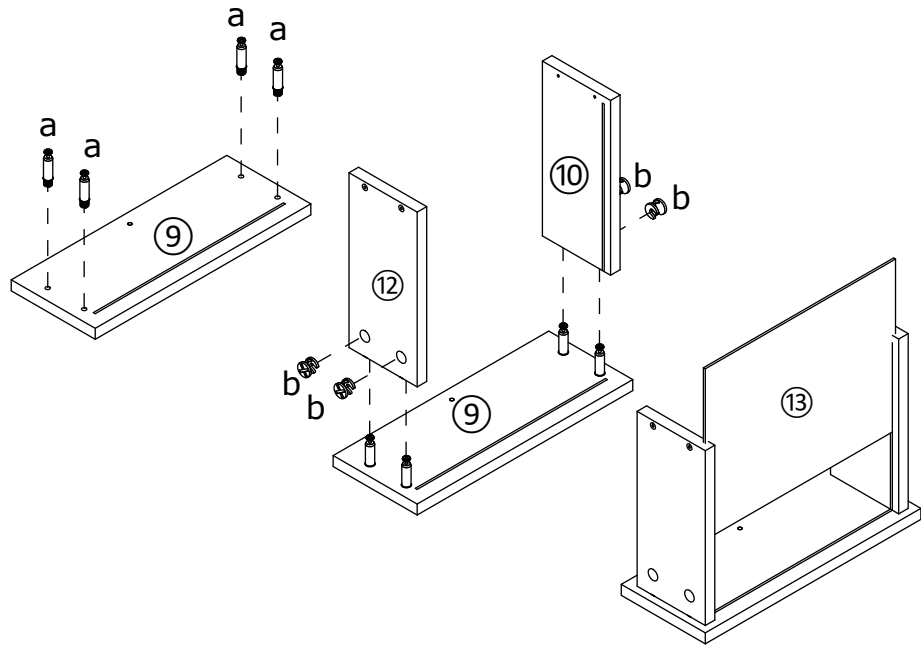
	a	M6X35	20pcs
	b	M15X10	20pcs
	c	M3X12	28pcs
	d	M6X30	22pcs
	e	M4X35	12pcs
	f	M4X40	2pcs
	g	M6X55	10pcs
	s		2sets
	t		10pcs

	h		10pcs
	i		2pcs
	j		2pcs
	k		2pcs
	l		2pcs
	m		2sets
	n		2sets
	r		4pcs






									
①	1pc	②	1pc	③	1pc	④	1pc	⑤	1pc
									
⑥	1pc	⑦	1pc	⑧	1pc	⑨	2pcs	⑩	2pcs
									
⑪	2pcs	⑫	2pcs	⑬	2pcs				

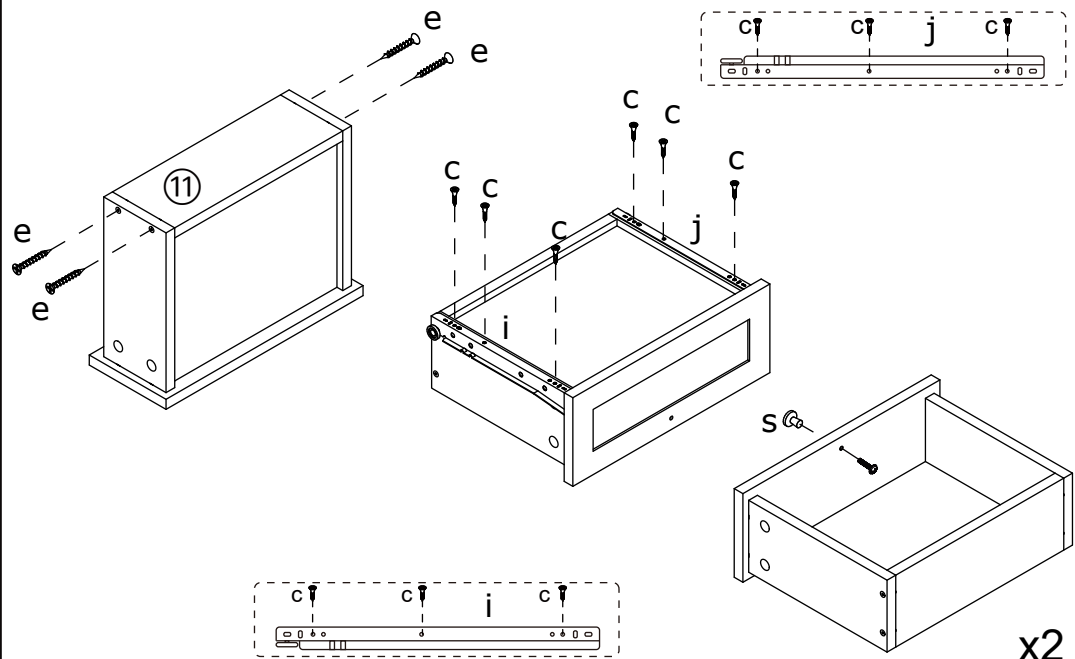


STEP 1  ax8  bx8






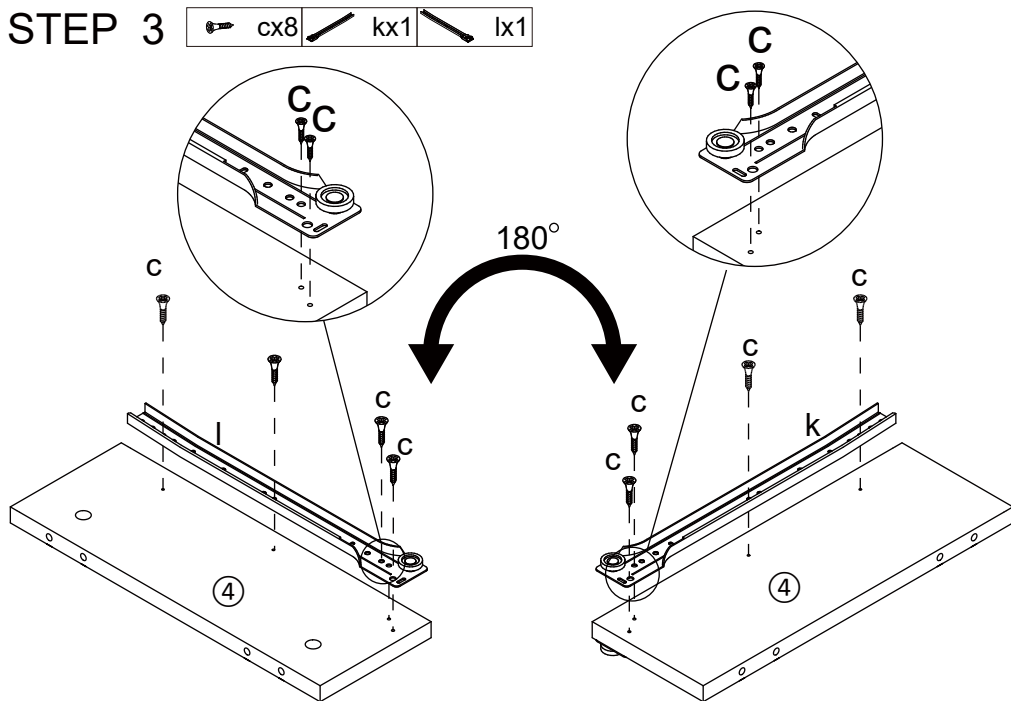
x2

STEP 2  ex8  cx12  jx2  ix2  sx2

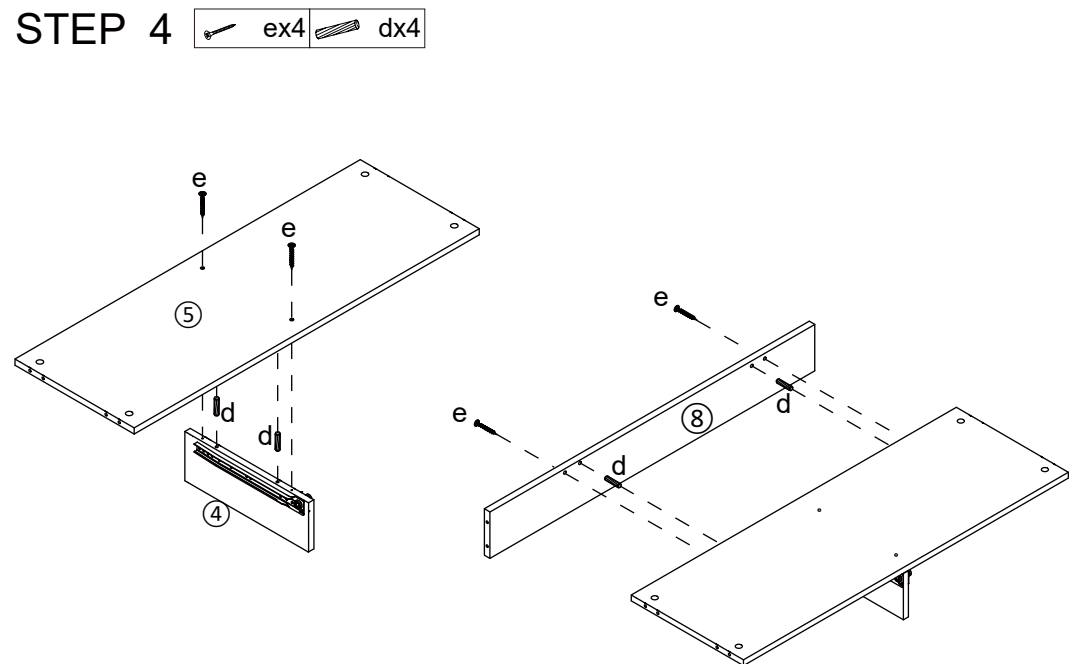


x2

STEP 3  cx8  kx1  lx1

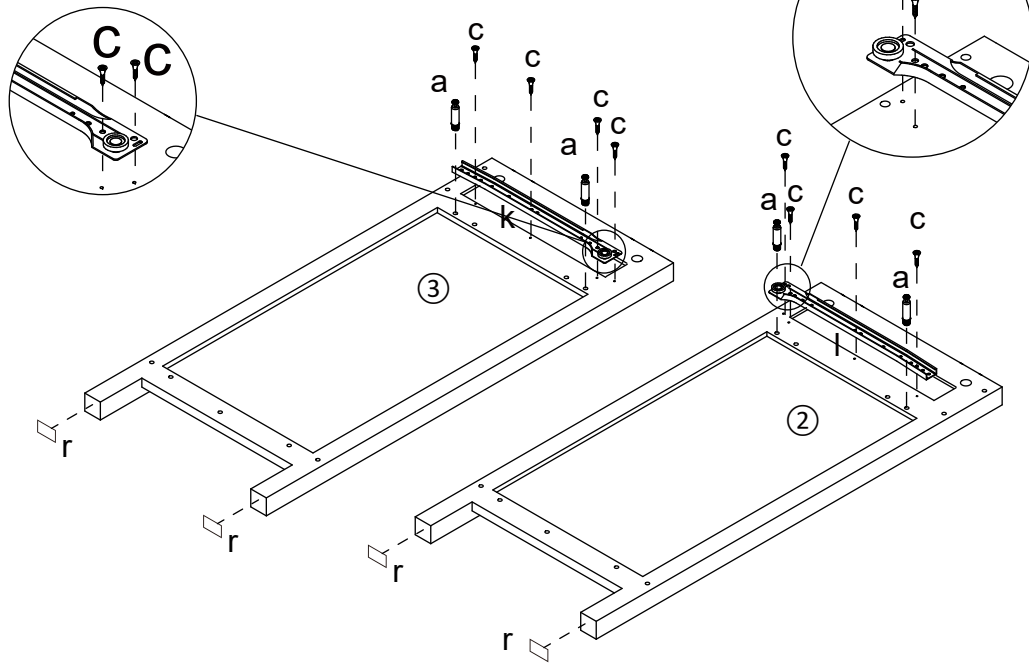


STEP 4  ex4  dx4



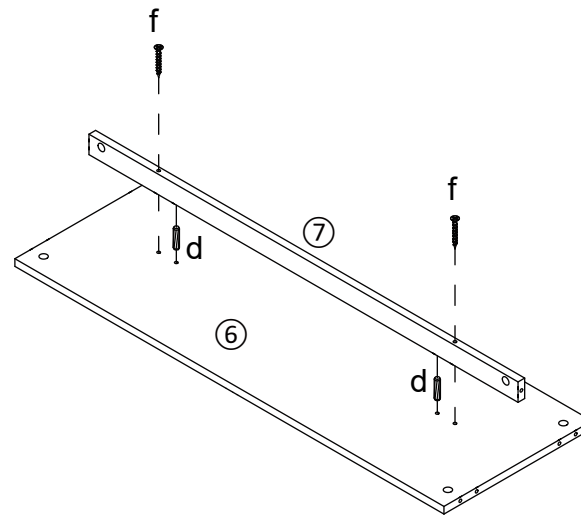
### STEP 5

ax4 cx8 kx1 lx1



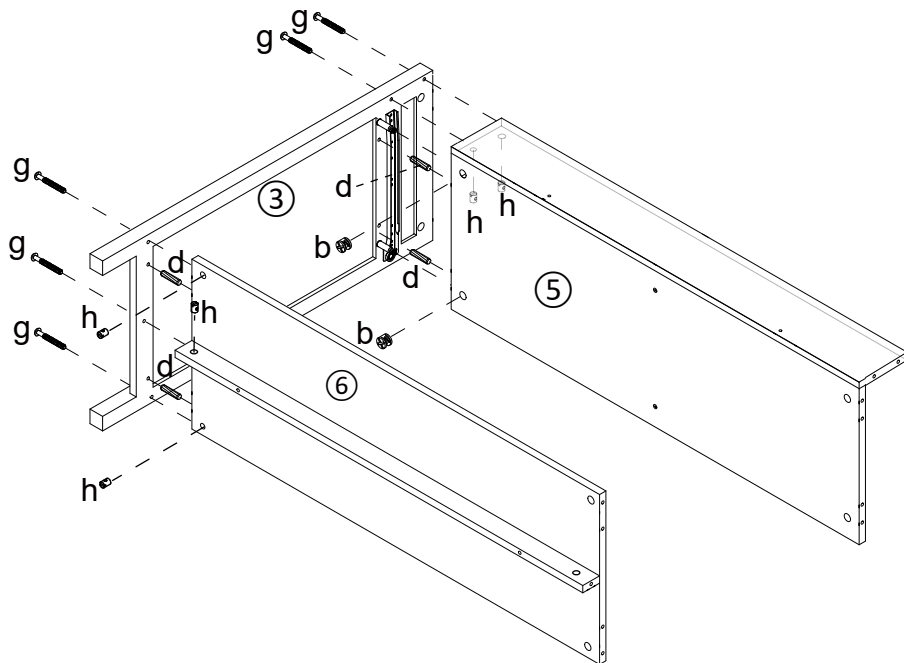
### STEP 6

dx2 fx2



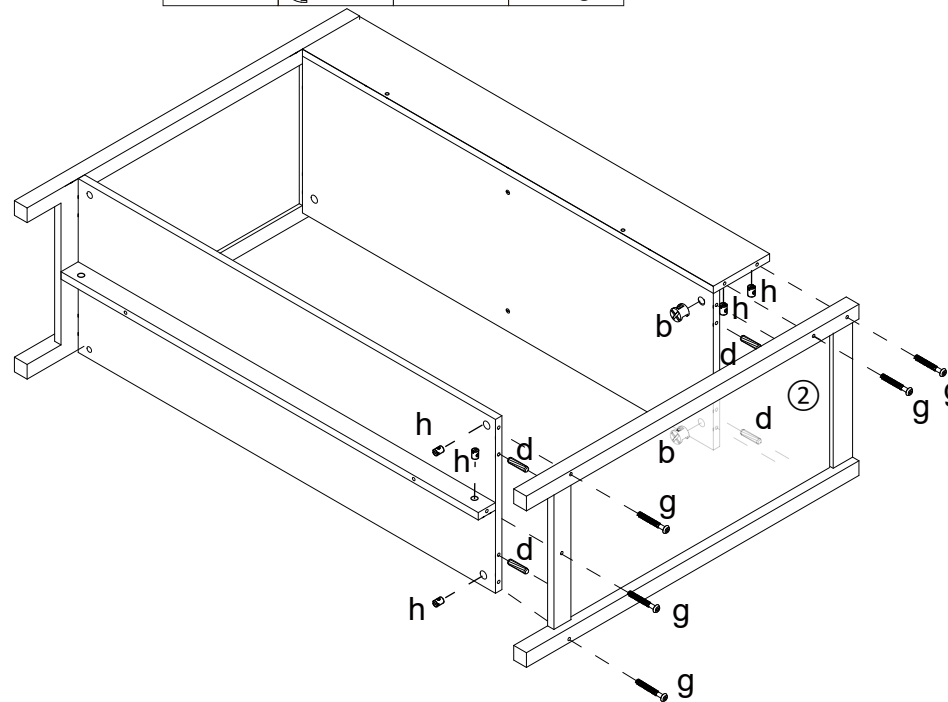
### STEP 7

dx4 bx2 hx5 gx5

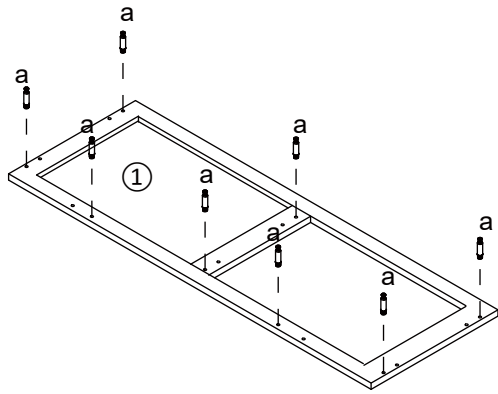


### STEP 8

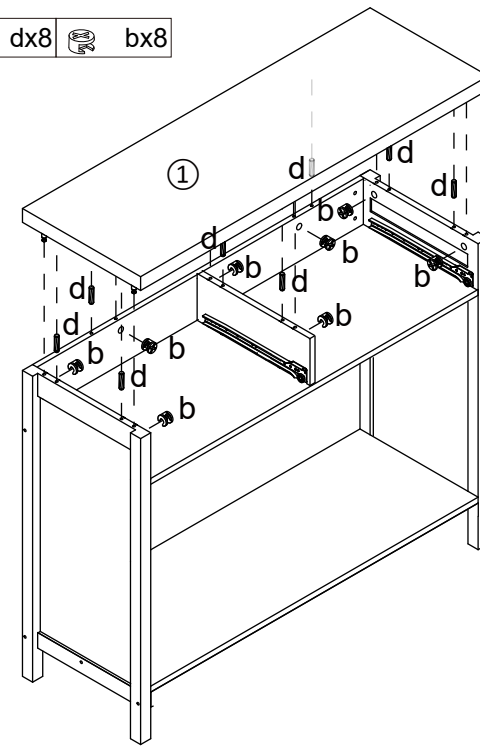
dx4 bx2 hx5 gx5



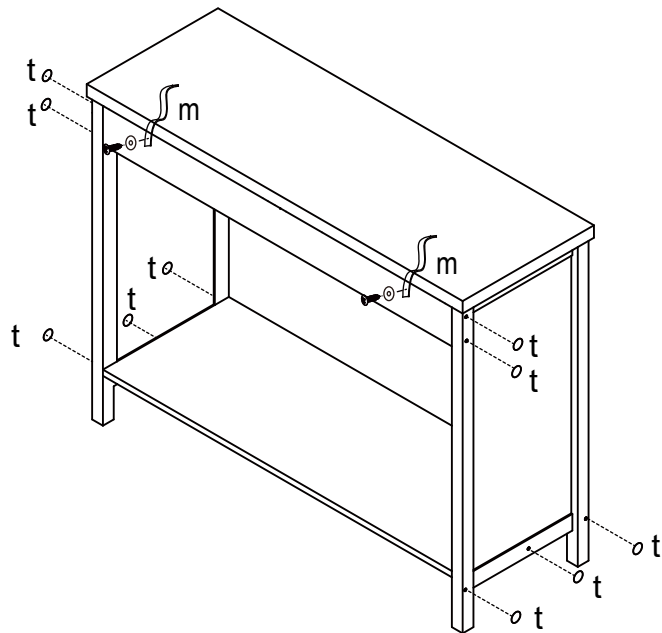
STEP 9  ax8



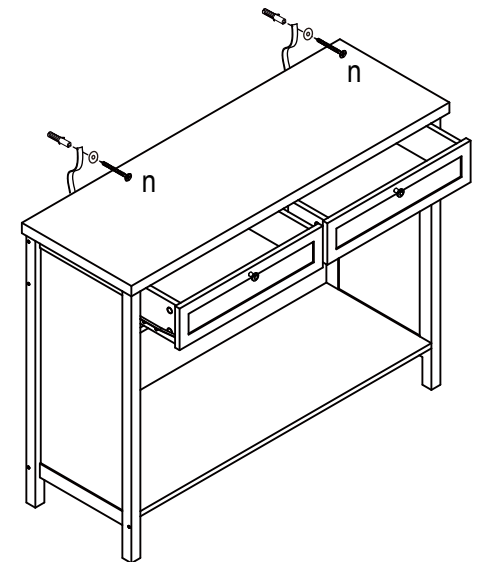
STEP 10  dx8  bx8



STEP 11  mx2  tx10



STEP 12  nx2



Warning:

- It is strongly recommended that this product is permanently fixed to the wall.
- Please seek professional advice if you are in doubt of what fixing device to use.
- Regularly check that anchors are securely maintained.
- Stability of tall items may be affected by thick pile carpet or uneven floors.
- Do not place unanchored televisions on cabinet.

Caution: for your safety when attaching the anchor fixings, please note the following:

- Check any electrical wires or plumbing inside the wall before drilling any holes (if you are unsure please seek professional advice from a qualified tradesperson).



WARNING: PLEASE SECURE YOUR FURNITURE WITH THE SUPPLIED WALL FIXING. SCAN THE CODE FOR MORE INFORMATION.

