

# Assembly Instructions








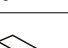

## 43395453 HAMPTONS CROSS SIDE TABLE

**WARNING:** DO NOT STAND, SIT OR LEAN ON THIS UNIT. DO NOT USE THIS UNIT AS A STEP LADDER OR AS A CHOPPING SURFACE. KEEP AWAY FROM CHILDREN AND BABIES. USE ONLY ON A FLAT SURFACE. DO NOT USE THIS UNIT UNLESS ALL BOLTS AND SCREWS ARE FIRMLY SECURED. ADULT ASSEMBLY REQUIRED. FAILURE TO FOLLOW THESE WARNINGS COULD RESULT IN SERIOUS INJURY.

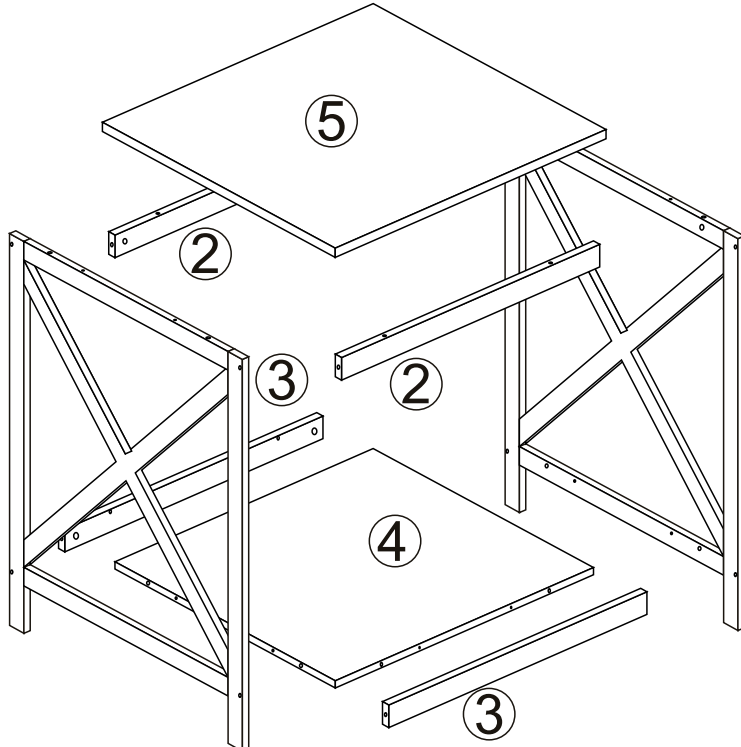
**CARE INSTRUCTIONS:** TO BE ASSEMBLED ON A CLEAN, DRY AND SMOOTH SURFACE. WIPE CLEAN WITH A SOFT DAMP CLOTH. NEVER USE SCOURERS, ABRASIVES OR CHEMICAL SOLVENTS. CHECK AND TIGHTEN ALL PARTS REGULARLY. KEEP AWAY FROM MOISTURE AND DIRECT SUNLIGHT. STORE IN A DRY PLACE. FOR INDOOR AND DOMESTIC USE ONLY.

**MAXIMUM SAFE LOAD: 5KG FOR TOP, 5KG FOR SHELF.**

### ① Hardware List

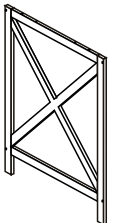
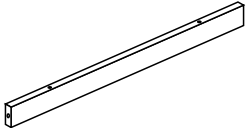
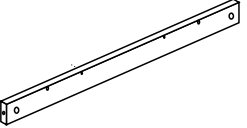
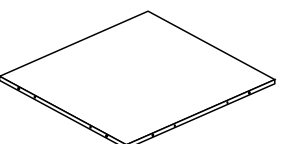
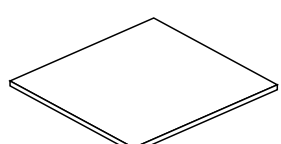
	A	M5x35mm	12PCS		G		1PC
	B	M12x10mm	12PCS		H	M4x35mm	4PCS
	C	M6x30mm	12PCS		I	M10x10mm	8PCS
	D	M6x50mm	8PCS				
	E		4PCS				
	F		8PCS				

### ③

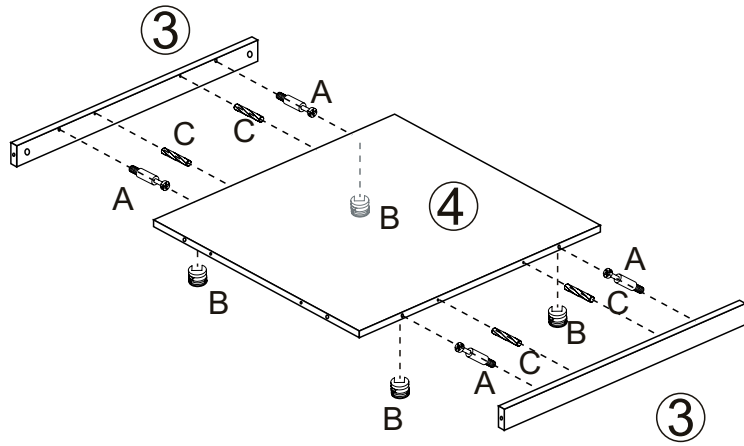
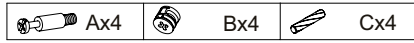


Do not tighten the screws fully during assembly.  
Fully tighten screws after the final assembly steps

### ②

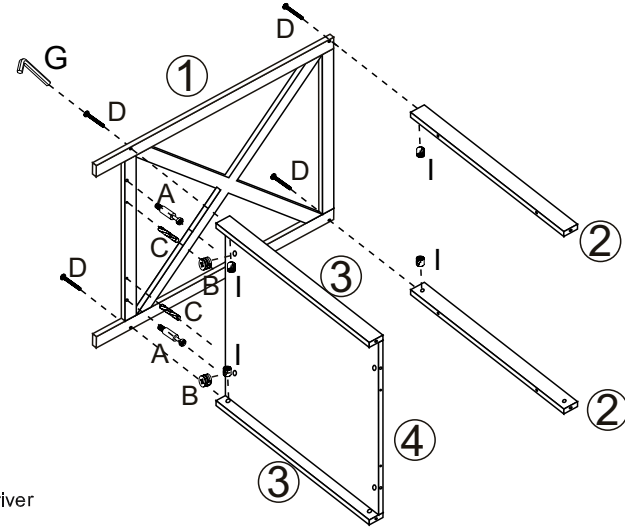
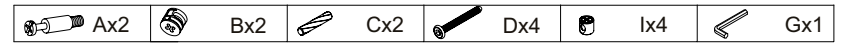
	①	2PCS		②	2PCS		③	2PCS
	④	1PC		⑤	1PC			

### STEP 1:



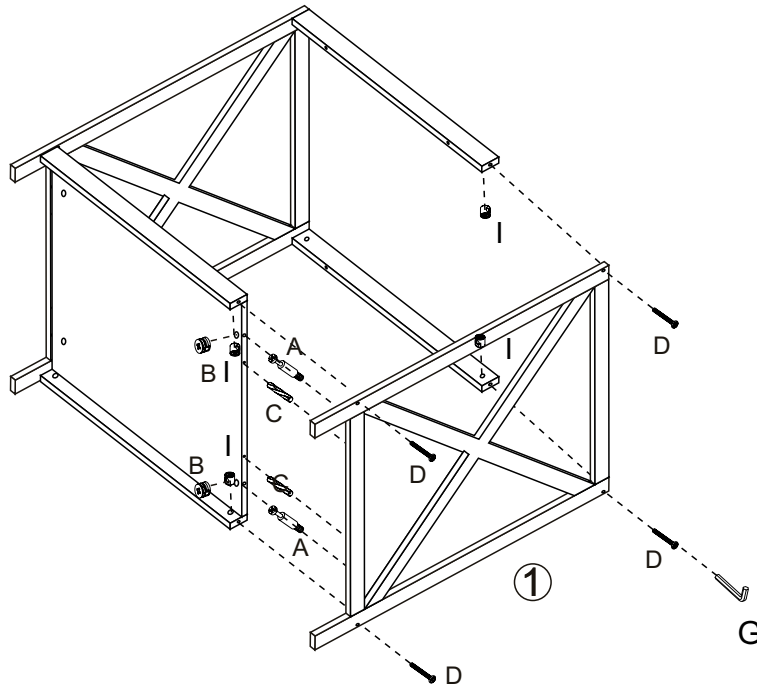
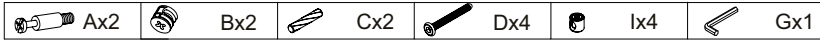
Tool required  
Phillips Head Screw Driver  
(Not Provided)

### STEP 2:



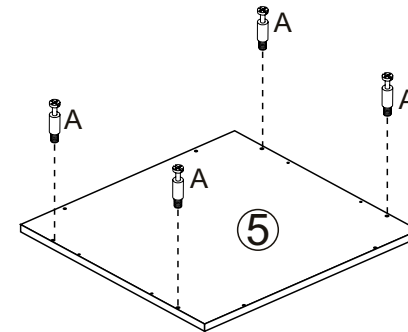
Tool required  
Phillips Head Screw Driver  
(Not Provided)

### STEP 3:



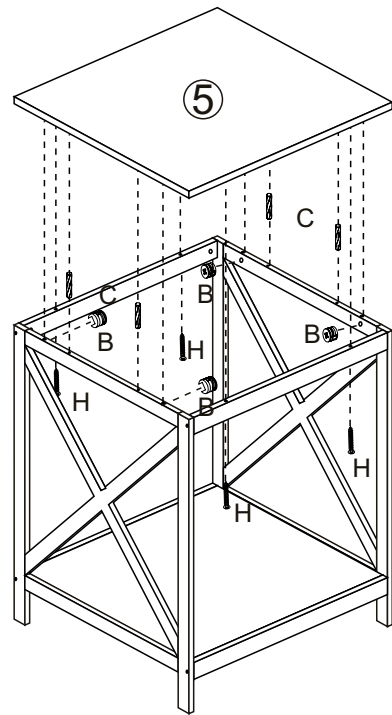
Tool required  
Phillips Head Screw Driver  
(Not Provided)

### STEP 4:



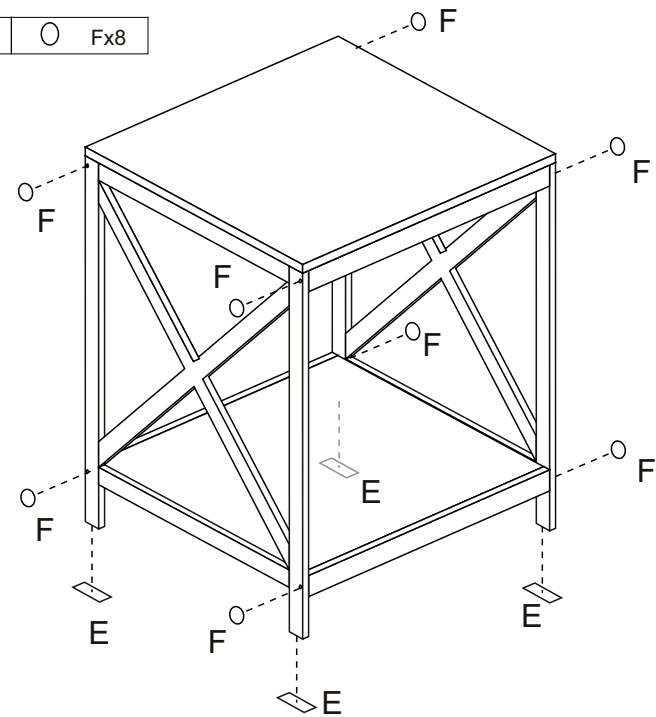
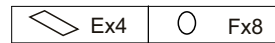
Tool required  
Phillips Head Screw Driver  
(Not Provided)

### STEP 5:



Tool required  
Philips Head Screw Driver  
(Not Provided)

### STEP 6:



### STEP 7:

