









Assembly Instructions










43395477 CARTER ARCHED CHEST OF DRAWERS

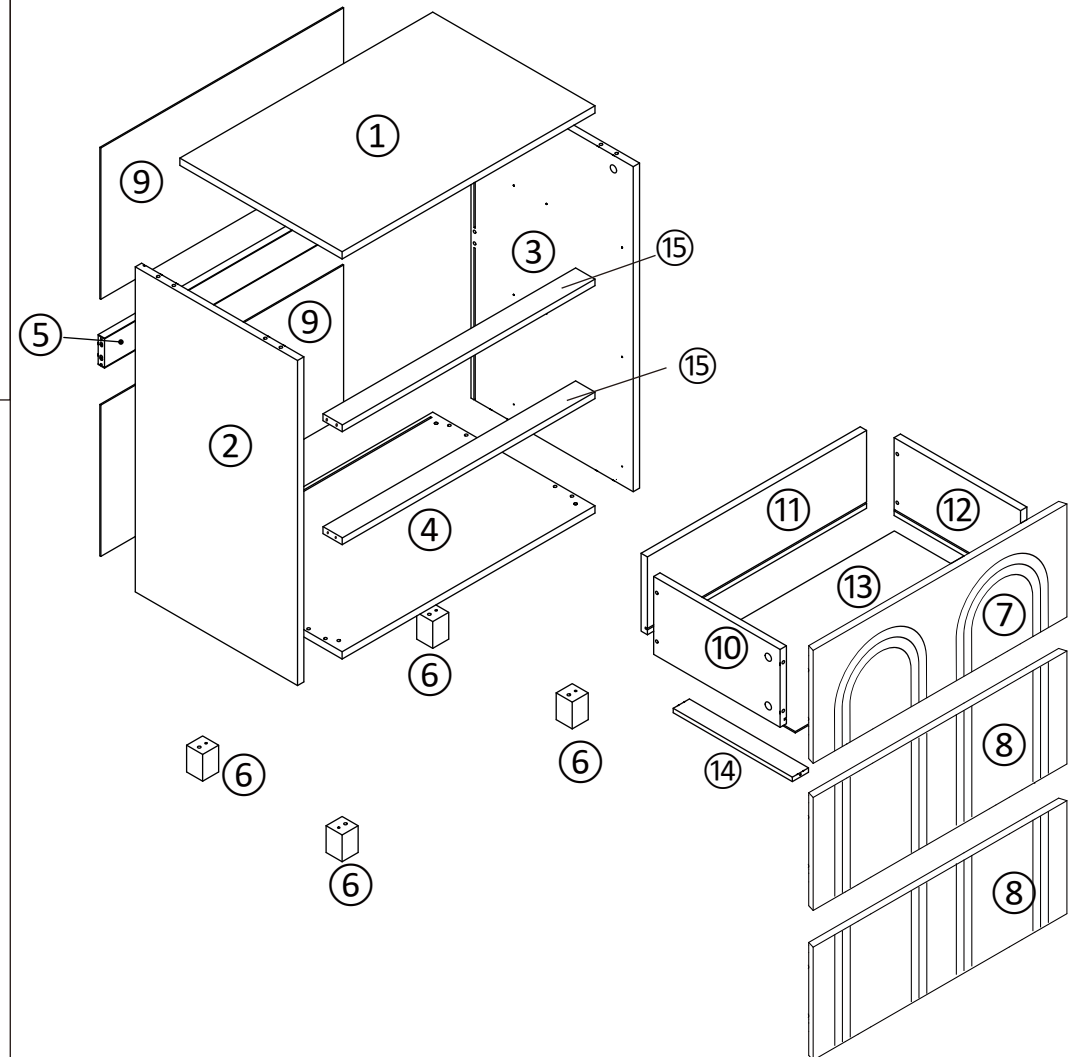
WARNING: DO NOT STAND OR SIT ON THIS UNIT. DO NOT USE THIS UNIT UNLESS ALL BOLTS AND SCREWS ARE FIRMLY SECURED. DO NOT KNOCK OR DRAG THIS UNIT. USE ONLY ON A FLAT SURFACE. ADULT ASSEMBLY REQUIRED. FAILURE TO FOLLOW THESE WARNINGS COULD RESULT IN SERIOUS INJURY. LOAD DRAWER EVENLY TO PREVENT FROM TIPPING OVER. THIS PACKAGE CONTAINS SMALL PARTS AND SHARP POINTS. KEEP AWAY FROM CHILDREN AND BABIES.

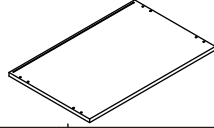
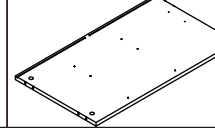
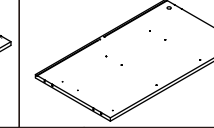
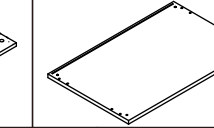

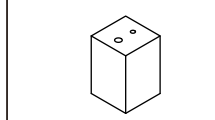
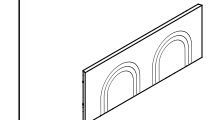
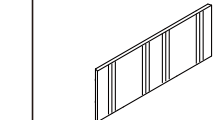
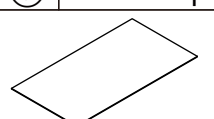
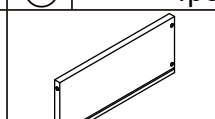
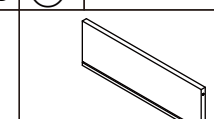
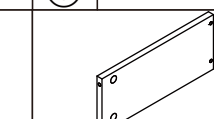
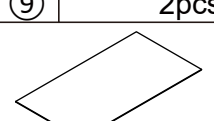
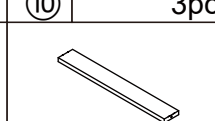
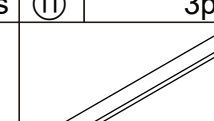
CARE INSTRUCTIONS: WIPE CLEAN WITH A DRY CLOTH. DO NOT USE ABRASIVE MATERIALS AND SOLVENTS. CHECK AND TIGHTEN ALL PARTS REGULARLY. DO NOT PLACE HOT ITEMS SUCH AS COFFEE CUPS DIRECTLY ON THE SURFACE. KEEP AWAY FROM WATER AND DIRECT SUNLIGHT. STORE IN A DRY PLACE. FOR DOMESTIC USE ONLY. FOR INDOOR USE ONLY. A MILD ODOUR MAY BE PRESENT WHEN FIRST OPENING THIS CARTON. SIMPLY ALLOW TO AIR OUTSIDE AND THIS WILL FADE.

MAXIMUM SAFE LOAD:TOP 15KG DRAWER:7KG

	a	M6x35	27pcs
	b	M15x10	27pcs
	c	M3x12	42pcs
	d	M6x30	12pcs
	e	M4x35	19pcs
	f	M4x50	4pcs
	g		3pcs
	h		3pcs

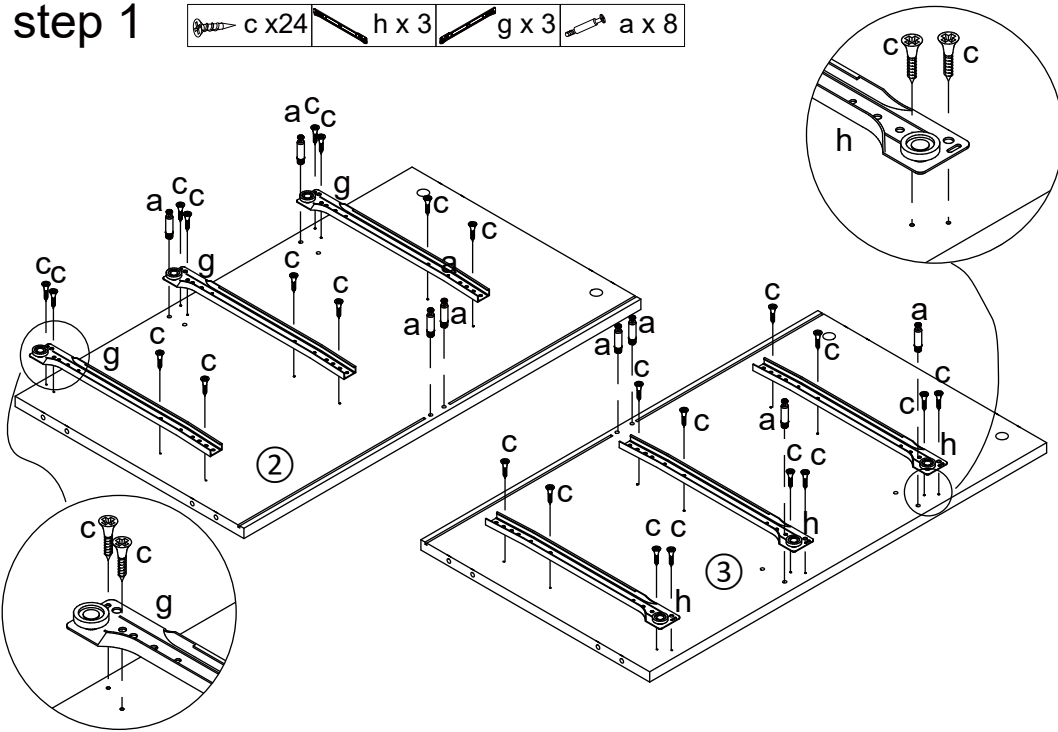
	i		3pcs
	j		3pcs
	k	M3x14	8pcs
	m		8pcs
	n		2sets
	s		2sets
	o		1pc
	r	M8x30	4pcs
	t		4pcs



			
① 1pc	② 1pc	③ 1pc	④ 1pc
			
⑤ 1pc	⑥ 4pcs	⑦ 1pc	⑧ 2pcs
			
⑨ 2pcs	⑩ 3pcs	⑪ 3pcs	⑫ 3pcs
			
⑬ 3pcs	⑭ 3pcs	⑮ 2pcs	

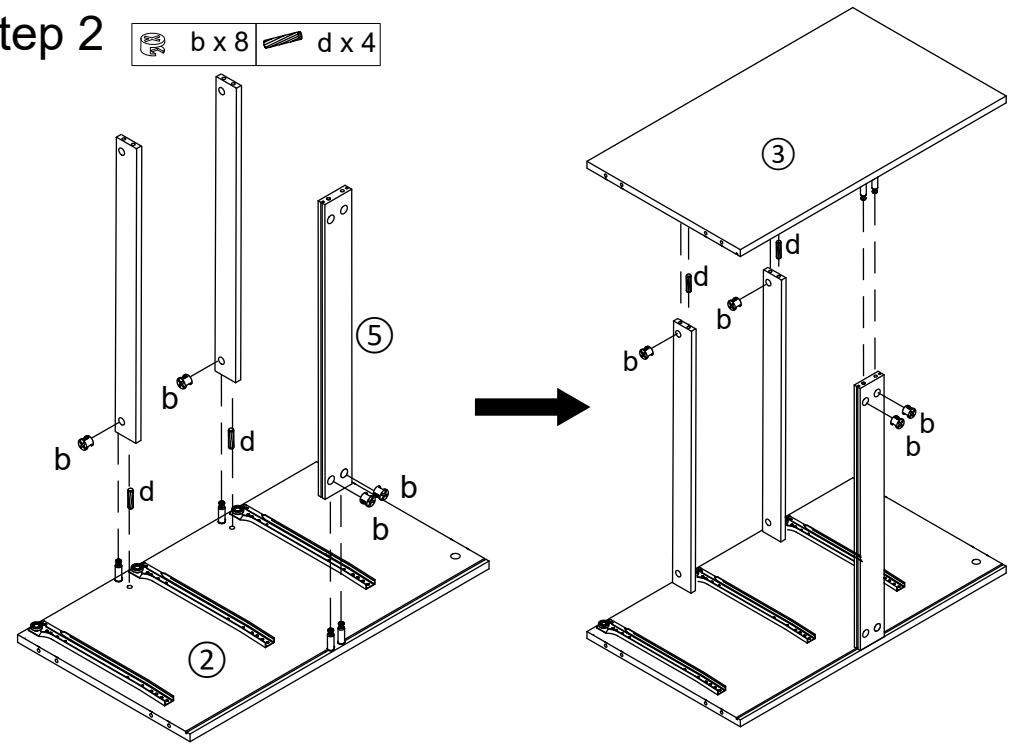
step 1

c x 24 h x 3 g x 3 a x 8



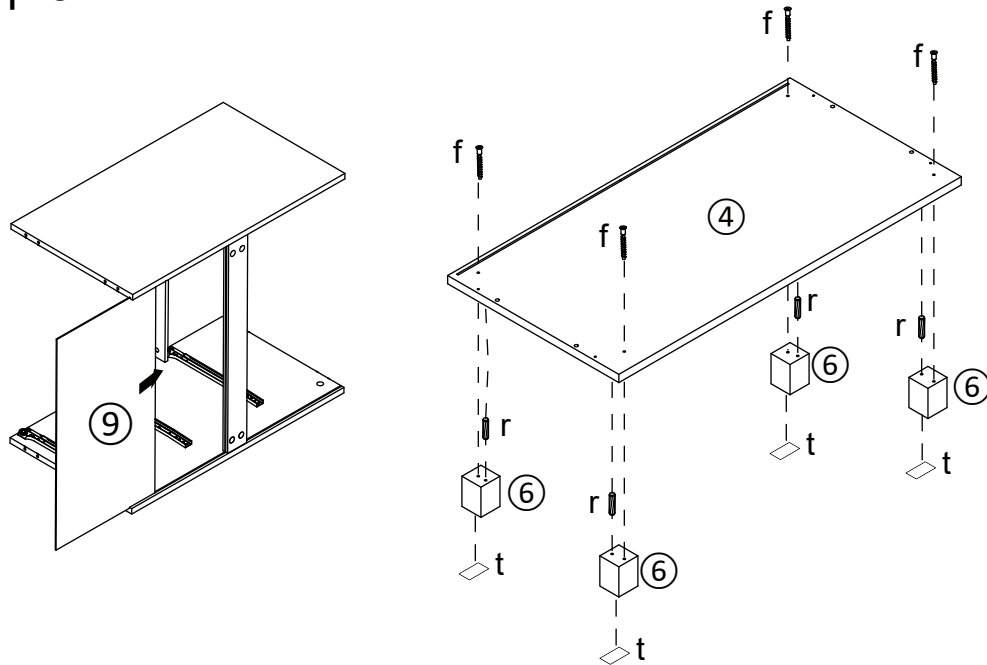
step 2

b x 8 d x 4



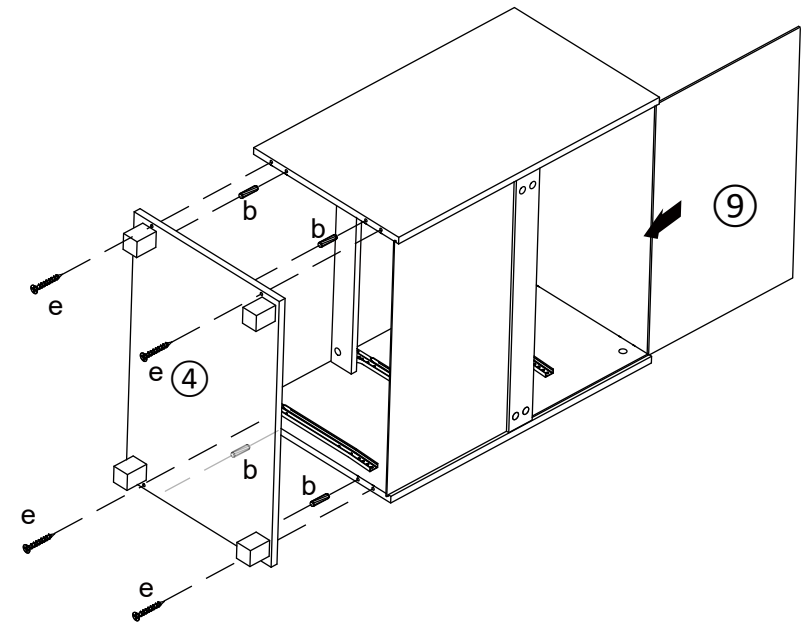
step 3

r x 4 fx 4 tx 4

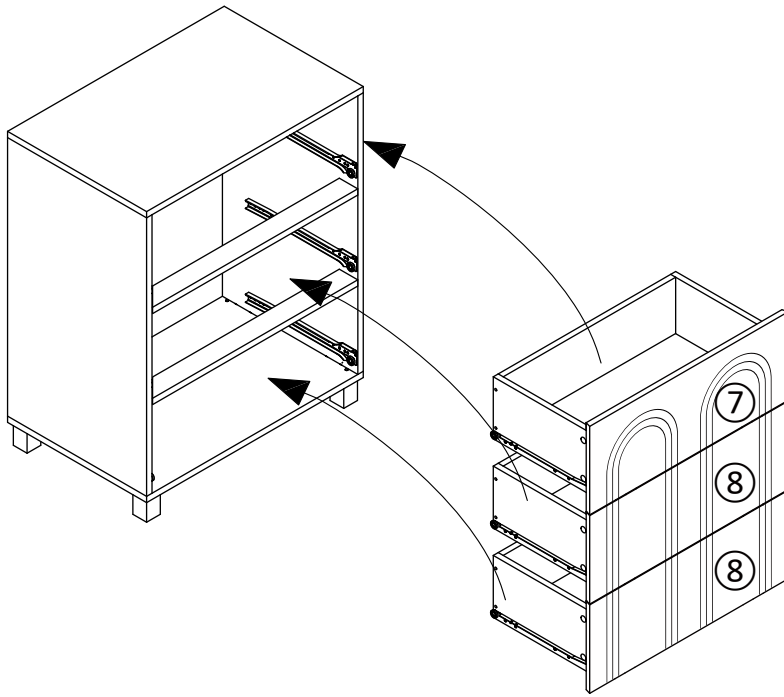


step 4

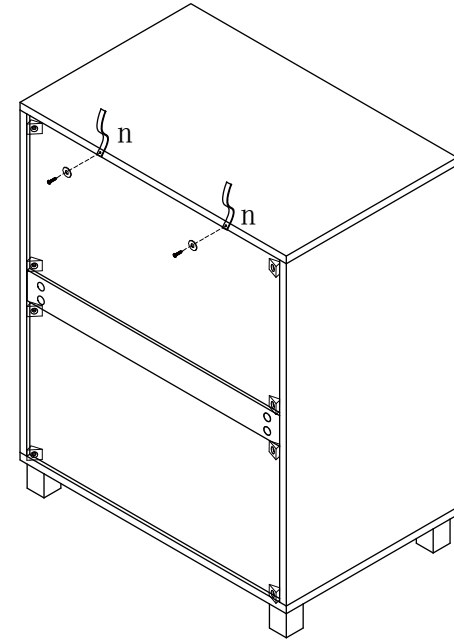
d x 4 ex 4



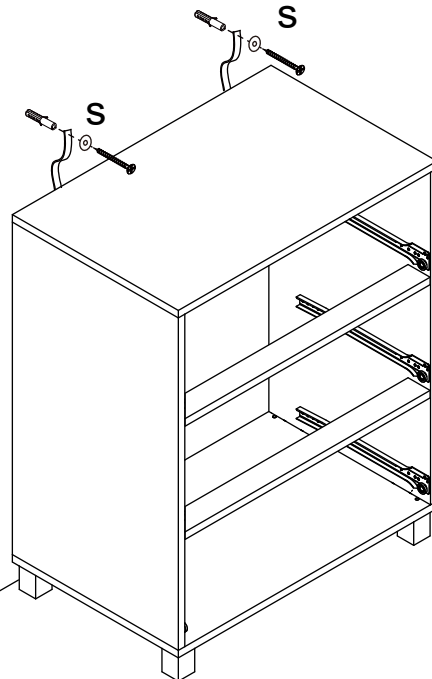
step 9



step 10  n x 2



step 11  s x 2



Warning:

- It is strongly recommended that this product is permanently fixed to the wall.
- Please seek professional advice if you are in doubt of what fixing device to use.
- Regularly check that anchors are securely maintained.
- Stability of tall items may be affected by thick pile carpet or uneven floors.
- Do not place unanchored televisions on cabinet.

Caution: for your safety when attaching the anchor fixings, please note the following:

- Check any electrical wires or plumbing inside the wall before drilling any holes (if you are unsure please seek professional advice from a qualified tradesperson).



WARNING: PLEASE SECURE YOUR FURNITURE WITH THE SUPPLIED WALL FIXING. SCAN THE CODE FOR MORE INFORMATION.

