

Assembly Instructions

43400225 KARLA CHEST OF DRAWERS

CARE INSTRUCTIONS:

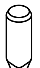





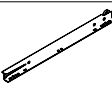

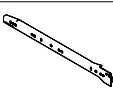
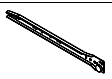






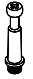






WIPE CLEAN WITH A SOFT DAMP CLOTH. NEVER USE SCOURERS, ABRASIVES OR CHEMICAL SOLVENTS. KEEP AWAY FROM MOISTURE AND DIRECT SUNLIGHT. STORE IN A DRY PLACE. FOR INDOOR USE ONLY.

WARNING:

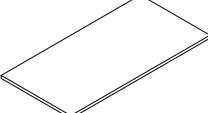
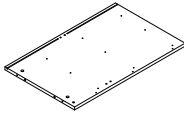
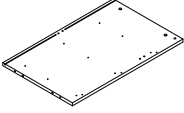
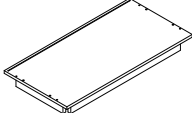
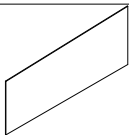
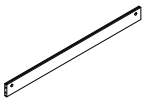
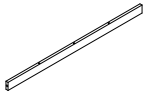

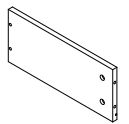
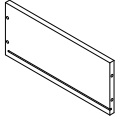
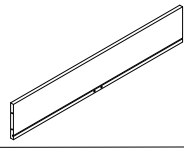
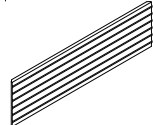
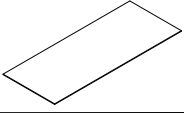
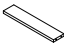
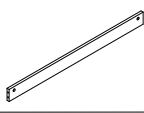
DO NOT STAND, SIT OR LEAN ON THE UNIT. DO NOT USE THIS UNIT AS A STEP LADDER. ENSURE THIS UNIT IS USED ONLY ON A FLAT SURFACE. DO NOT USE THIS UNIT UNLESS ALL BOLTS AND SCREWS ARE FIRMLY SECURED. DO NOT PLACE HOT OBJECTS SUCH AS COFFEE CUPS DIRECTLY ON THE SURFACE OF THIS FURNITURE ITEM. THIS ITEM IS FOR STORAGE PURPOSES ONLY. CONTAINS SMALL PARTS. IT IS TO BE ASSEMBLED BY AN ADULT.

MAXIMUM SAFE LOAD: Top: 15kg, Drawer: 7kg .

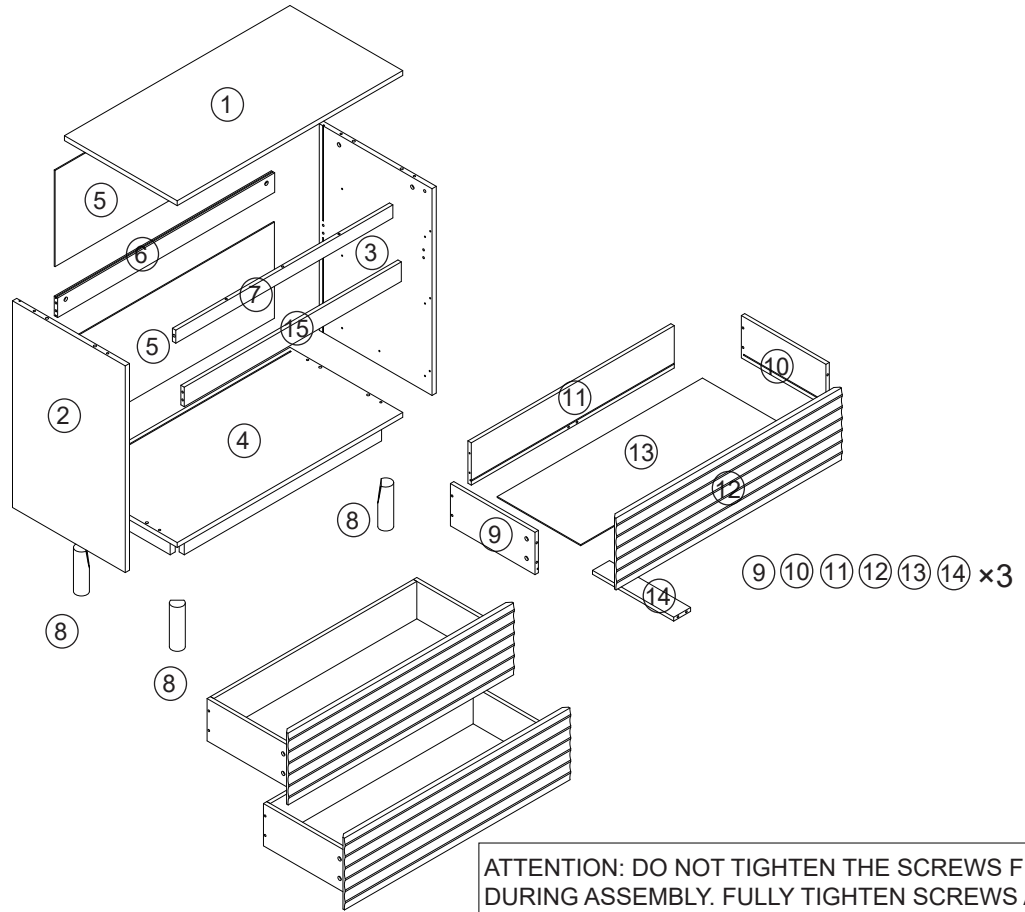
1 Hardware List

	A	8x30mm	14pcs		B	7x50mm	4pcs		C	4x30mm	18pcs
	D	6x40mm	8pcs		E	15x11mm	8pcs		F	3x12mm	50pcs
	G		3pcs		H		3pcs		I		3pcs
	J		3pcs		K		8pcs		L		8pcs
	M		8pcs		N		1pc		O		4pcs
	P	4x40mm	5pcs		Q	6x35mm	18pcs		R		18pcs
	S		2pcs		T		4pcs		U		2pcs
	V	3x14mm	2pcs		W		8pcs				

2 Parts List

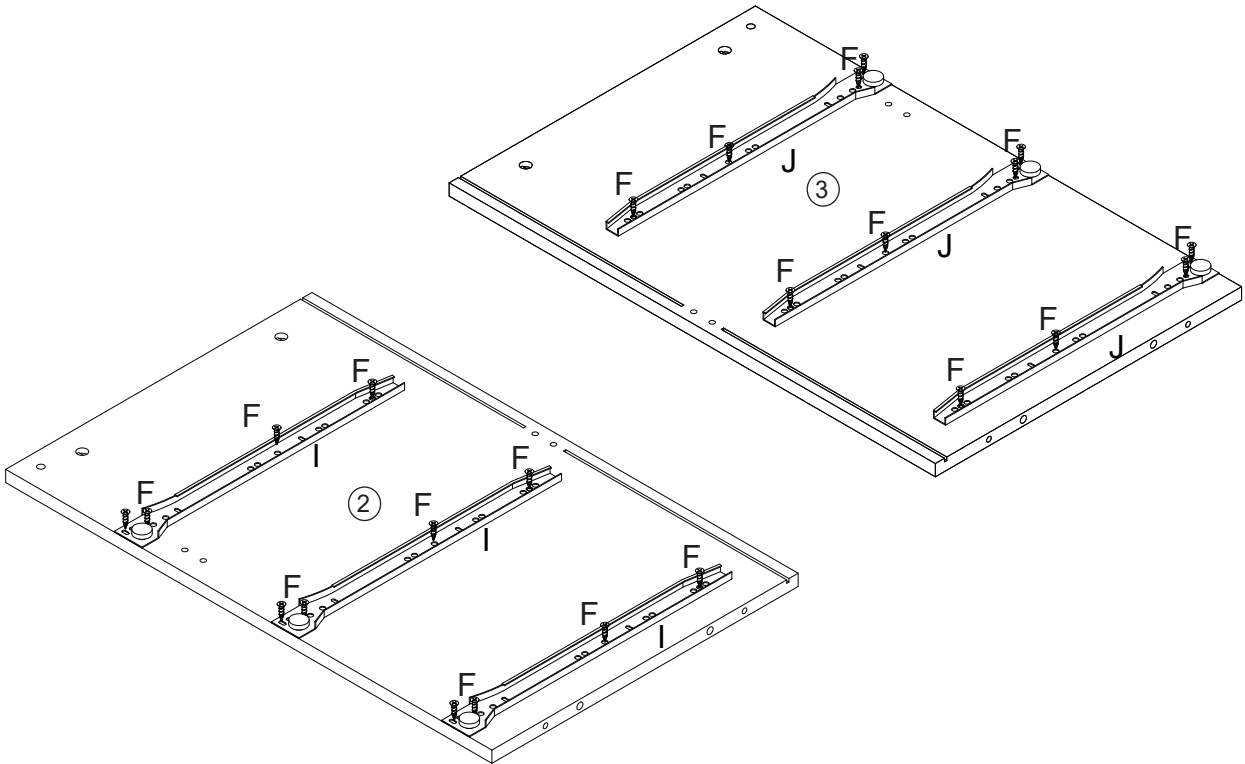
	①	1pc		②	1pc		③	1pc		④	1pc
	⑤	2pcs		⑥	1pc		⑦	1pc		⑧	4pcs
	⑨	3pcs		⑩	3pcs		⑪	3pcs		⑫	3pcs
	⑬	3pcs		⑭	3pcs		⑮	1pc			

3






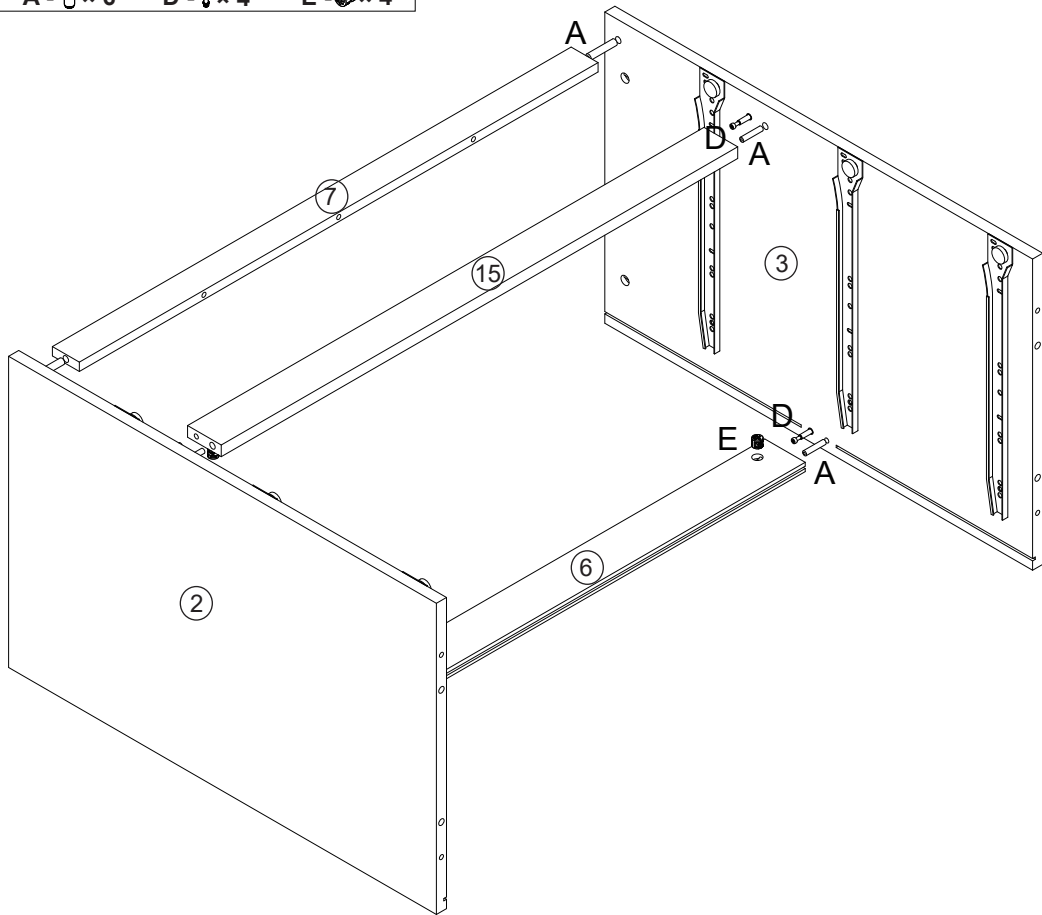
ATTENTION: DO NOT TIGHTEN THE SCREWS FULLY DURING ASSEMBLY. FULLY TIGHTEN SCREWS AFTER THE FINAL ASSEMBLY STEP.

STEP 1 F - x 24 I - x 6 J - x 6

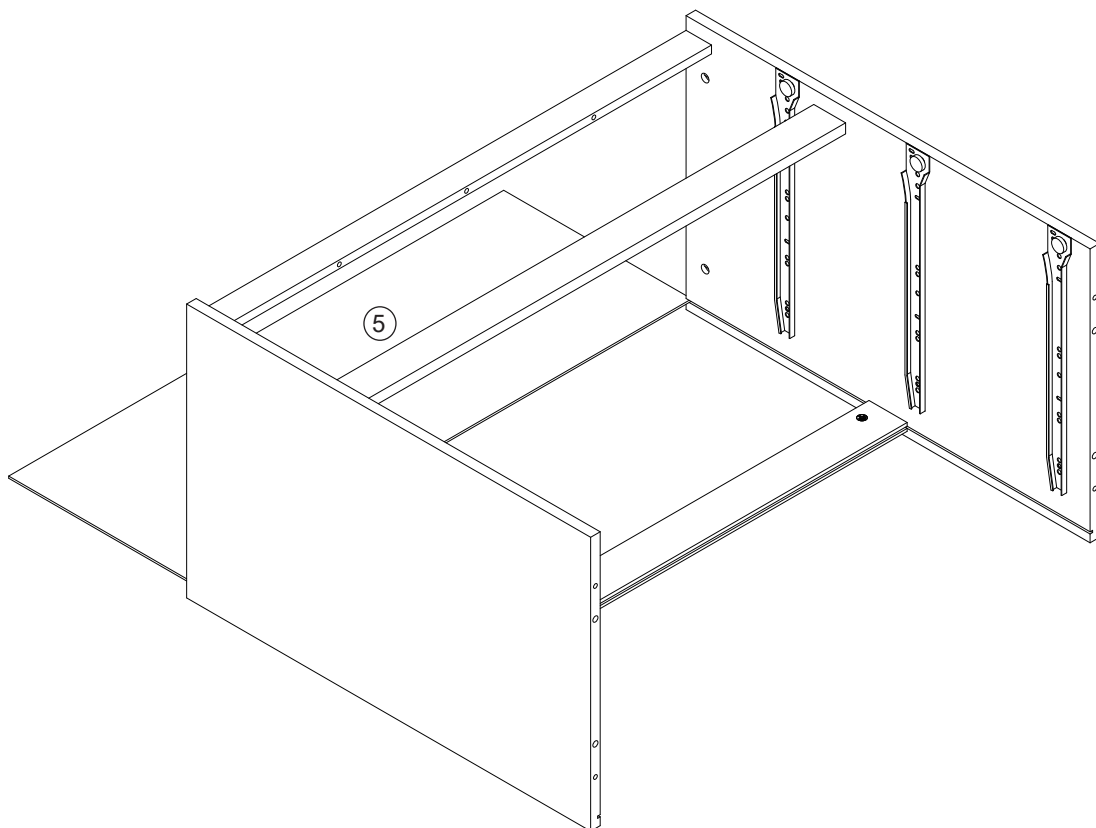


STEP 2

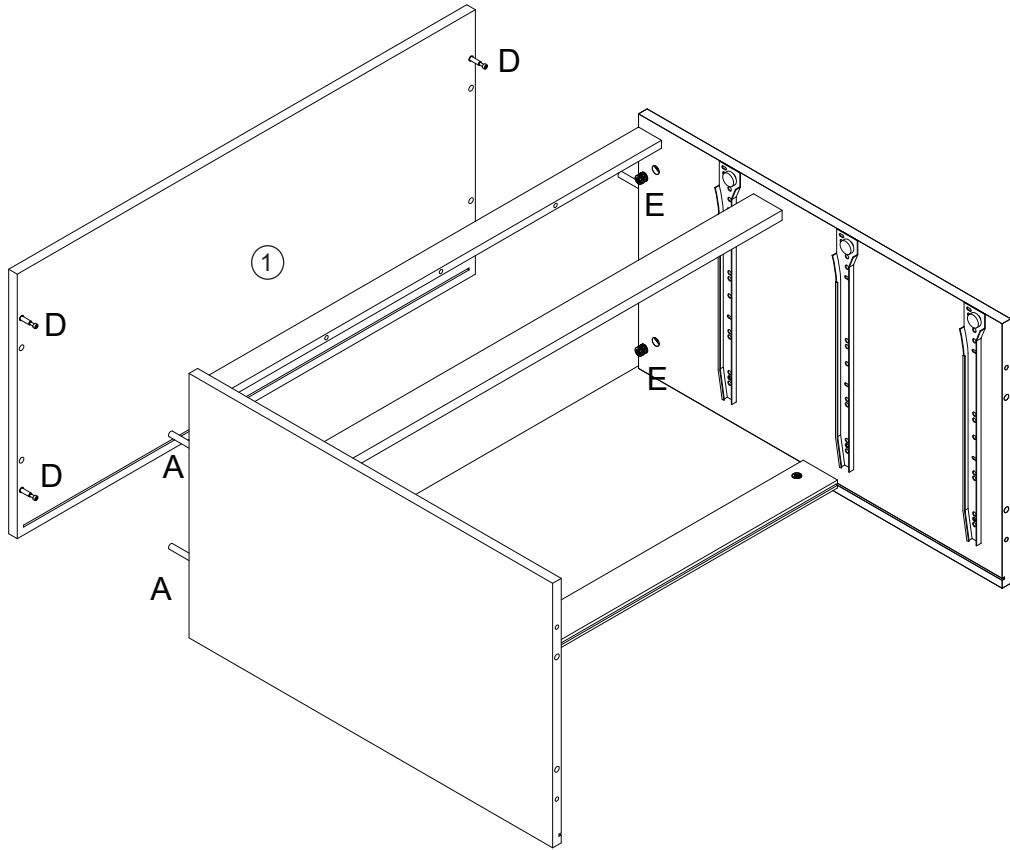
A -  x 6 D -  x 4 E -  x 4



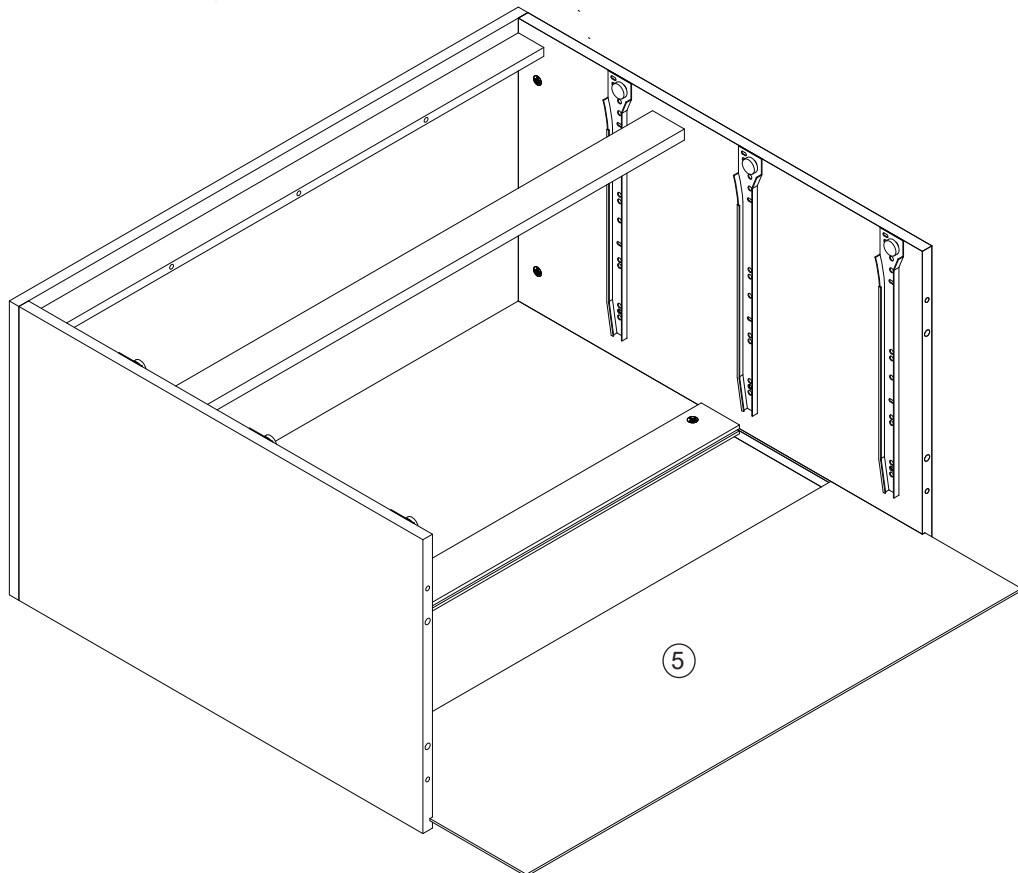
STEP 3





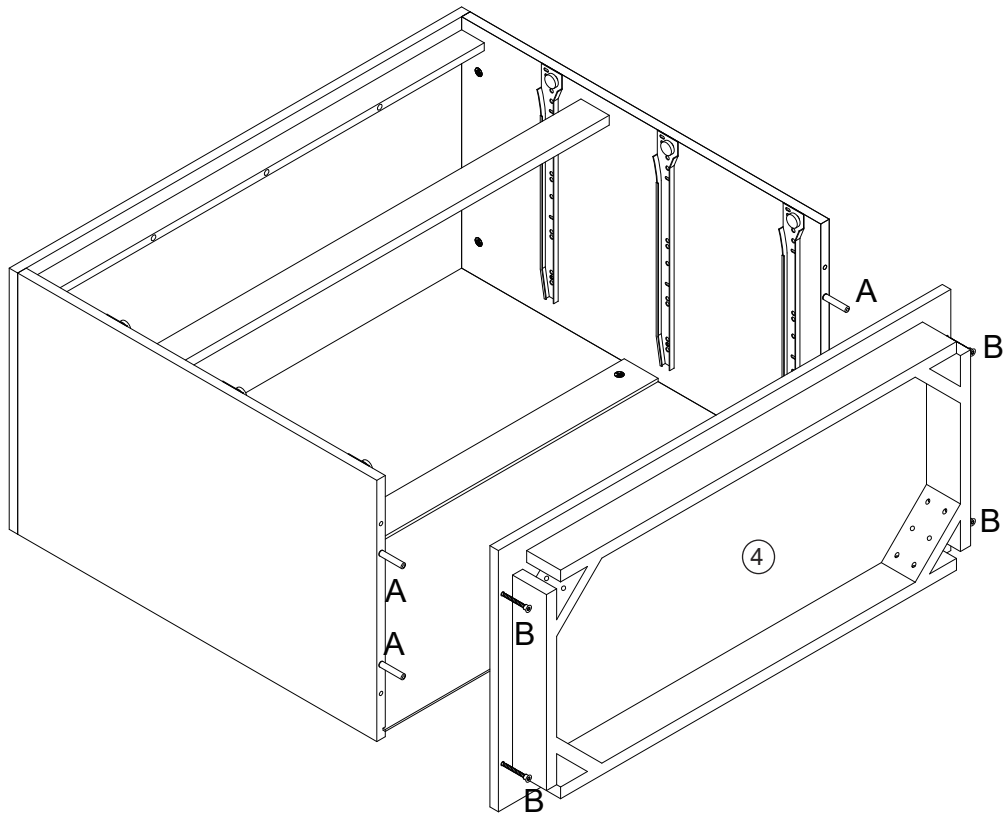
STEP 4 A -  x 4 D -  x 4 E -  x 4



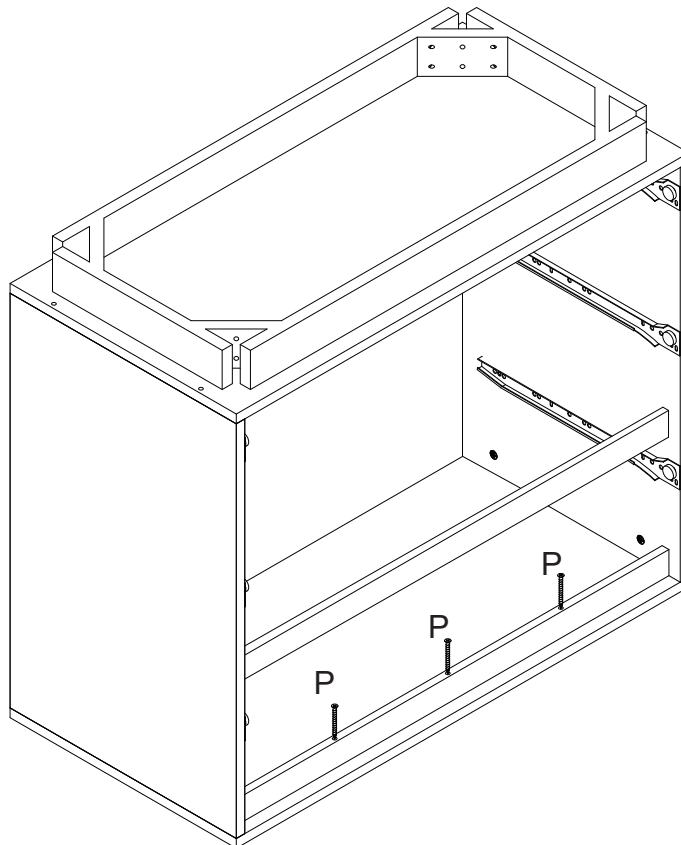
STEP 5







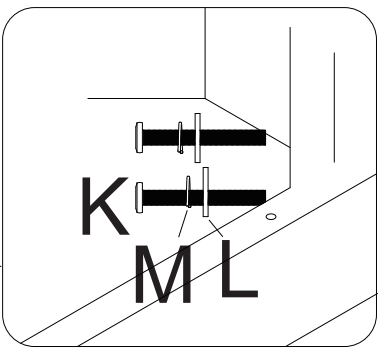
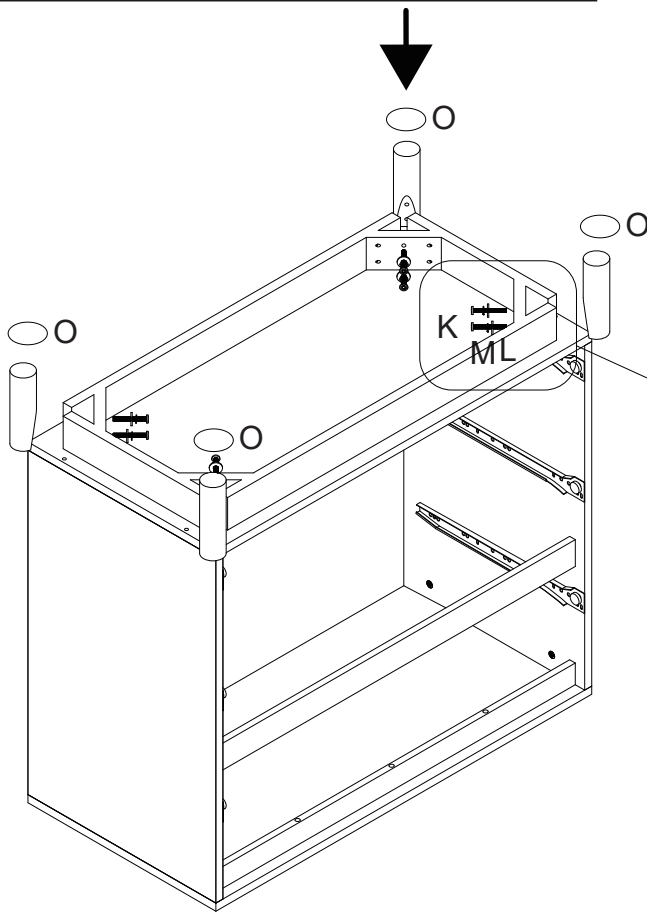
STEP 6 A -  x 4 B -  x 4









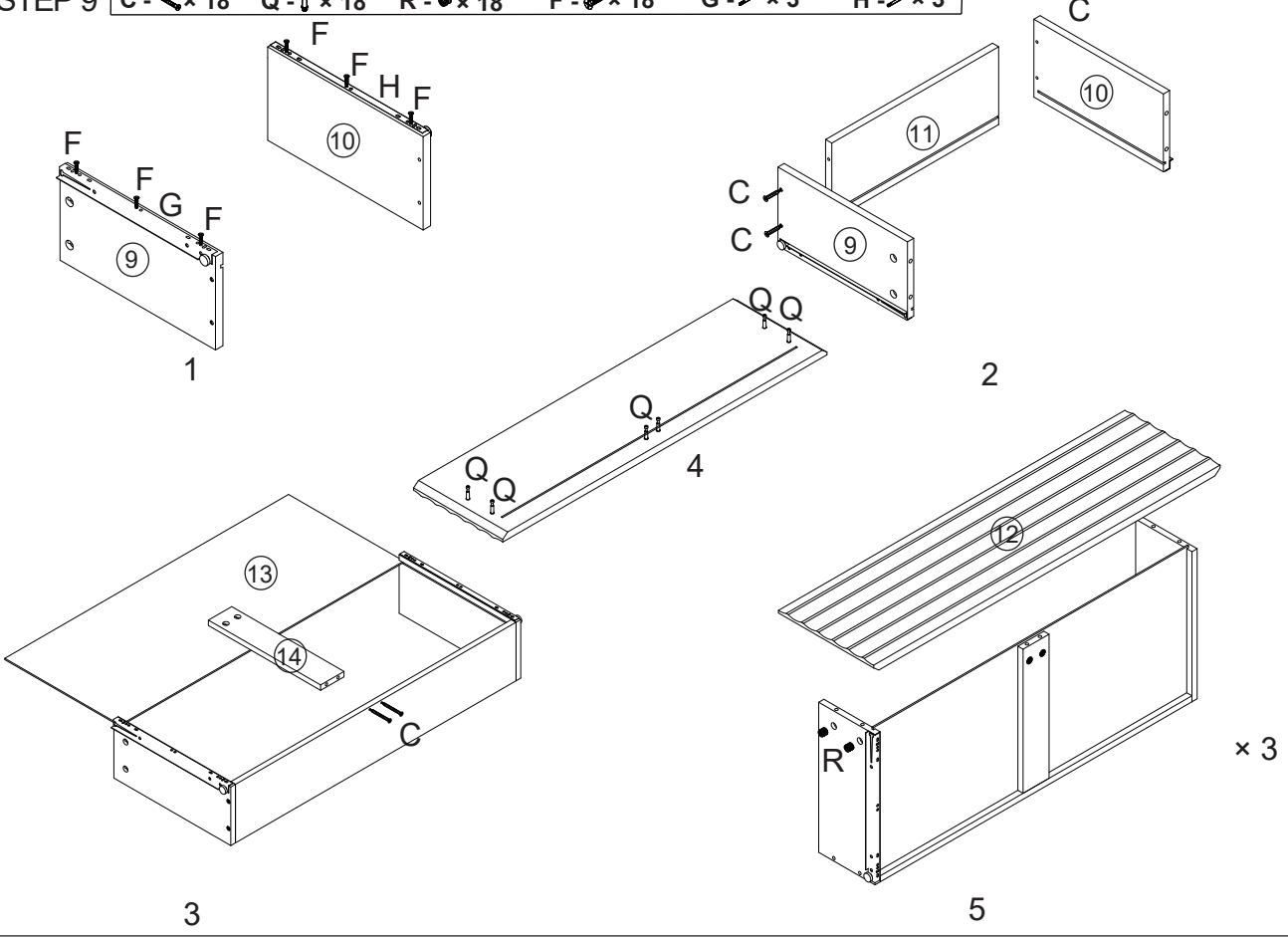
STEP 7 P -  x 3



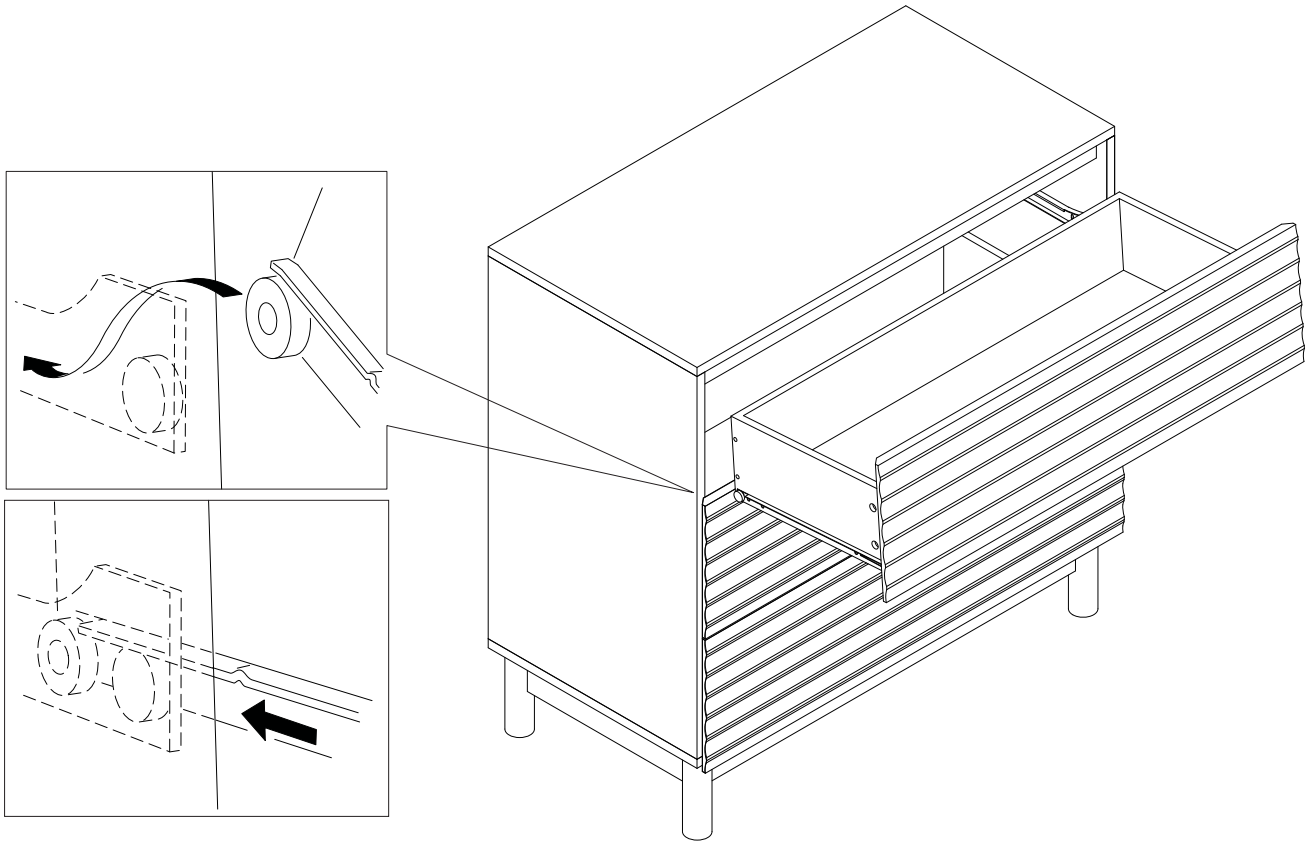
STEP 8 K -  x 8 L -  x 8 M -  x 8 O -  x 4



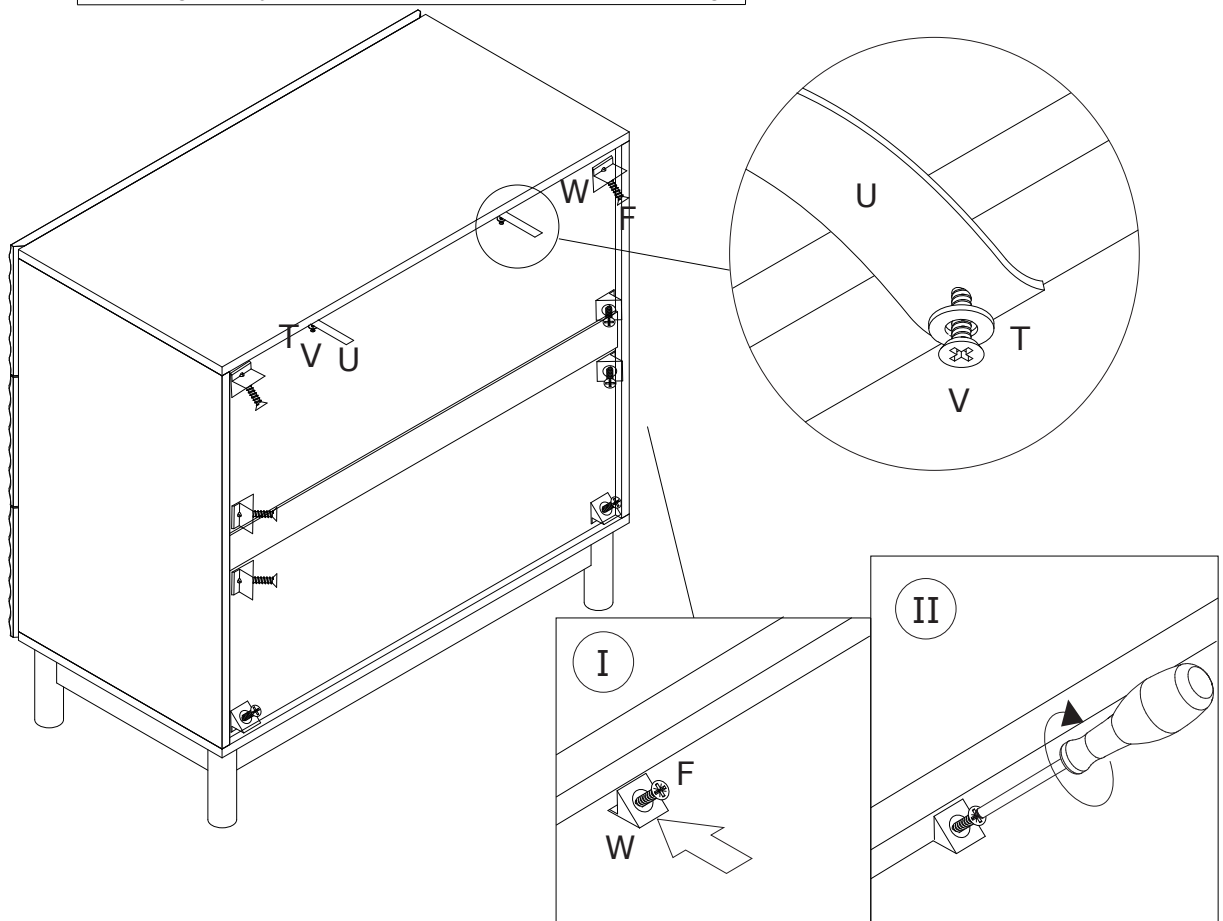
STEP 9 C -  x 18 Q -  x 18 R -  x 18 F -  x 18 G -  x 3 H -  x 3



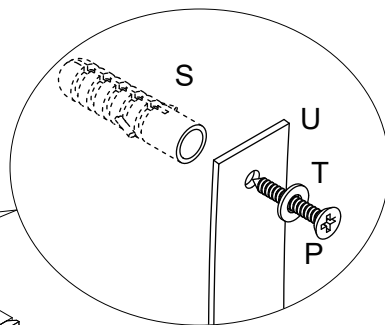
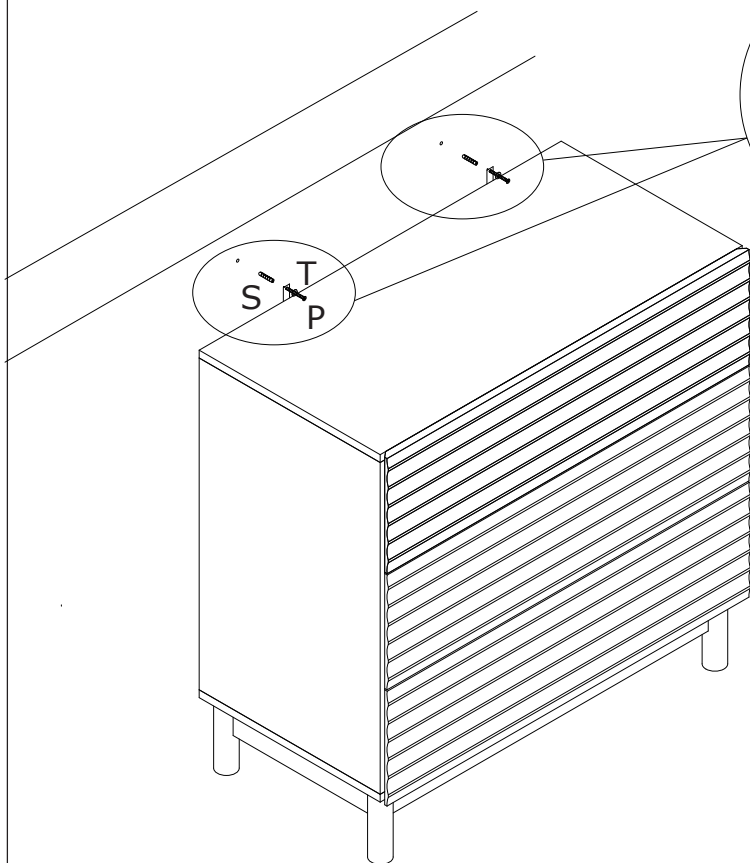
STEP 10



STEP 11 F-x8 T-x2 U-x2 V-x2 W-x8



STEP 12 P -  x 2 S -  x 2 T -  x 2



TOPPLING FURNITURE WARNING:

- **It is strongly recommended that this product is permanently fixed to the wall.**
- **Please seek professional advice if you are in doubt of what fixing device to use.**
- **Regularly check that anchors are securely maintained.**
- **Stability of tall items may be affected by thick pile carpet or uneven floors .**
- **Do not place unanchored televisions on furniture .**

CAUTION: for your safety when attaching the anchor fixings, please note the following:

- **Check any electrical wires or plumbing inside the wall before drilling any holes (if you are unsure please seek professional advice from a qualified tradesperson).**



WARNING: PLEASE SECURE YOUR FURNITURE WITH THE SUPPLIED WALL FIXING. SCAN THE CODE FOR MORE INFORMATION.

