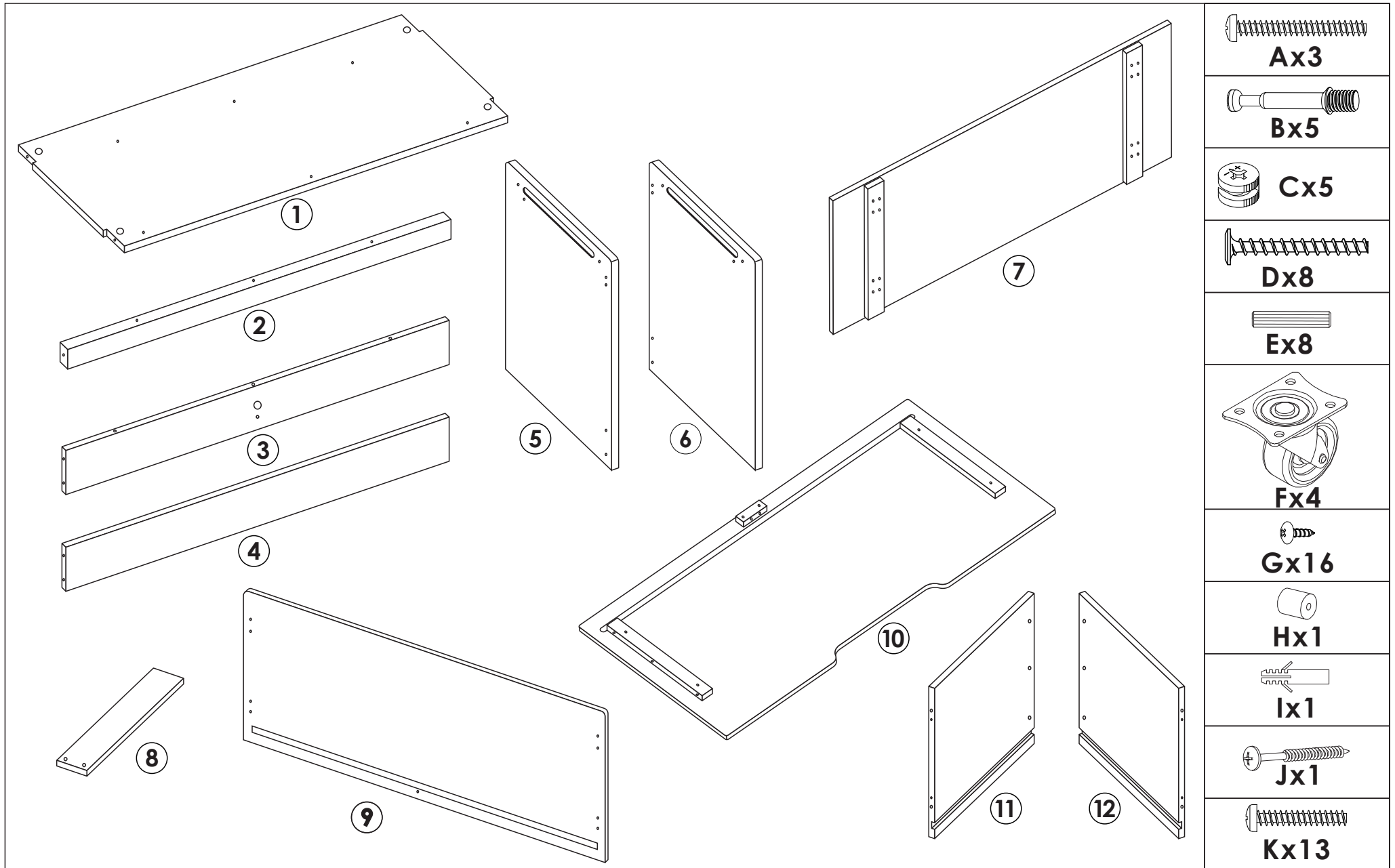
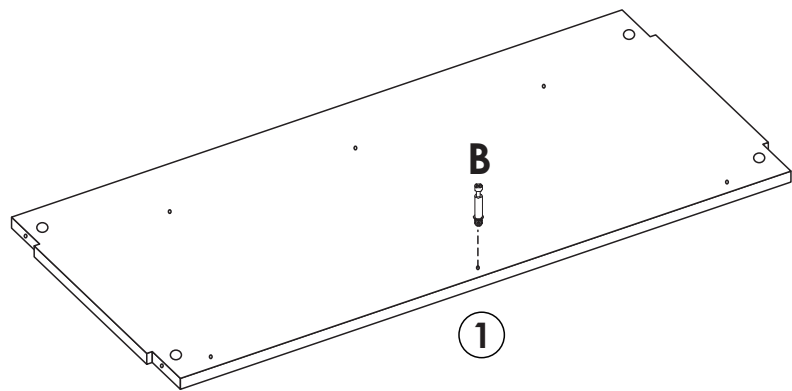
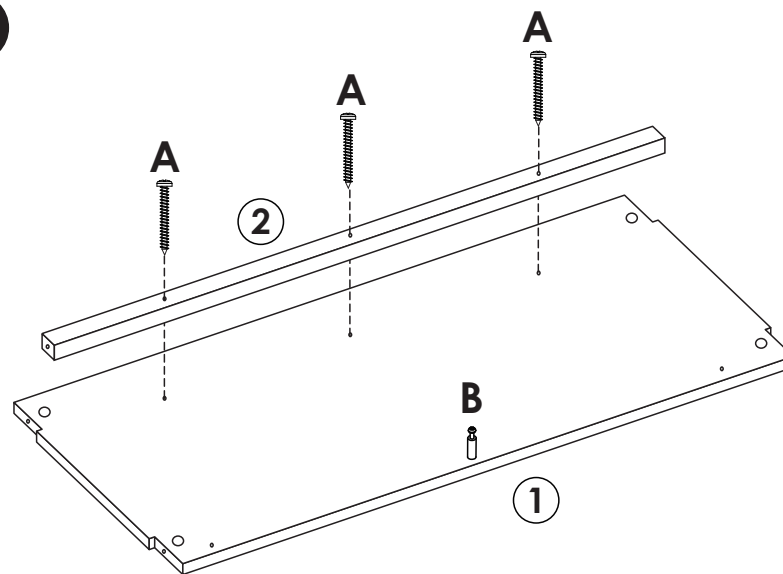
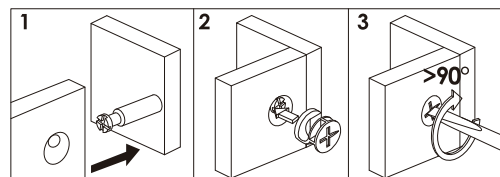
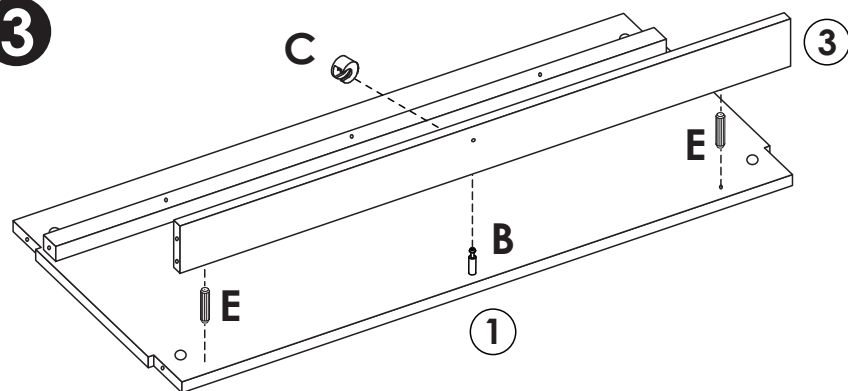
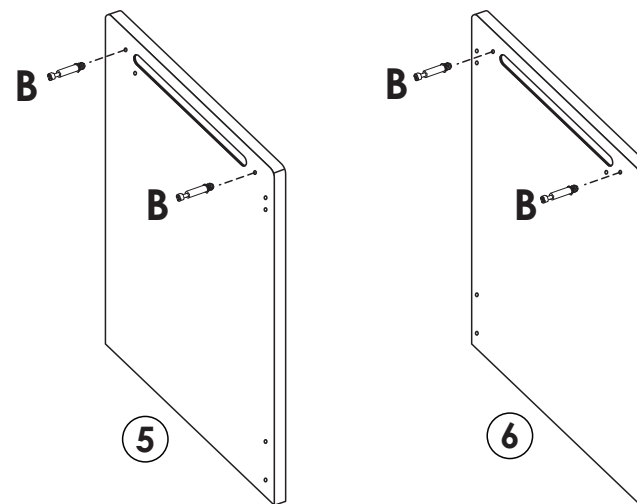
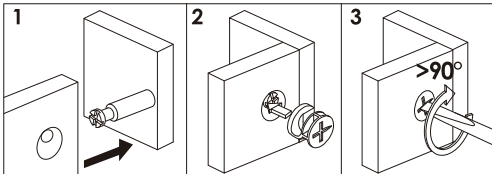
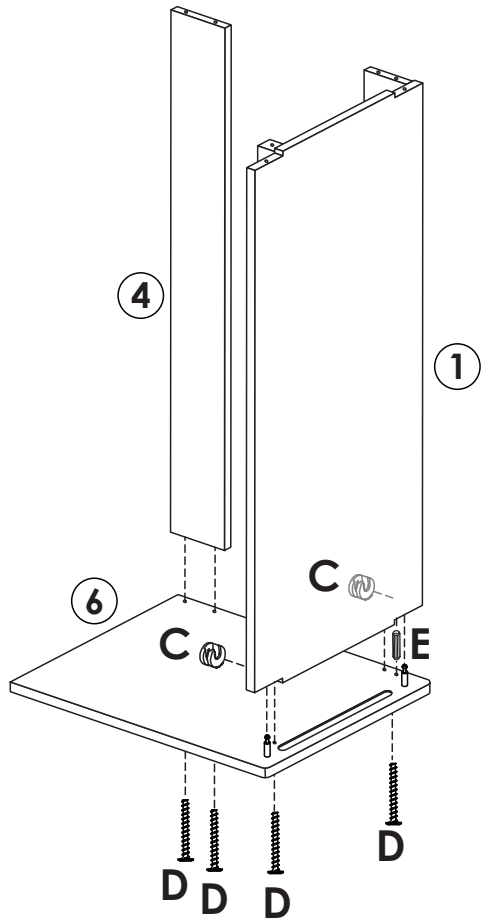
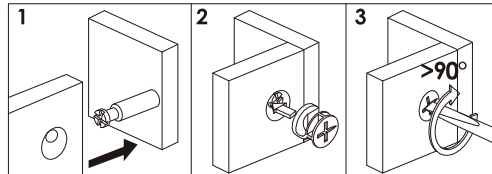
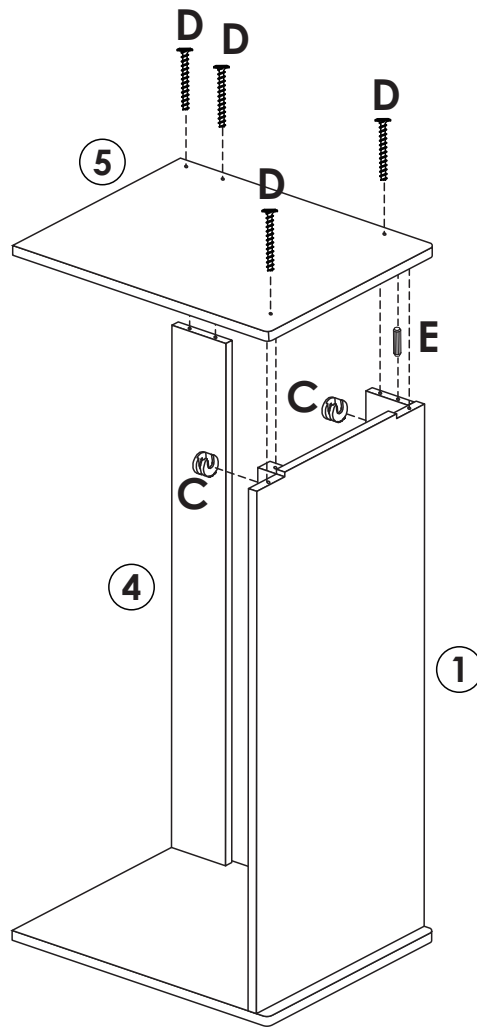
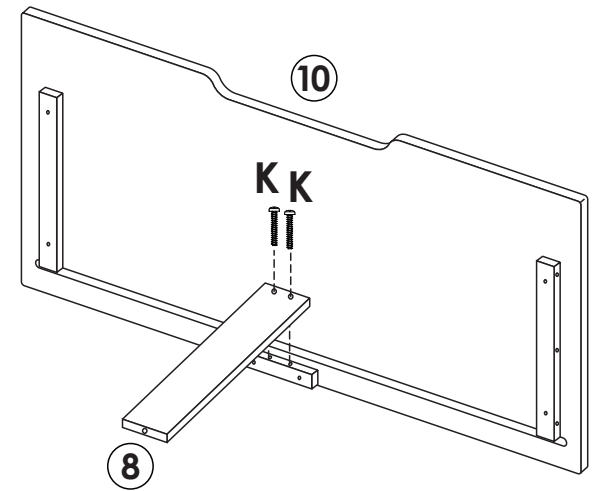


Assembly Instructions for Toy Chest

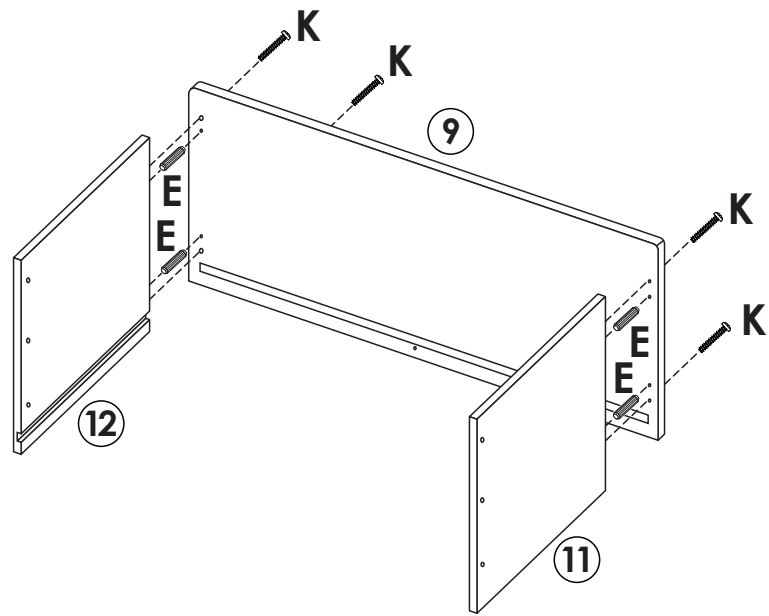
K: 43468911 | T: 70385717



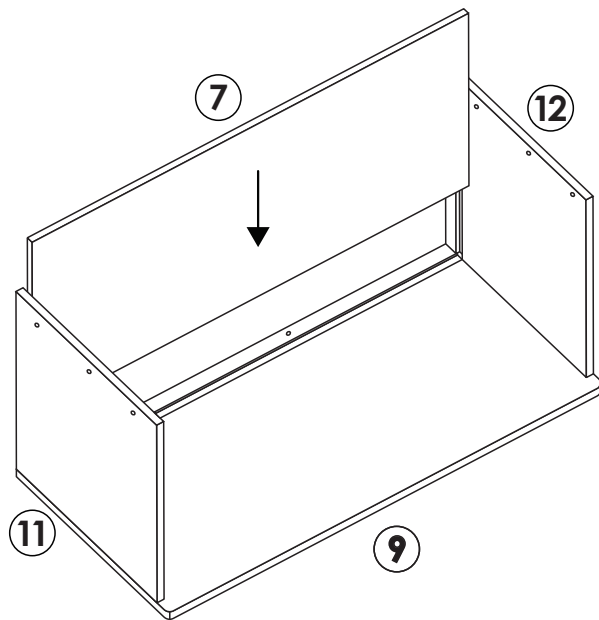
1**2****3****4**

5**6****7****8**

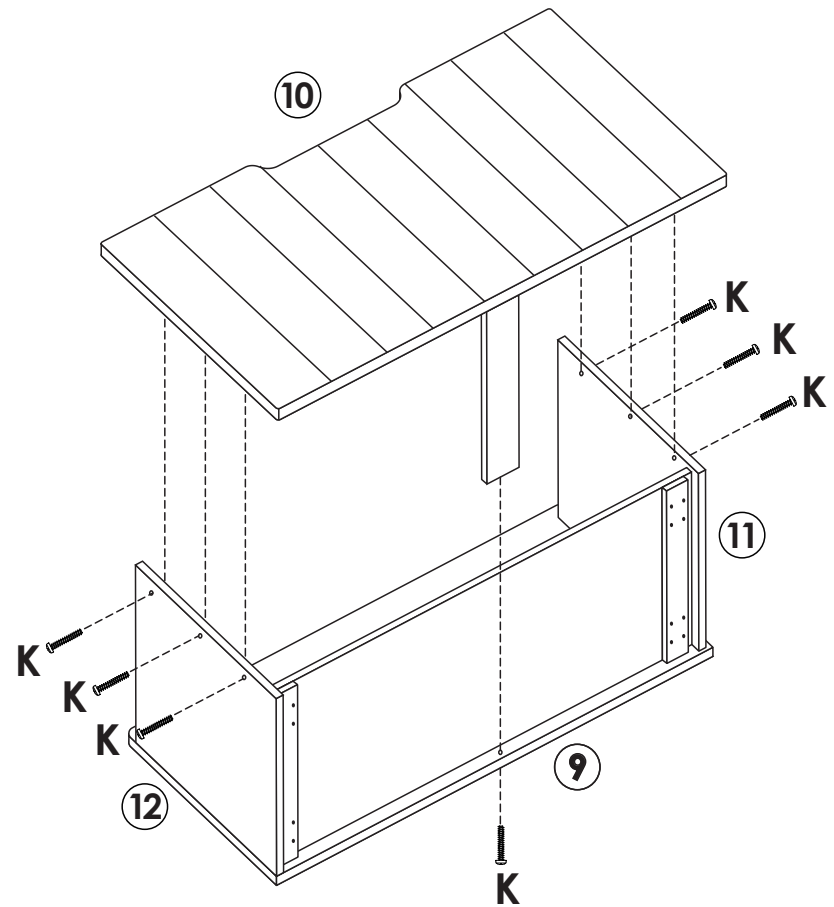
8



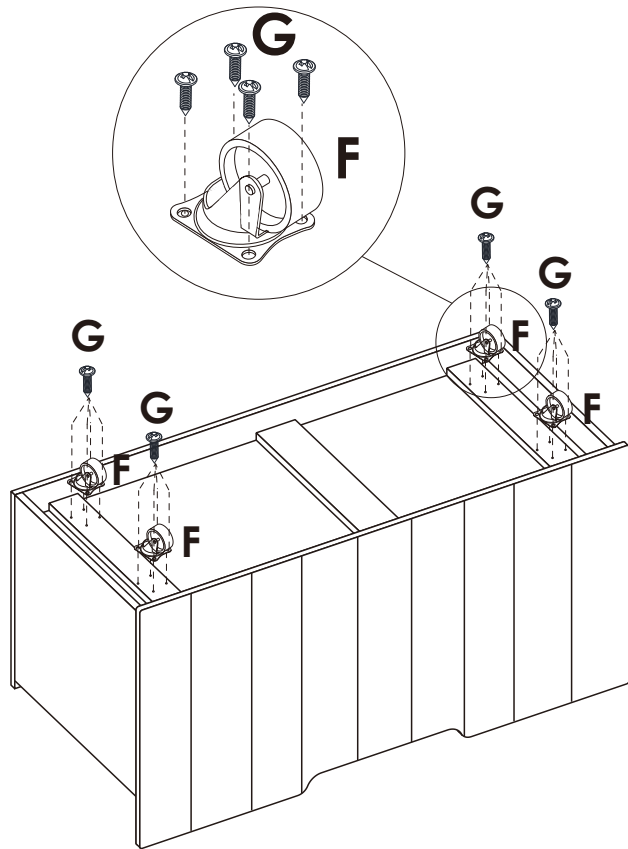
9



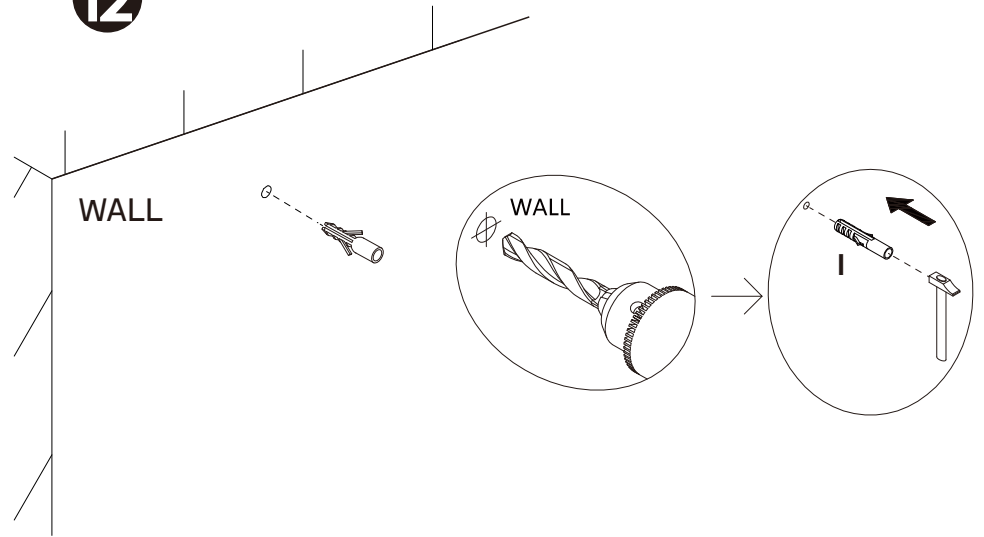
10



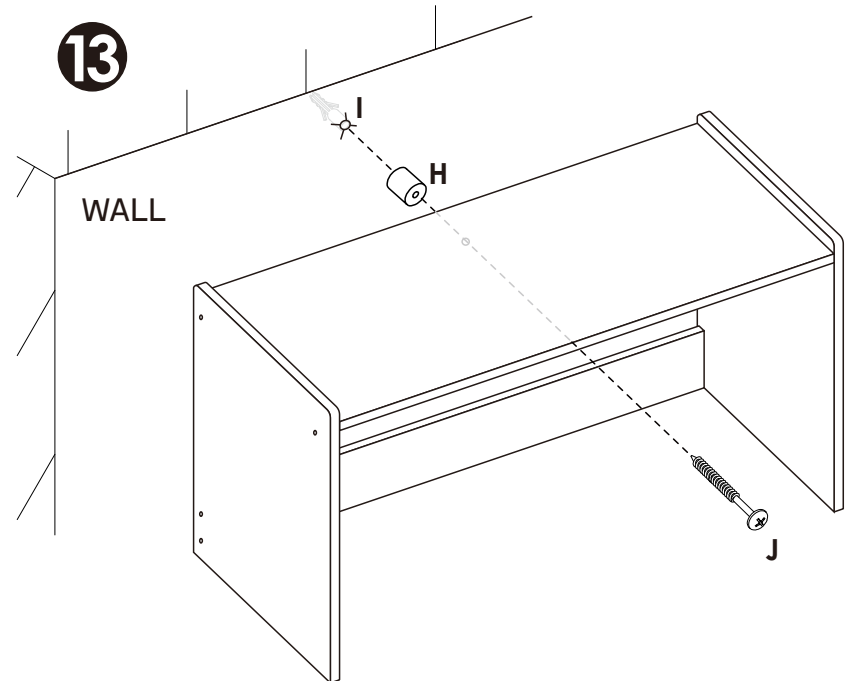
11



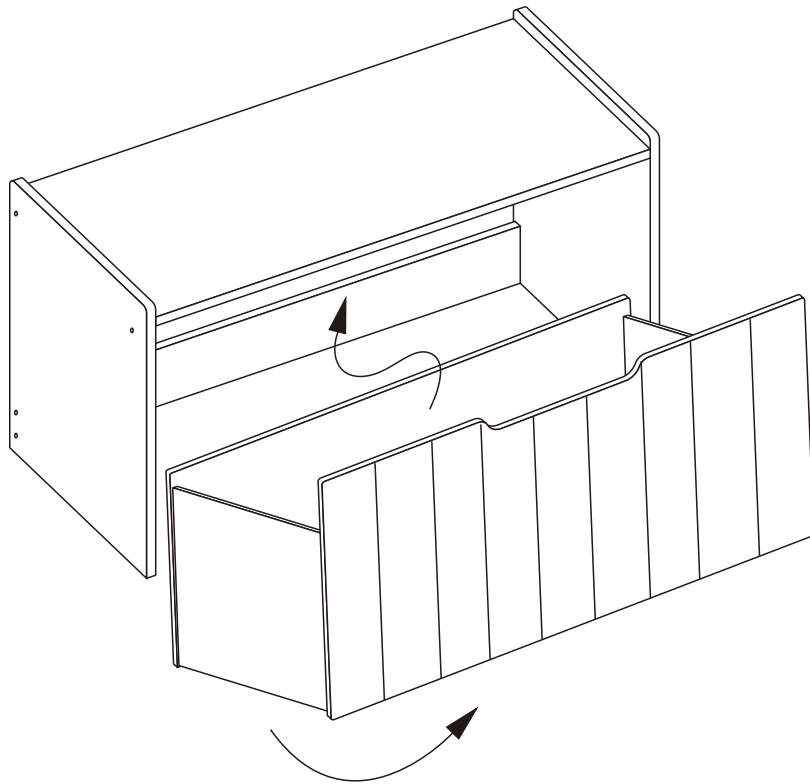
12



13



14



⚠ CAUTION:

ADULT ASSEMBLY IS REQUIRED. UNASSEMBLED PARTS CONTAIN SCREWS WITH FUNCTIONAL SHARP POINTS. PLEASE KEEP UNASSEMBLED PARTS AWAY FROM SMALL CHILDREN.

WARNING :PLEASE SECURE THIS PRODUCT WITH THE SUPPLIED WALL FIXING. IT IS STRONGLY RECOMMENDED THAT THIS PRODUCT IS PERMANENTLY FIXED TO THE WALL. REGULARLY CHECK THE ANCHOR IS SECURELY FASTENED.

CAUTION: FOR YOUR SAFETY WHEN ATTACHING THE ANCHOR FIXINGS, PLEASE CHECK ANY ELECTRICAL WIRES OR PLUMBING INSIDE THE WALL BEFORE DRILLING ANY HOLES. IF UNSURE, CONSULT AN EXPERT.

WARNING: DO NOT STAND ON THE PRODUCT. DO NOT USE THE PRODUCT AS A STEP LADDER. DO NOT USE THE PRODUCT UNLESS ALL BOLTS, SCREWS AND KNOBS ARE FIRMLY SECURED. CHECK AND TIGHTEN ALL PARTS REGULARLY. MAXIMUM SAFE LOAD LIMIT: INTERNAL BOTTOM BOARD: 25KG, OUTSIDE TOP BOARD: 50KG. FAILURE TO FOLLOW THESE WARNINGS COULD RESULT IN SERIOUS INJURY.

WARNING: PLEASE CHECK CONDITION OF ITEM REGULARLY, AS SCREWS MAY LOOSEN WITH USE OVER TIME. TIGHTEN SCREW FITTINGS IF NECESSARY. DISCONTINUE USE OF THE ITEM IF EXCESSIVE WEAR AND TEAR IS FOUND.

⚠ WARNING

CHOKING HAZARD-SMALL PARTS.
NOT SUITABLE FOR CHILDREN UNDER 3 YEARS.