


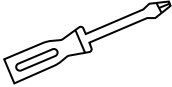
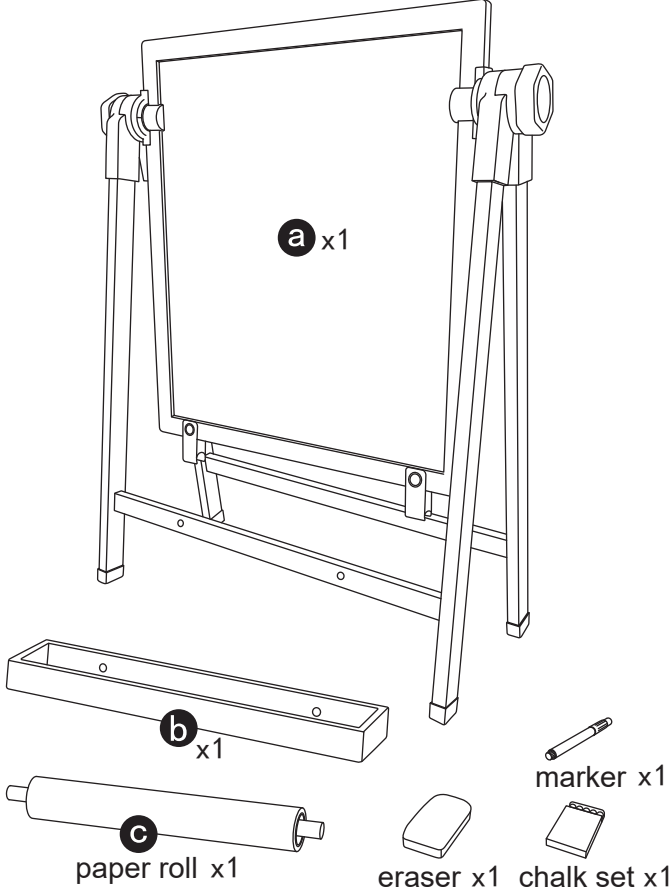
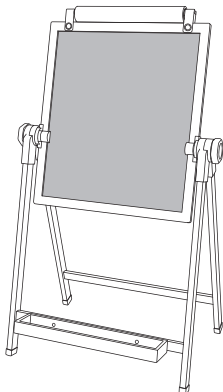
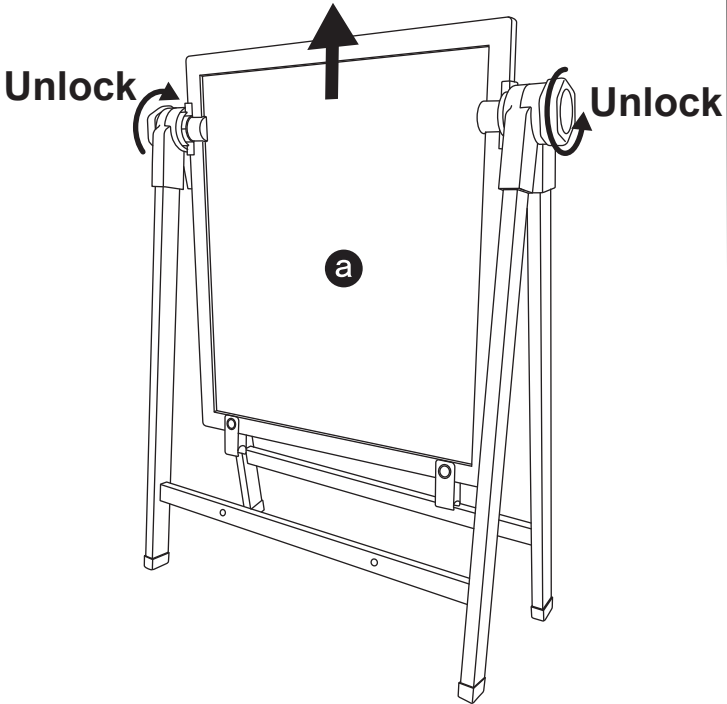


# 3in1 Adjustable Easel With Paper



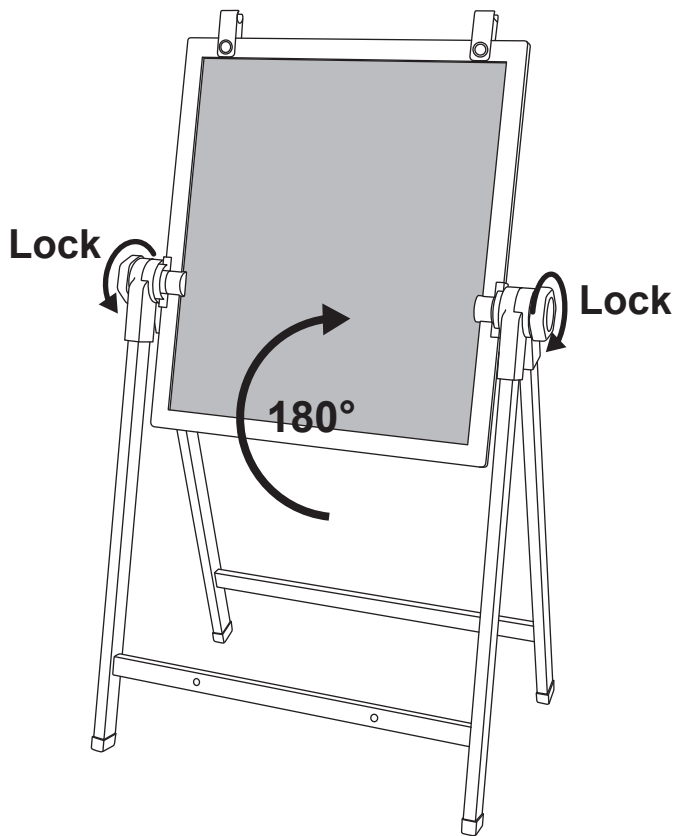
## Assembly Instruction

K: 43471096 | T: 70392005

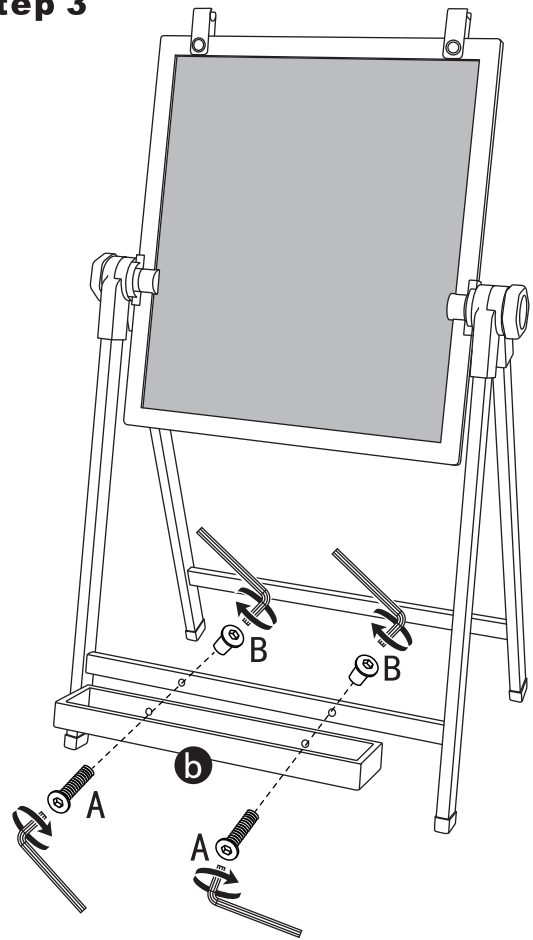
HARDWARE	PARTS LIST
<p>A  x2</p> <p>B  x2</p> <p>Tools Required</p> <p> Hexagon wrench x 2 (Included)</p> <p> Cross screwdriver (Not Included)</p>	 <p>a x1</p> <p>b x1</p> <p>c x1</p> <p>marker x1</p> <p>eraser x1</p> <p>chalk set x1</p>
<p><b>WARNING:</b> CHOKING HAZARD- SMALL PARTS, NOT SUITABLE FOR CHILDREN UNDER 3 YRS.</p> <p><b>CAUTION:</b> ADULT ASSEMBLY AND SUPERVISION REQUIRED.</p> <p><b>WARNING:</b> UNASSEMBLED PARTS CONTAIN SCREWS AND WITH FUNCTIONAL SHARP POINTS. PLEASE KEEP UNASSEMBLED PARTS AWAY FROM SMALL CHILDREN.</p> <p><b>CAUTION:</b> PLEASE CHECK CONDITION OF ITEM REGULARLY, AS SCREWS MAY LOOSEN WITH USE OVER TIME. TIGHTEN SCREW FITTINGS IF NECESSARY.</p> <p><b>ATTENTION:</b> ALL ART MATERIALS LIKE CHALK AND MARKER, MAY CAUSE STAINS. ALWAYS PROTECT CLOTHES, CARPET, WORK SURFACE, FURNITURE AND OTHER OBJECTS. ALWAYS USE A PROTECTIVE COVER TO PREVENT STAINS.</p> <p><b>WARNING:</b> DO NOT STAND OR SIT ON THE PRODUCT. DO NOT USE THE PRODUCT AS A STEP LADDER. DO NOT USE THE PRODUCT UNLESS ALL BOLTS, SCREWS AND KNOBS ARE FIRMLY SECURED. FAILURE TO FOLLOW THESE WARNINGS COULD RESULT IN SERIOUS INJURY.</p> <p><b>WARNING:</b> FOR SAFETY REASONS, REMOVE ALL TAG, LABELS AND PLASTIC FASTENERS BEFORE GIVING THIS TOY TO YOUR CHILD.</p> <p>MADE IN CHINA</p> <p>Read and follow instructions carefully and keep for future reference.</p> 	<p><b>Step 1</b></p>  <p>Unlock</p> <p>Unlock</p> <p>a</p>

# ASSEMBLY

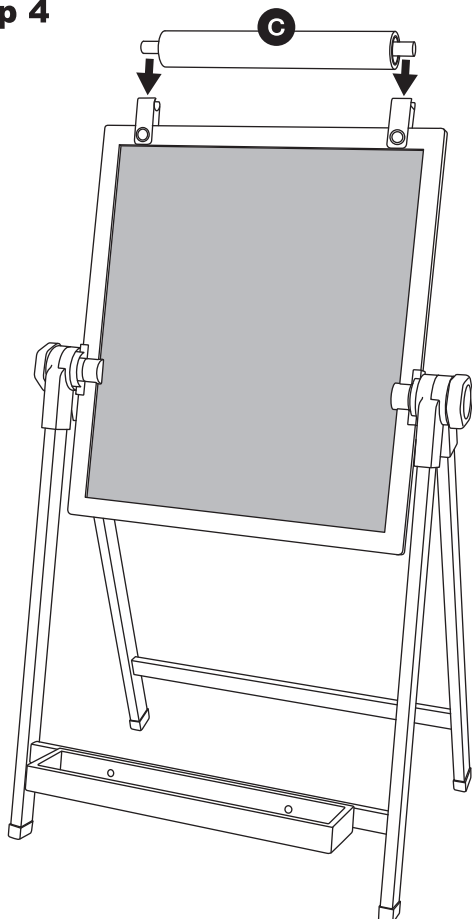
## Step 2



## Step 3



## Step 4



## Step 5

