

# Assembly Instructions

## 43471911 CUSTOM STORAGE SET OF 2 EXTENDER BRACKETS

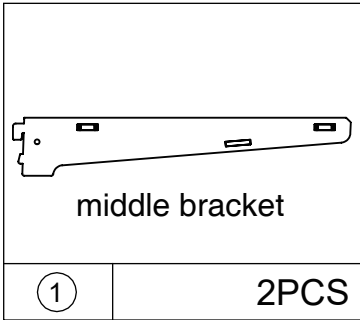
**CARE INSTRUCTIONS:** WIPE CLEAN WITH A DAMP OR DRY CLOTH. DO NOT USE ABRASIVE MATERIALS AND SOLVENTS. KEEP AWAY FROM WATER AND DIRECT SUNLIGHT. STORE IN A DRY PLACE. FOR INDOOR AND DOMESTIC USE ONLY.

**WARNING:** IF UNSURE PLEASE SEEK PROFESSIONAL ASSISTANCE IN INSTALLING THIS PRODUCT. BEFORE STARTING TO INSTALL, PLEASE READ THESE INSTRUCTIONS CAREFULLY TO MAKE SURE YOU FOLLOW THE CORRECT STEPS FOR INSTALLATION. PRODUCT MUST BE LOCATED WITHIN THE SPACE HANGING TO ENSURE MAXIMUM STABILITY AND STRENGTH.

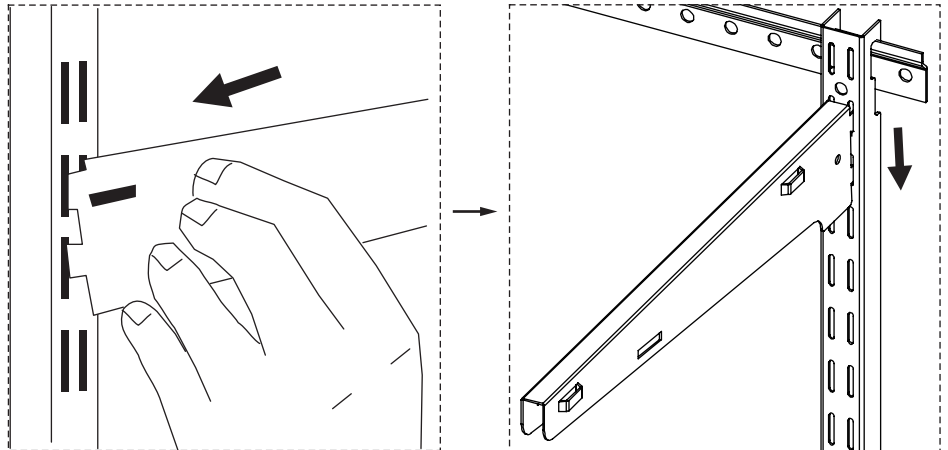
**PLEASE SEEK PROFESSIONAL ADVICE IF IN DOUBT.**

**INSTRUCTIONAL VIDEO:** <https://youtu.be/zY79ruD4wR4>

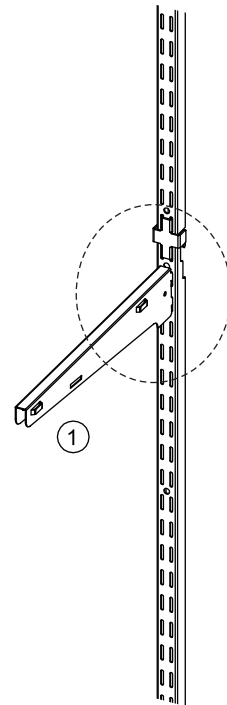
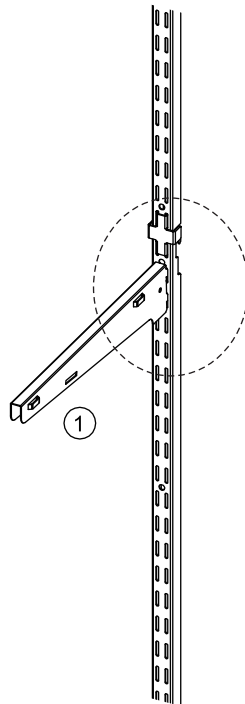
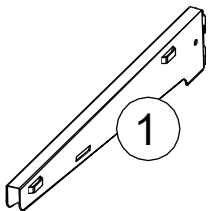
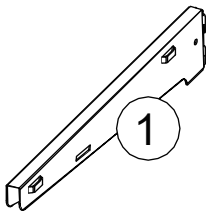
### Parts List



**STEP 1** install the middle brackets anywhere you need and apply a downward push to ensure it is locked in place.



**INSTRUCTIONAL VIDEO  
AVAILABLE ONLINE**



**STEP 2** This bracket allows you to install the left and right accessories at the same height for easy use.

