


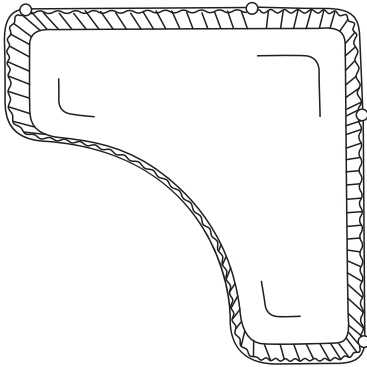

Assembly Instructions

K: 43482528 | T: 70270815 CLEAR RIB 2 TIER CORNER

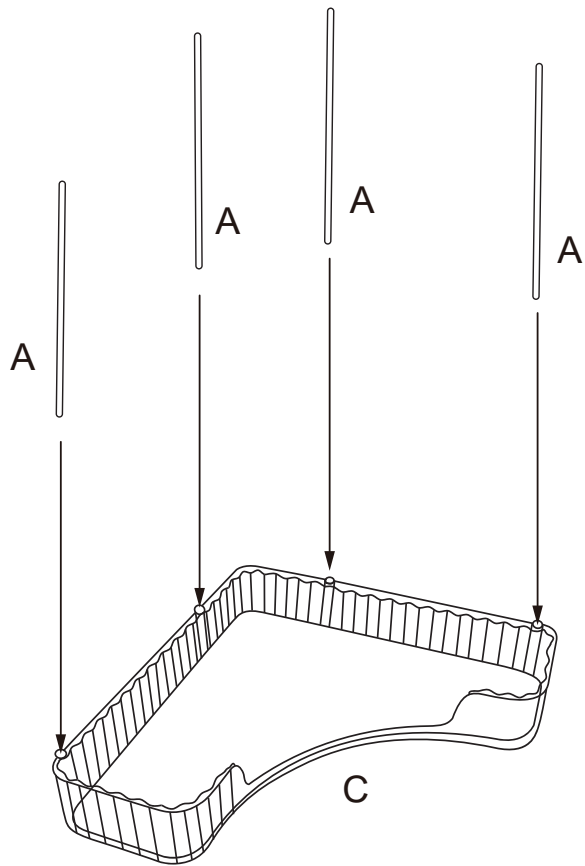
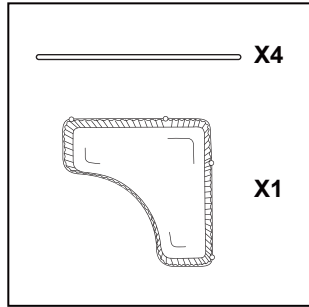
Notes: Adult assembly required. Check and tighten all parts regularly. Wipe clean with a soft damp cloth. For indoor and domestic use.

MAXIMUM SAFE LOAD: 2kg each tier, 4kgs in total.

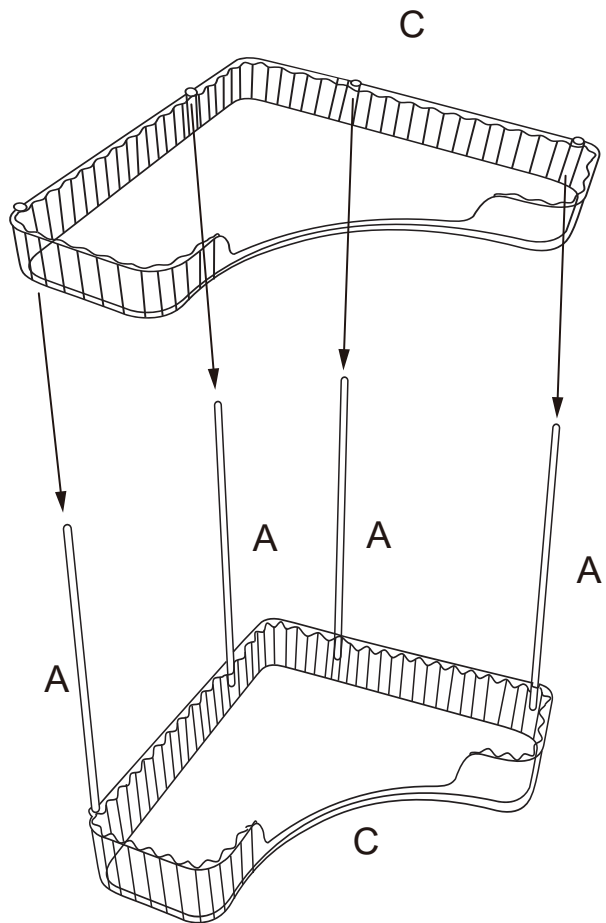
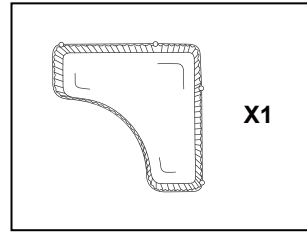
Hardware list

| | | | | | |
|---|---|------|--|---|------|
|  | A | 4PCS |  | C | 2PCS |
|  | B | 2PCS | | | |

STEP 1



STEP 2



STEP 3

