

Assembly Instructions

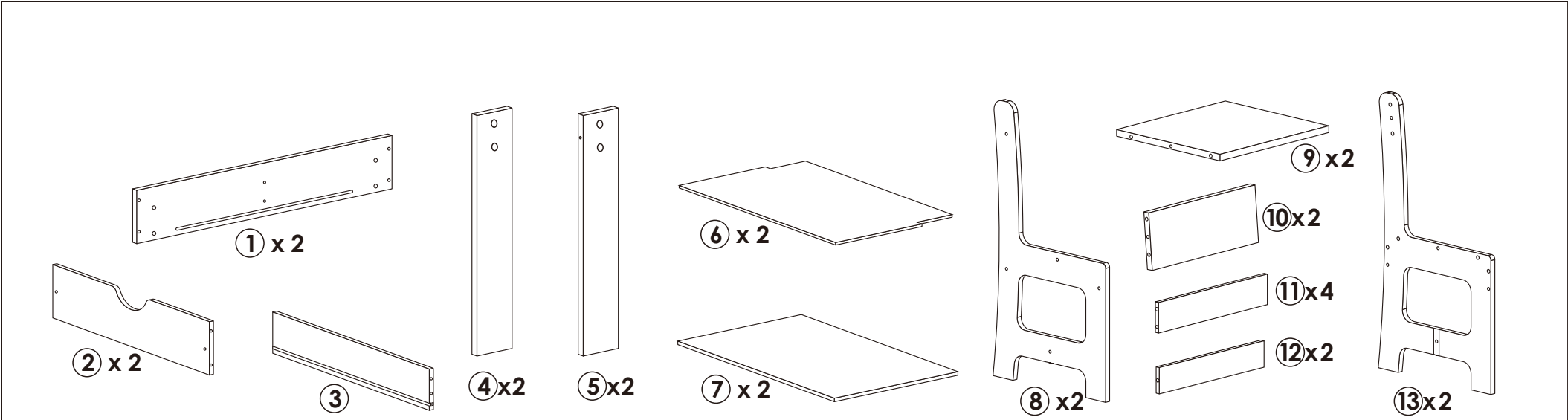
43484256 kids table & chair set

WARNING: DO NOT STAND AND SIT ON THIS TABLE, DO NOT STAND ON THIS CHAIR. DO NOT USE THIS UNIT AS A STEP LADDER OR AS A CHOPPING SURFACE. THIS PACKAGE CONTAINERS SMALL PARTS AND SHARP POINTS, KEEP AWAY FROM CHILDREN AND BABIES UNTIL ASSEMBLY IS COMPLETED. ADULT ASSEMBLY REQUIRED. USE ONLY ON A FLAT SURFACE. DO NOT USE THIS UNIT UNLESS ALL BOLTS AND SCREWS ARE FIRMLY SECURED.

CARE INSTRUCTIONS: TO BE ASSEMBLED ON A CLEAN, DRY AND SMOOTH SURFACE. WIPE CLEAN WITH A SOFT DAMP CLOTH. NEVER USE SCOURERS, ABRASIVES OR CHEMICAL SOLVENTS. CHECK AND TIGHTEN ALL PARTS REGULARLY. KEEP AWAY FROM MOISTURE AND DIRECT SUNLIGHT. STORE IN A DRY PLACE. FOR INDOOR AND DOMESTIC USE ONLY. TABLE TOP BLACKBOARD CAN BE WRITTEN WITH CHALK, WHITE BOARD IS PAINTED SURFACE AND CANNOT BE WRITTEN WITH A MARKER.


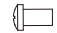

CHAIR MAXIMUM SAFE LOAD: 20KGS.

TABLE MAXIMUM SAFE LOAD: 10KGS.



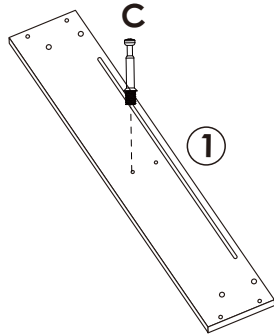
Hardware List

	A	M5x40mm	32pcs
	B	M6x30mm	26pcs
	C	M6x35mm	2pcs

	D	M15x9.5mm	2pcs
	E	M6x12mm	8pcs
	F	M6x22mm	8pcs

STEP 1:

Cx2



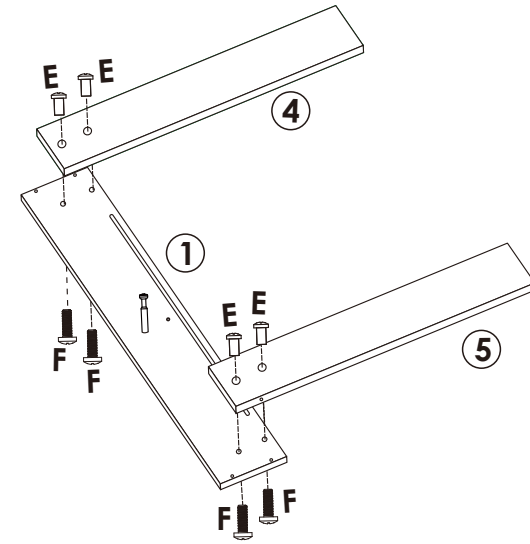
x2



Tool required
Phillips Head Screw Driver
(Not Provided)

STEP 2:

Ex8
Fx8



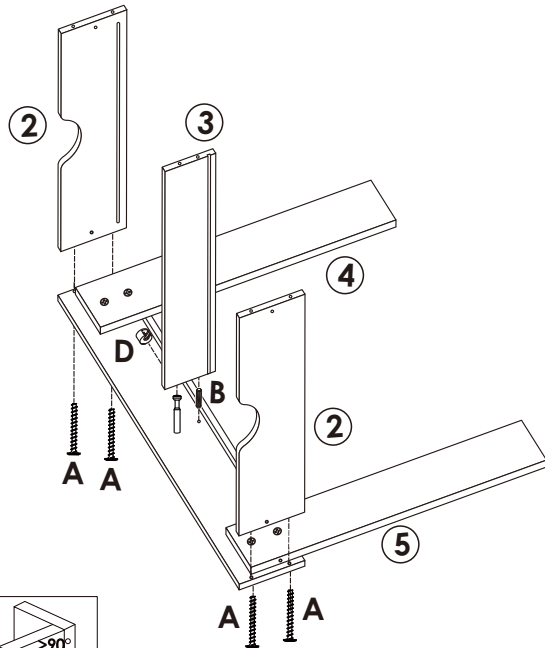
x2



Tool required
Phillips Head Screw Driver
(Not Provided)

STEP 3:

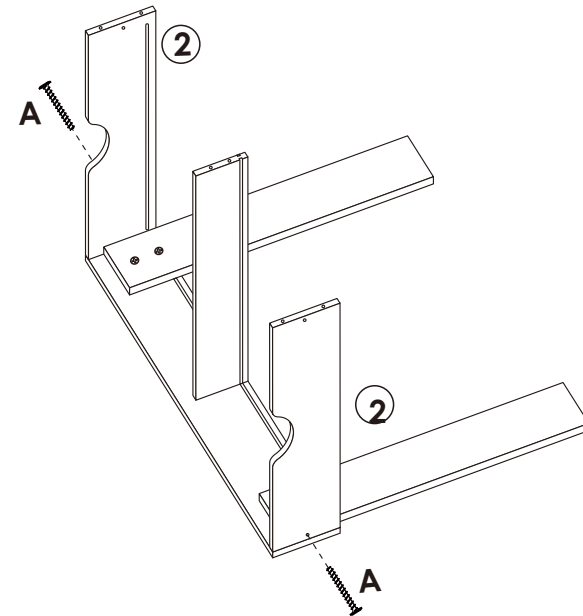
Ax4
Bx1
Dx1



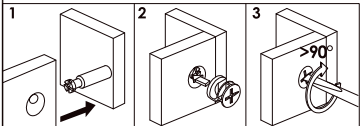
Tool required
Phillips Head Screw Driver
(Not Provided)

STEP 4:

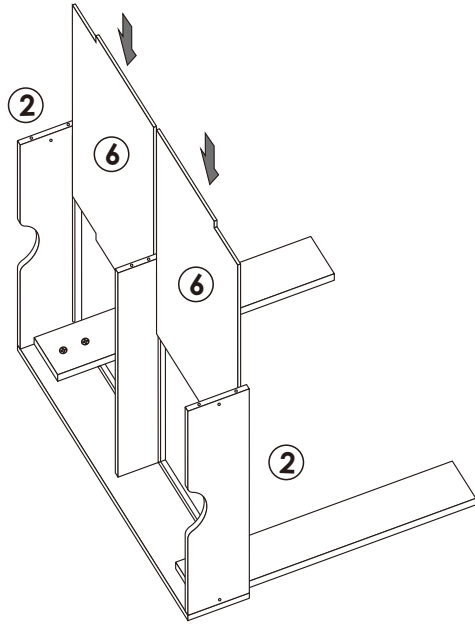
Ax2



Tool required
Phillips Head Screw Driver
(Not Provided)

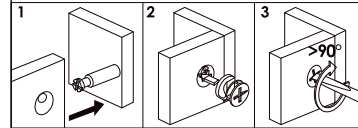
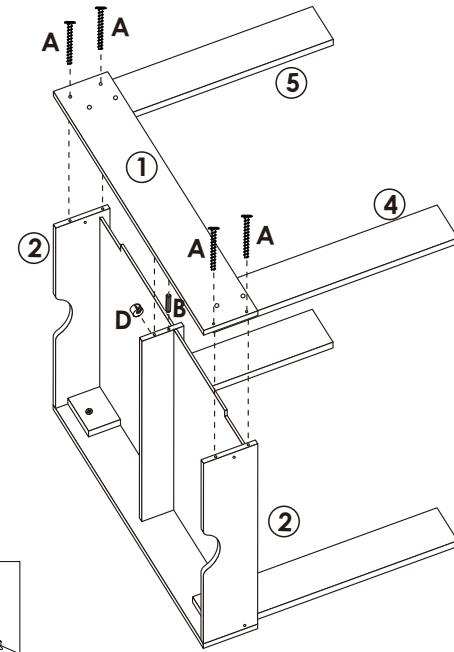


STEP 5:



STEP 6:

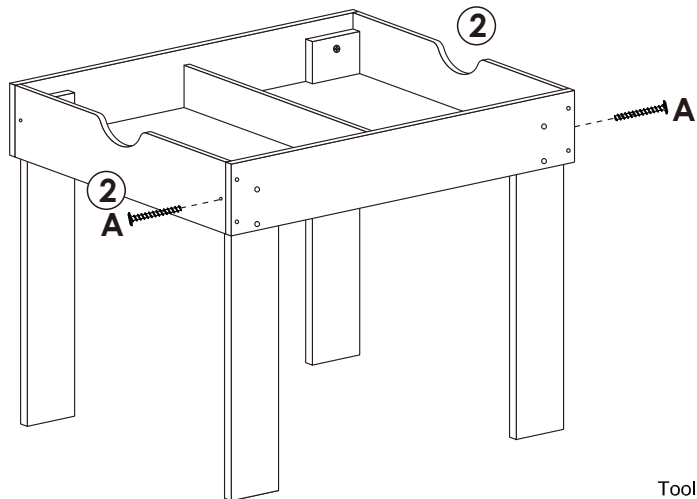
- Ax4
- Bx1
- Dx1



Tool required
Phillips Head Screw Driver
(Not Provided)

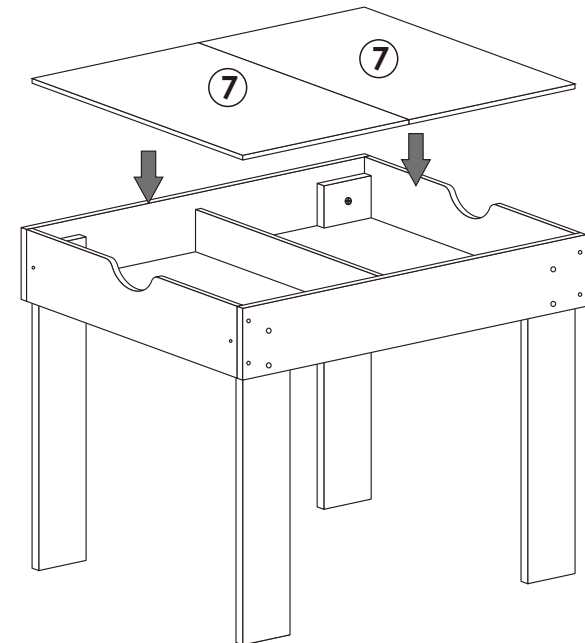
STEP 7:

- Ax2

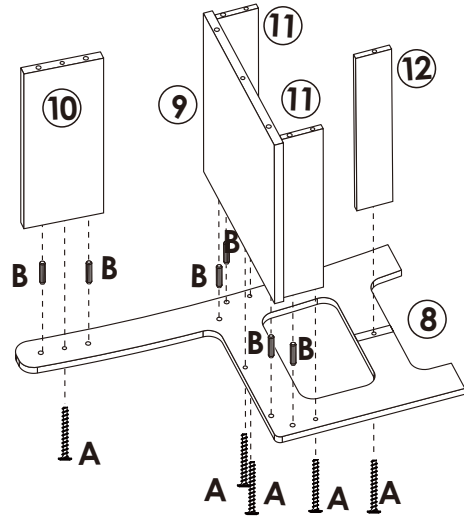
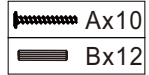


Tool required
Phillips Head Screw Driver
(Not Provided)

STEP 8:



STEP 9:

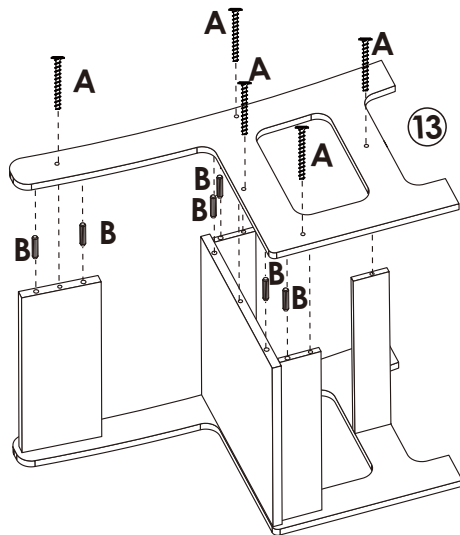


x2



Tool required
ps Head Screw Driver
(Not Provided)

STEP 9:



x2



Tool required
Phillips Head Screw Driver
(Not Provided)

