

Assembly Instructions

K:43488513 | T:70262186 PANELLED TOP CABINET UNIT









CARE INSTRUCTIONS:









Wipe clean with a damp cloth. Keep away from water and direct sunlight. For indoor and domestic use. Check and tighten all parts regularly.

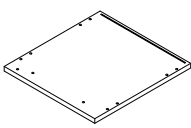
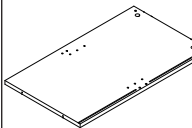
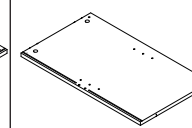
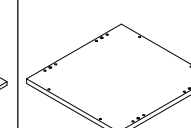
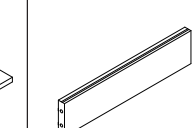
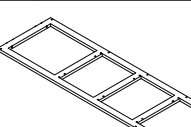
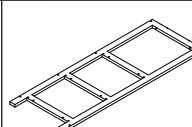
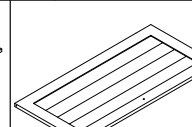
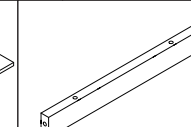
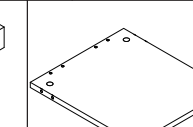
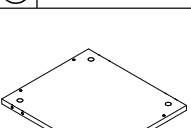
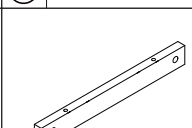
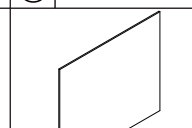
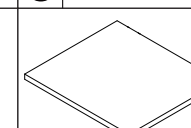
WARNING:

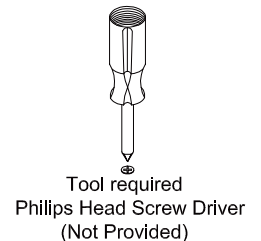
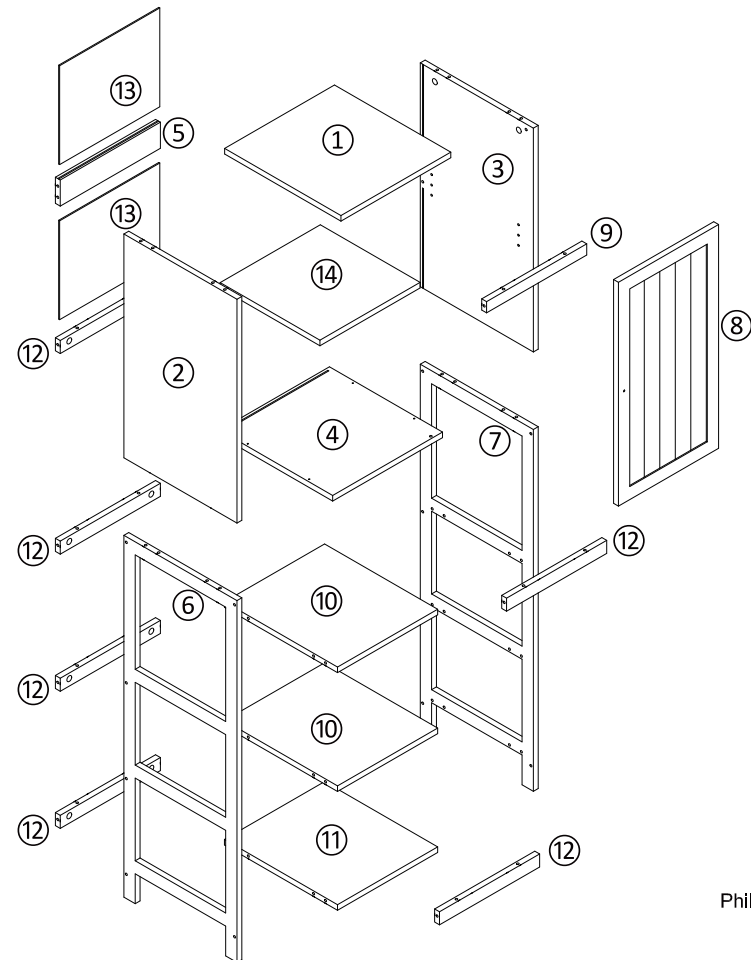
Do not stand, sit, or lean on the product. Do not drag the product. Use only on a flat surface. Do not use until all screws, bolts and knobs are firmly secured. This product contains small parts and sharp points, keep away from children and babies. Adult assembly is required. Failure To follow these warnings could result in serious injury.

MAXIMUM SAFE LOAD: EACH SHELF 5KG

	a	M6X35mm	20pcs
	b	M15X10mm	20pcs
	c	M3X12mm	7pcs
	d	M6X30mm	26pcs
	e	M4X40mm	23pcs
	f	M3X14mm	4set
	g	M4X45mm	12pcs
	s		1pc

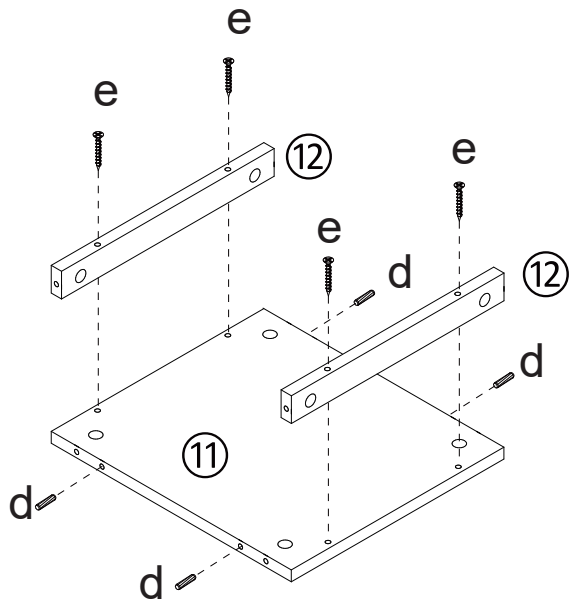
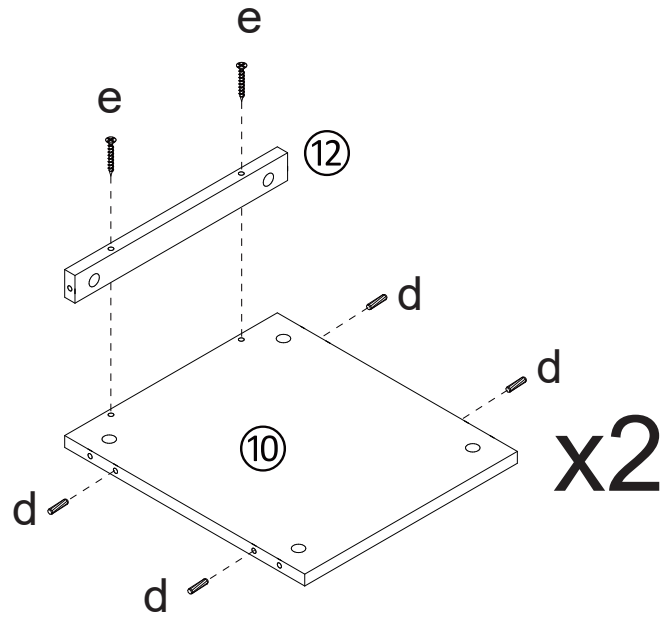
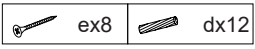
	h		12pcs
	i		1pc
	j		1pc
	k		2pcs
	l		4pcs
	m	M4X12mm	1set
	n		1pc
	o		4pcs

				
①	②	③	④	⑤
1PC	1PC	1PC	1PC	1PC
				
⑥	⑦	⑧	⑨	⑩
1PC	1PC	1PC	1PC	2PCS
				
⑪	⑫	⑬	⑭	
1PC	6PCS	2PCS	1PC	

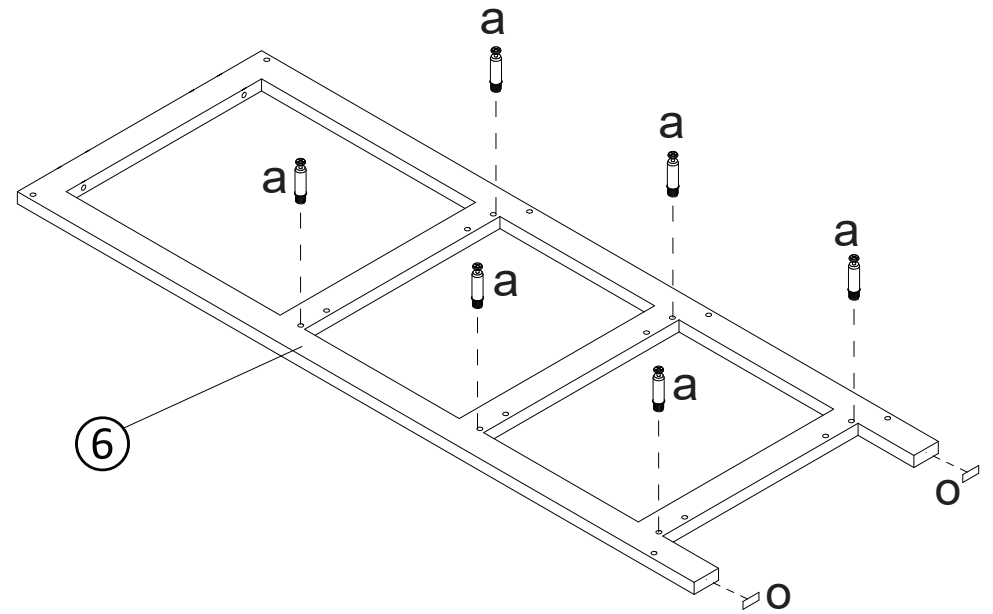
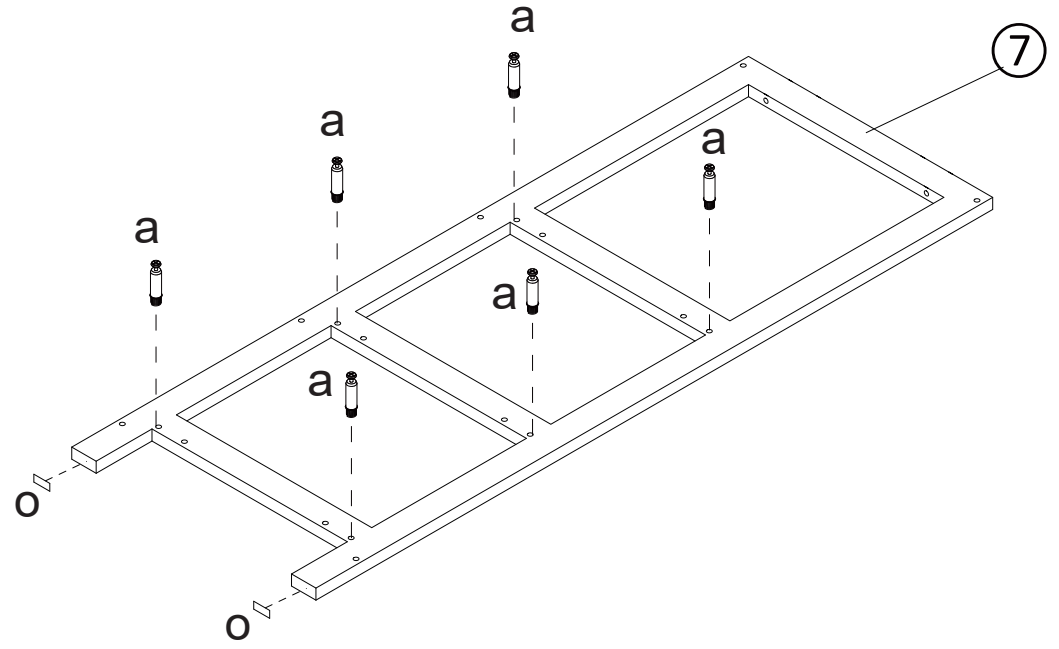
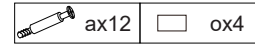


Do not tighten the screws fully during assembly.
Fully tighten screws after the final assembly steps

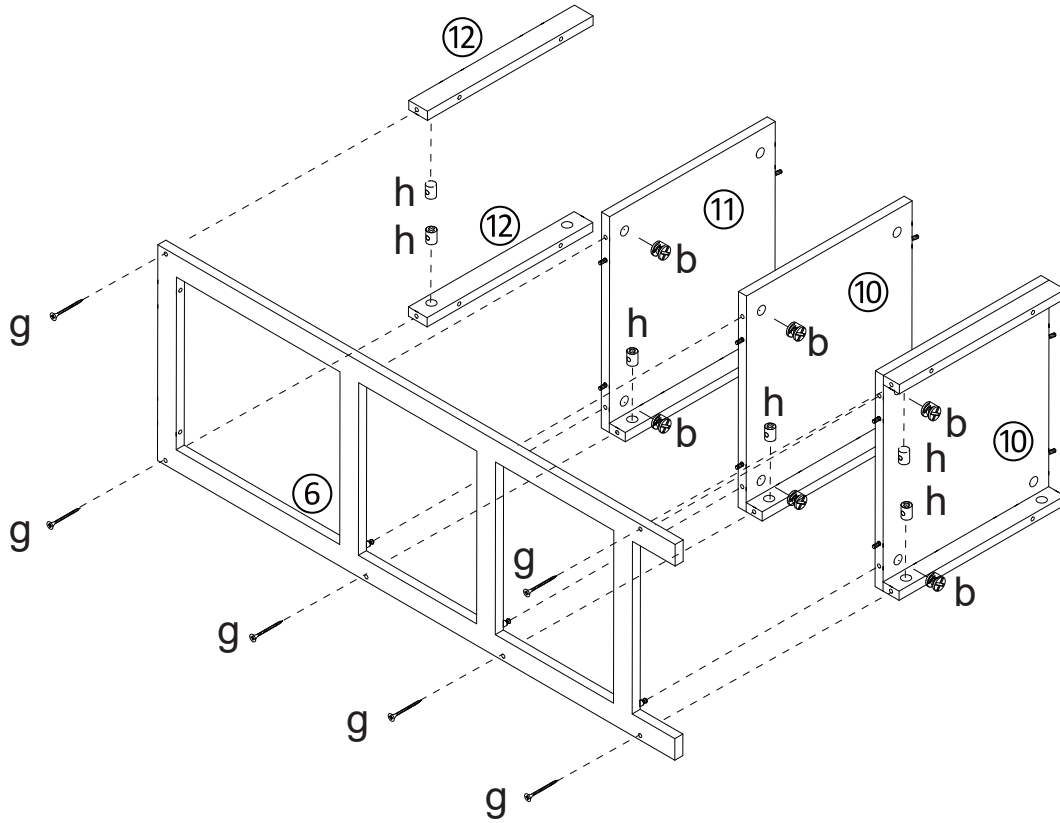
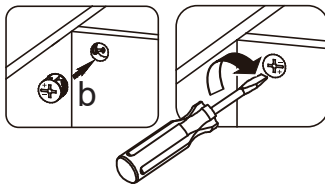
STEP 1



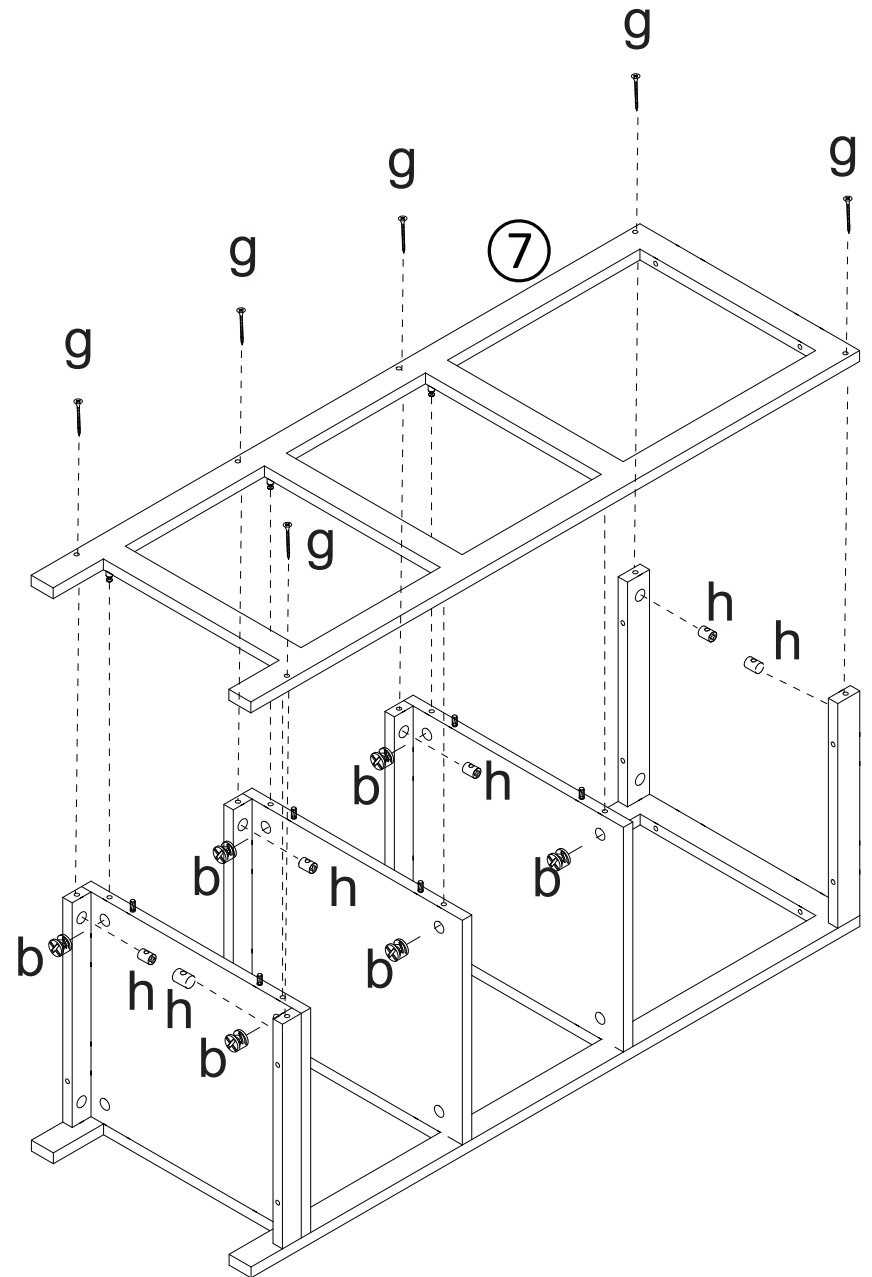
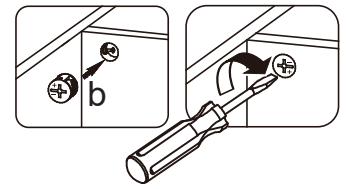
STEP 2



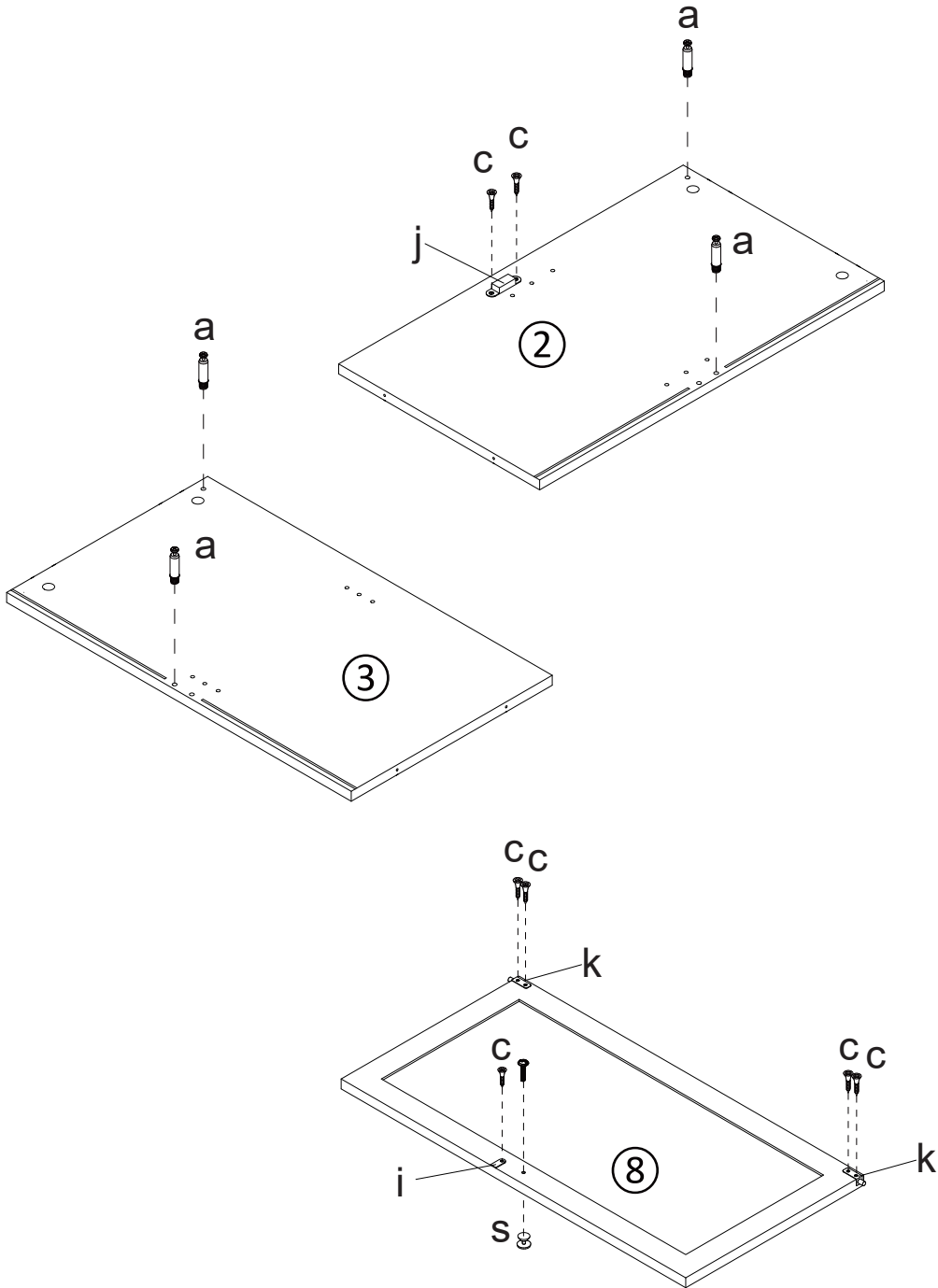
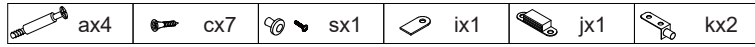
STEP 3



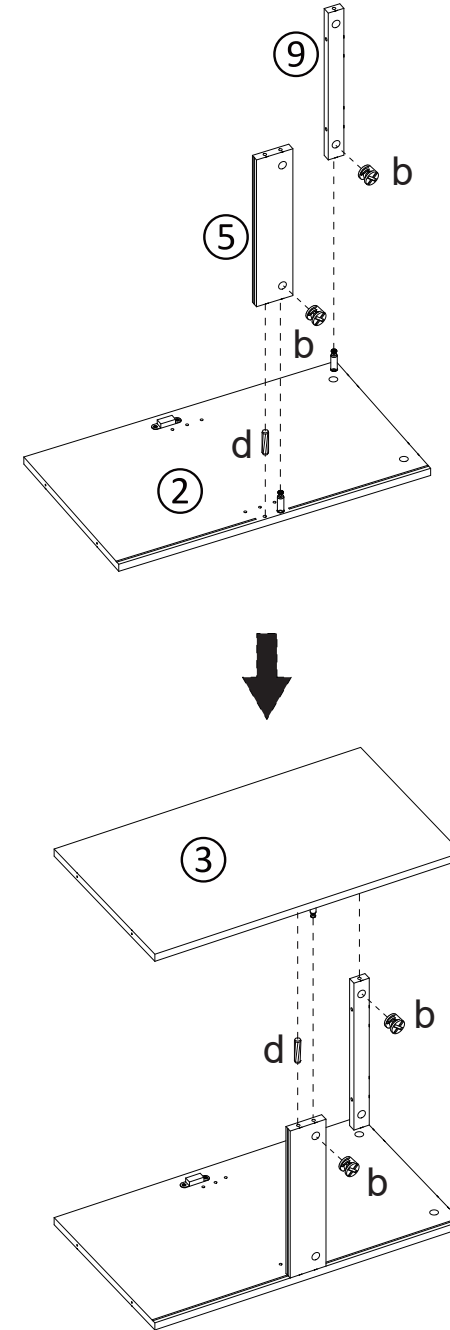
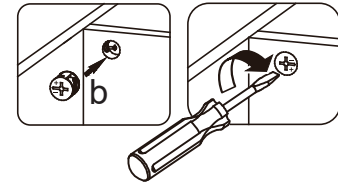
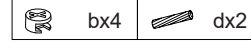
STEP 4



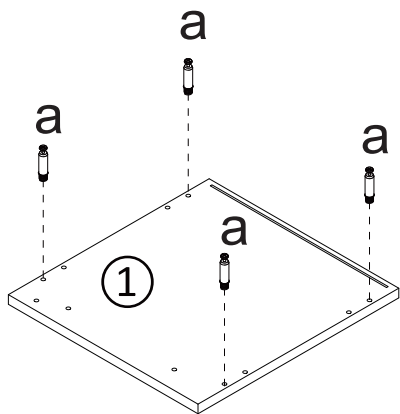
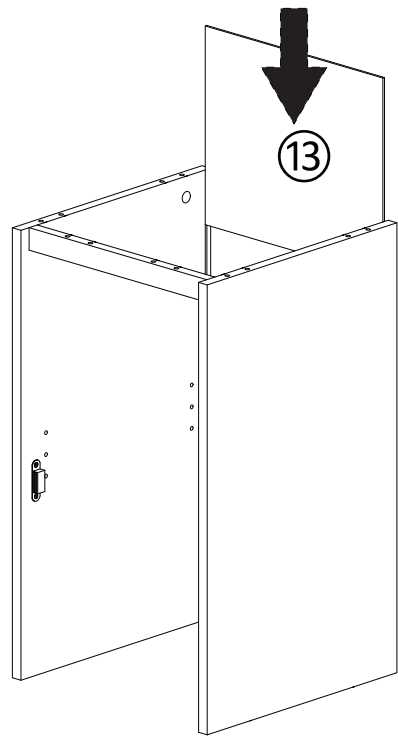
STEP 5






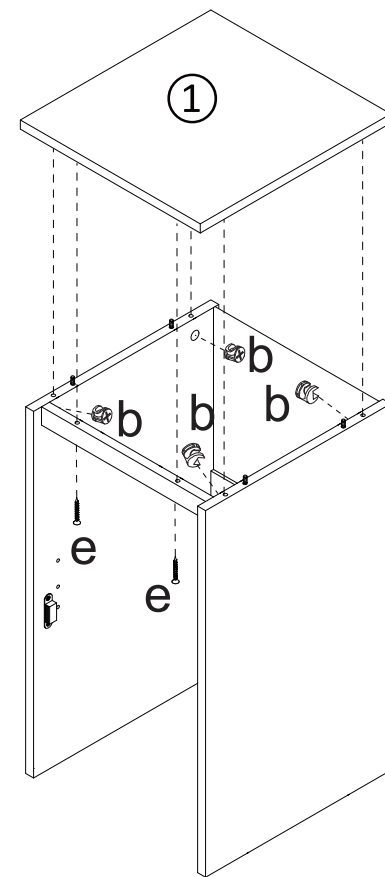
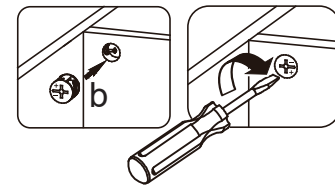
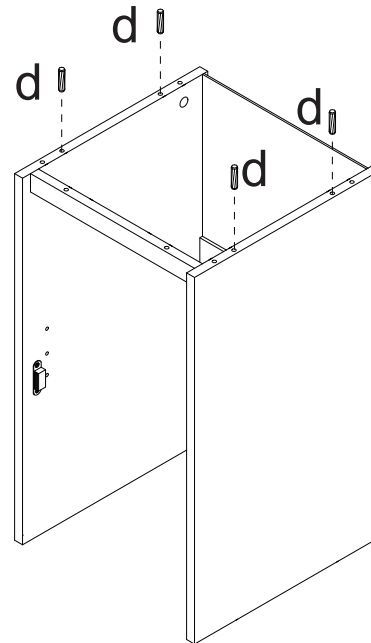
STEP 6



STEP 7  ax4

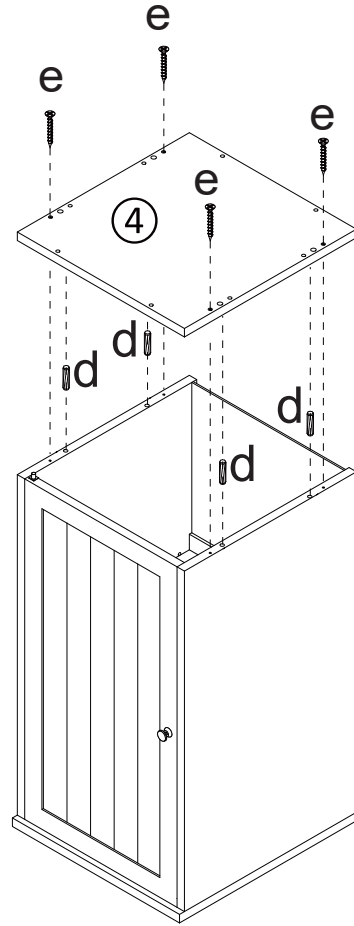
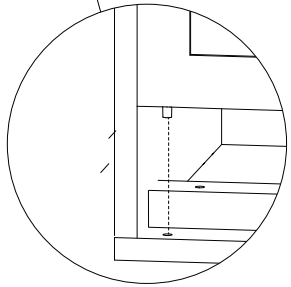
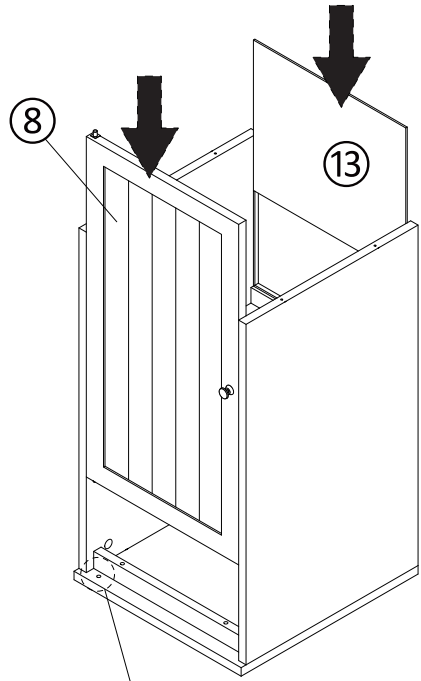


STEP 8  bx4  dx4  ex2



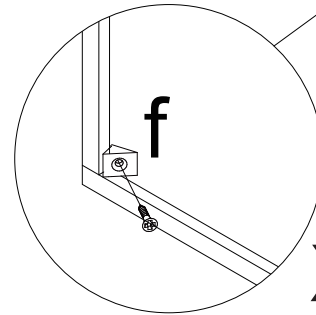
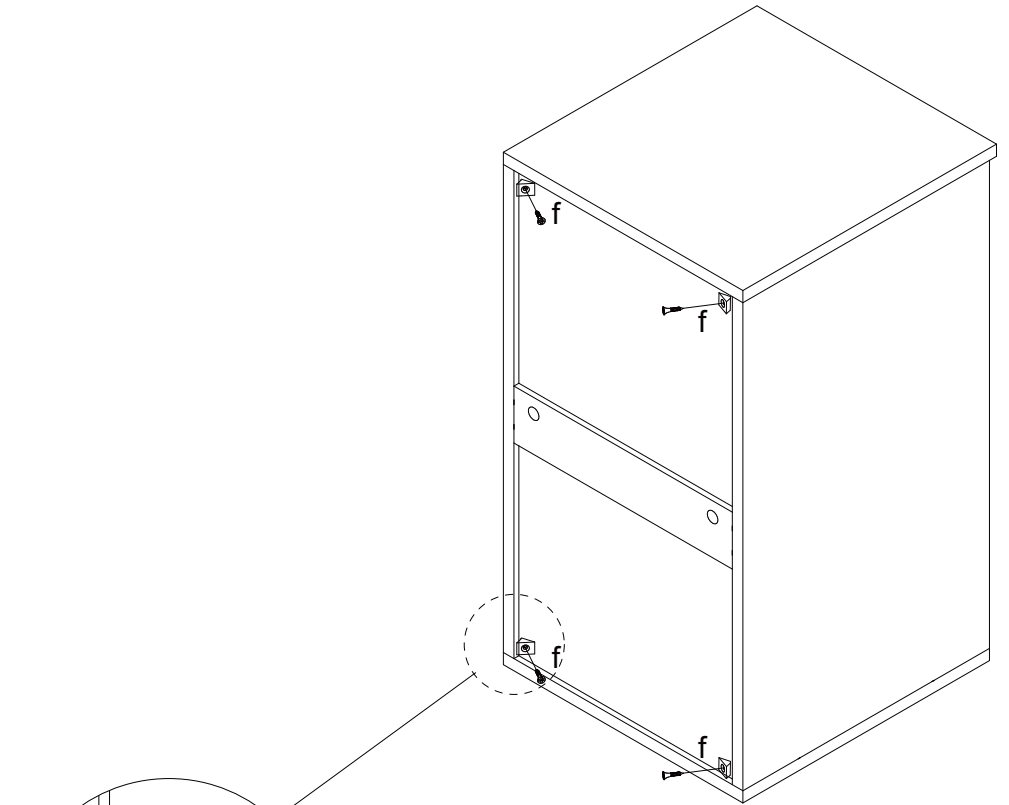
STEP 9

ex4 dx4



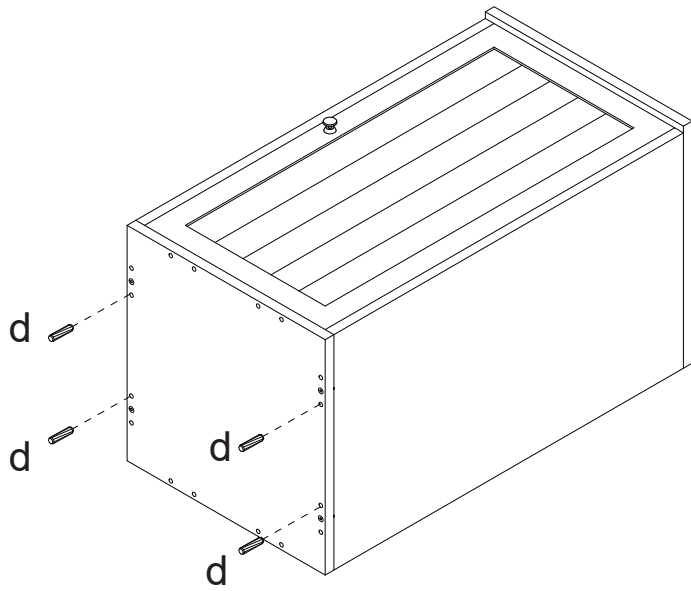
STEP 10

fx4

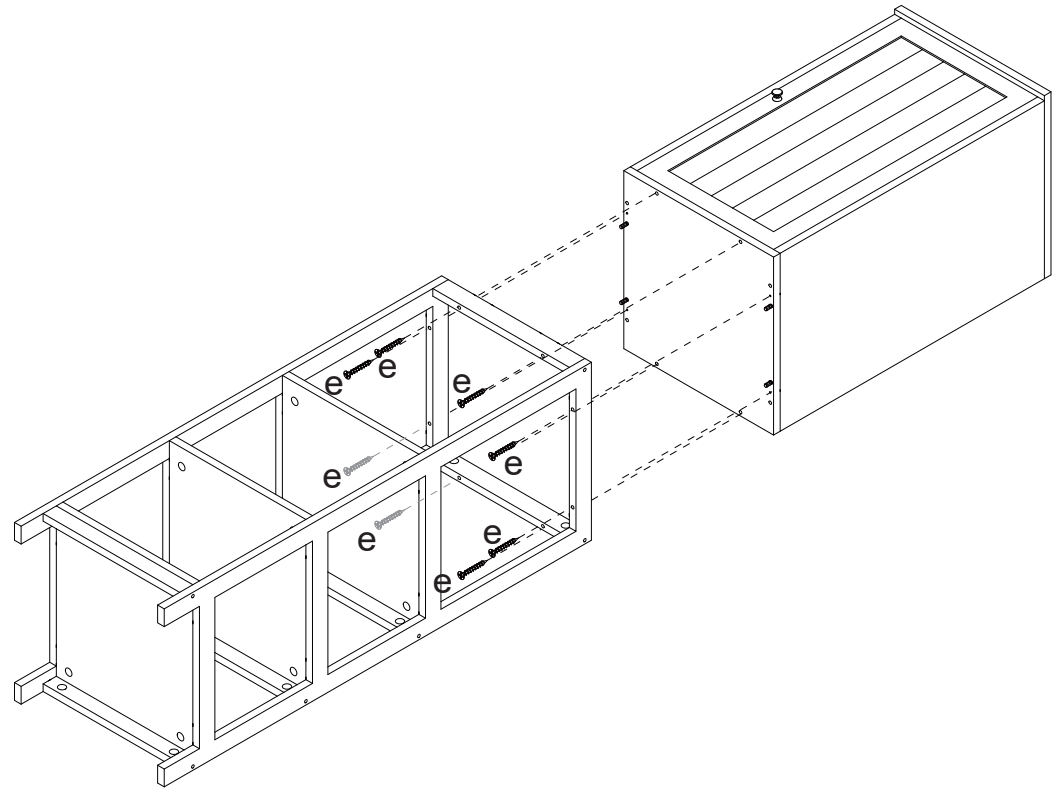


x4

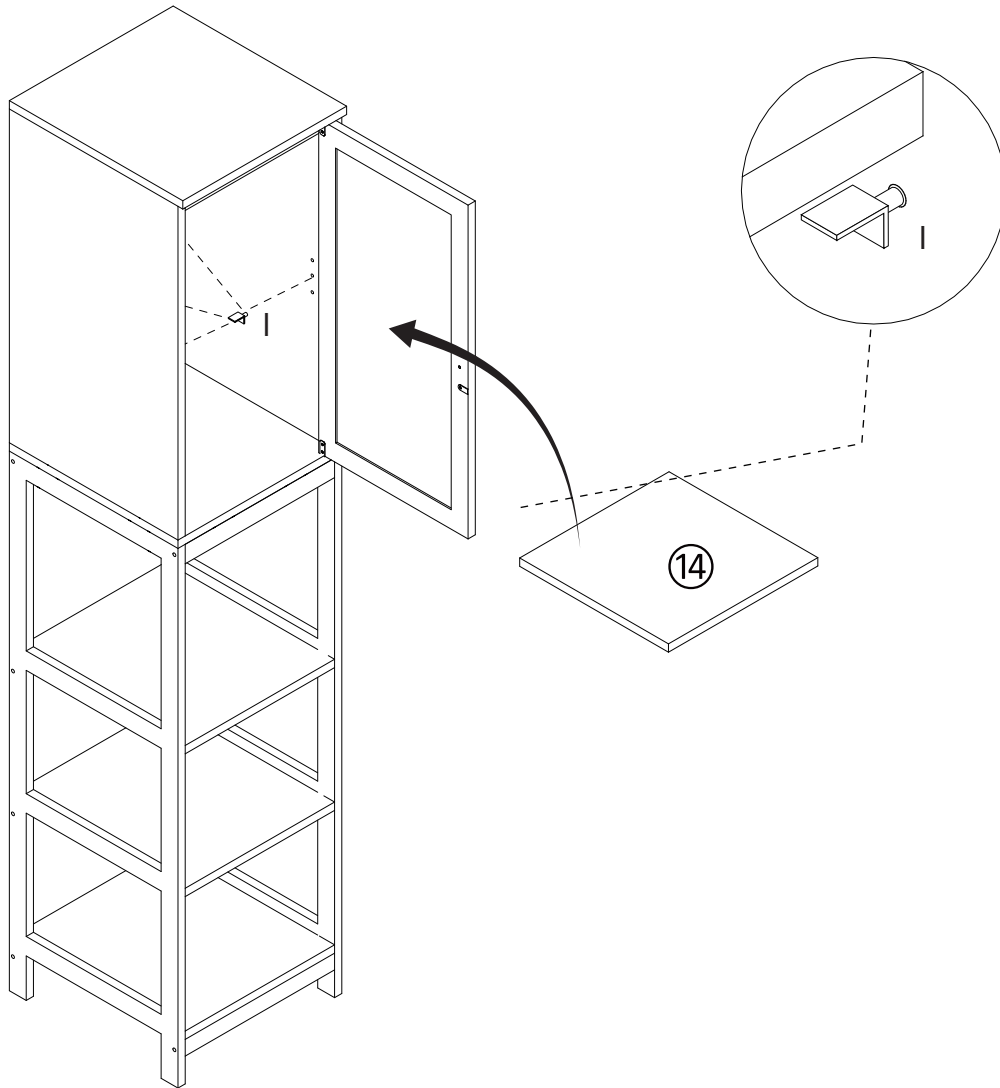
STEP 11



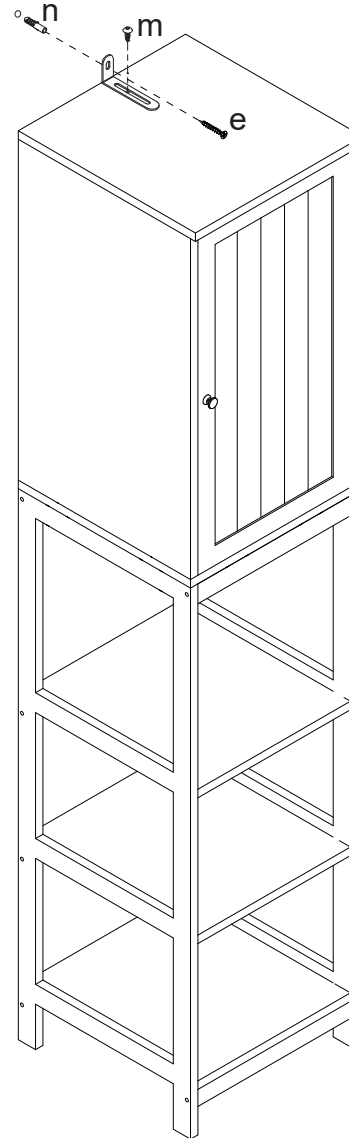
STEP 12



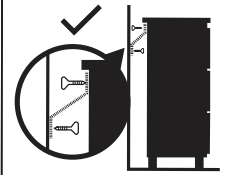
STEP 13



STEP 14



WARNING



- Children have died from furniture tipover.**
- ALWAYS secure it with an anchor device.
 - NEVER allow children to stand, climb or hang on drawers, doors, or shelves.
 - NEVER open more than one drawer at a time.
 - Place heavy items down low.
 - Furniture type is at risk of toppling over.

NEVER put a TV on this furniture



This is a permanent label. Do not remove!

TOPPLING FURNITURE WARNING:

- It is strongly recommended that this product is permanently fixed to the wall.
- Please seek professional advice if you are in doubt of what fixing device to use.
- Regularly check that anchors are securely maintained.
- Use safety drawer locks to prevent children climbing.
- Stability of tall items may be affected by thick pile carpet or uneven floors .
- Do not place unanchored televisions on furniture .

CAUTION: for your safety when attaching the anchor fixings, please note the following:

- Check any electrical wires or plumbing inside the wall before drilling any holes (if you are unsure please seek professional advice from a qualified tradesperson).



WARNING: PLEASE SECURE YOUR FURNITURE WITH THE SUPPLIED WALL FIXING. SCAN THE CODE FOR MORE INFORMATION.

