

Assembly Instructions

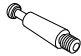





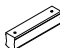




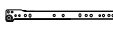



43494996 ADDISON 4 DRAW CHEST

WARNING: DO NOT STAND, SIT OR LEAN ON THIS UNIT. DO NOT USE THIS UNIT AS A STEP LADDER OR AS A CHOPPING SURFACE. KEEP AWAY FROM CHILDREN AND BABIES. ADULT ASSEMBLY REQUIRED. USE ONLY ON A FLAT SURFACE. DO NOT USE THIS UNIT UNLESS ALL BOLTS AND SCREWS ARE FIRMLY SECURED.

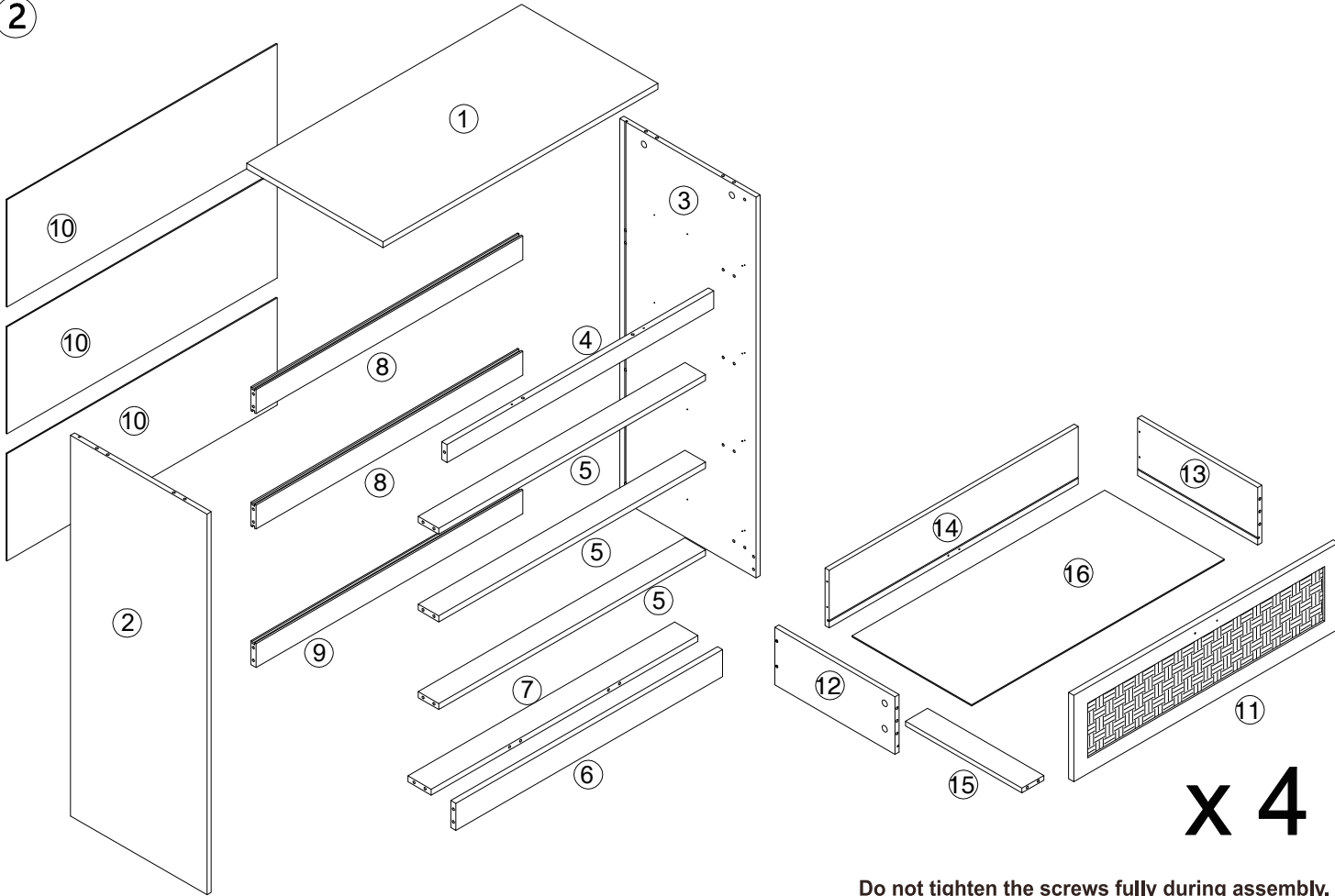
CARE INSTRUCTIONS: TO BE ASSEMBLED ON A CLEAN, DRY AND SMOOTH SURFACE. WIPE CLEAN WITH A SOFT DAMP CLOTH. NEVER USE SCOURERS, ABRASIVES OR CHEMICAL SOLVENTS. CHECK AND TIGHTEN ALL PARTS REGULARLY. KEEP AWAY FROM MOISTURE AND DIRECT SUNLIGHT. STORE IN A DRY PLACE. FOR INDOOR AND DOMESTIC USE ONLY.

MAXIMUM SAFE LOAD: 15KG FOR TOP PANEL, 7KG FOR EACH DRAWER.

1 Hardware List

| | | | |
|---|----|---------|-------|
|  | A | M6x35mm | 50pcs |
|  | B | Ø15x9mm | 50pcs |
|  | C | Ø6x30mm | 30pcs |
|  | E | M4x35mm | 26pcs |
|  | F | | 12pcs |
|  | G | M3x16mm | 12pcs |
|  | H | | 4pcs |
|  | I | M4x18mm | 8pcs |
|  | J | | 2pcs |
|  | K | | 2pcs |
|  | L | M3x12mm | 56pcs |
|  | CL | | 4pcs |
|  | CR | | 4pcs |
|  | DL | | 4pcs |
|  | DR | | 4pcs |

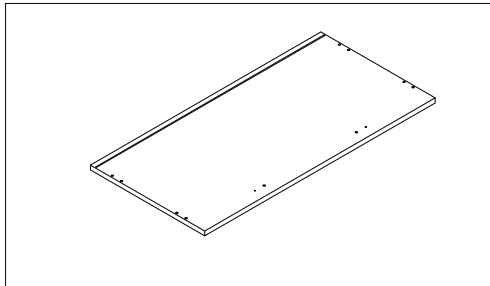
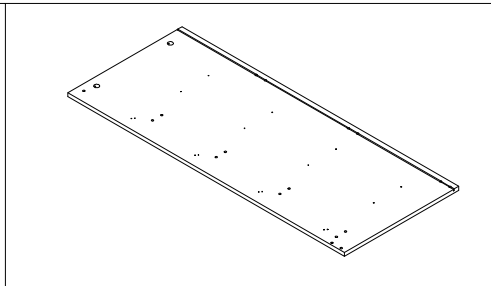
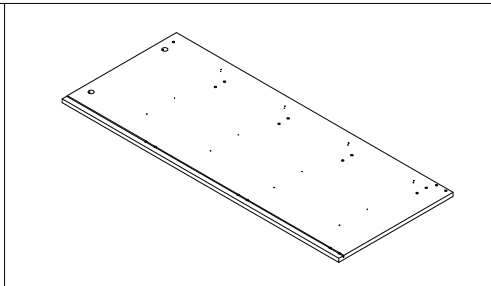
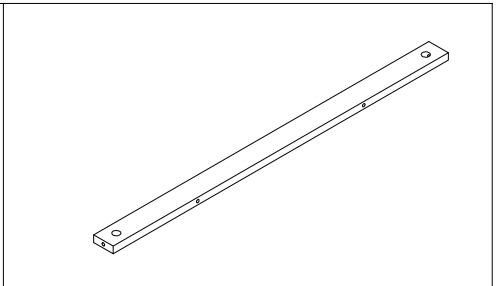
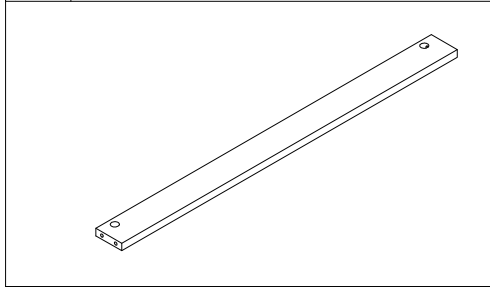
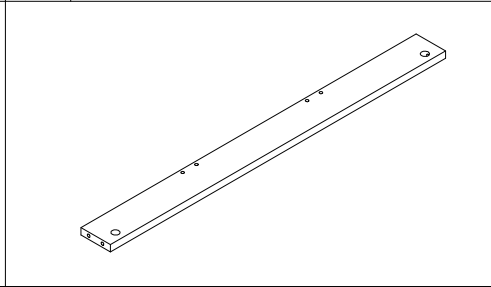
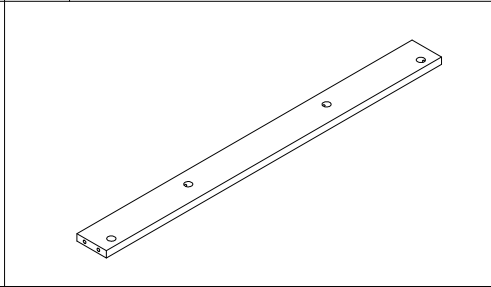
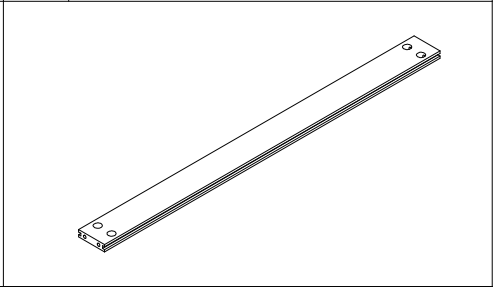
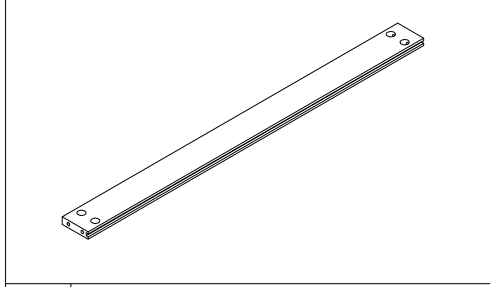
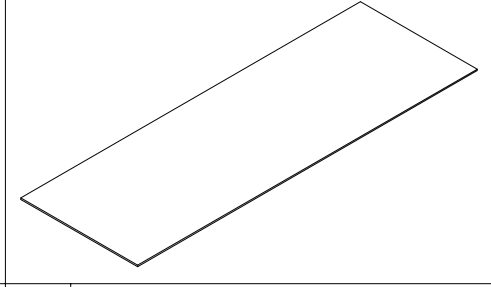
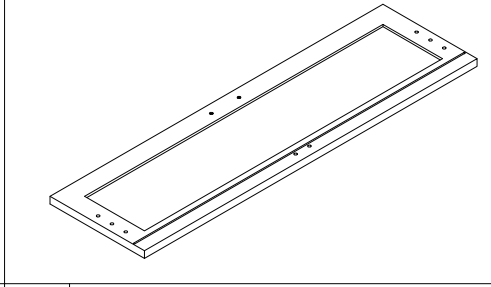
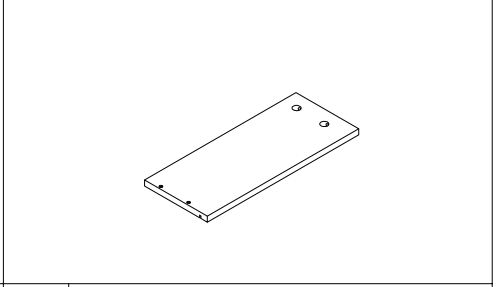
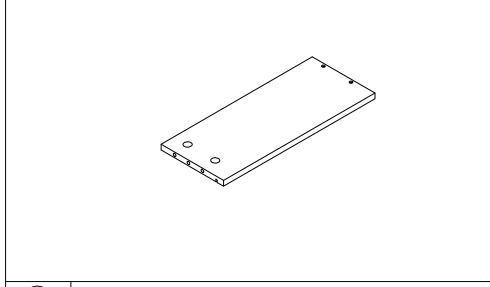
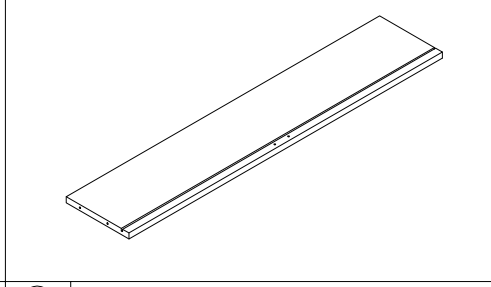
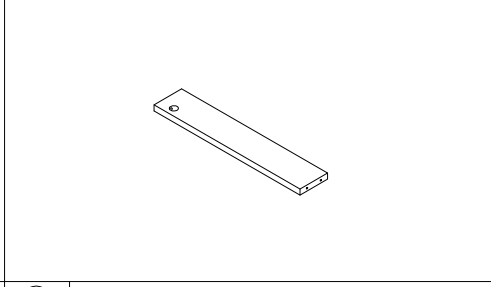
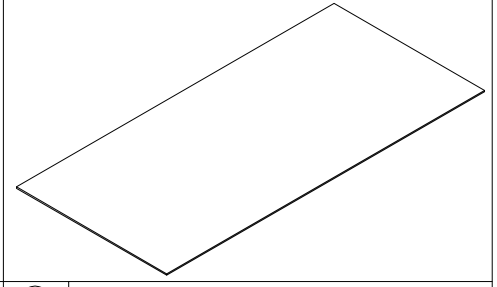
2



x 4

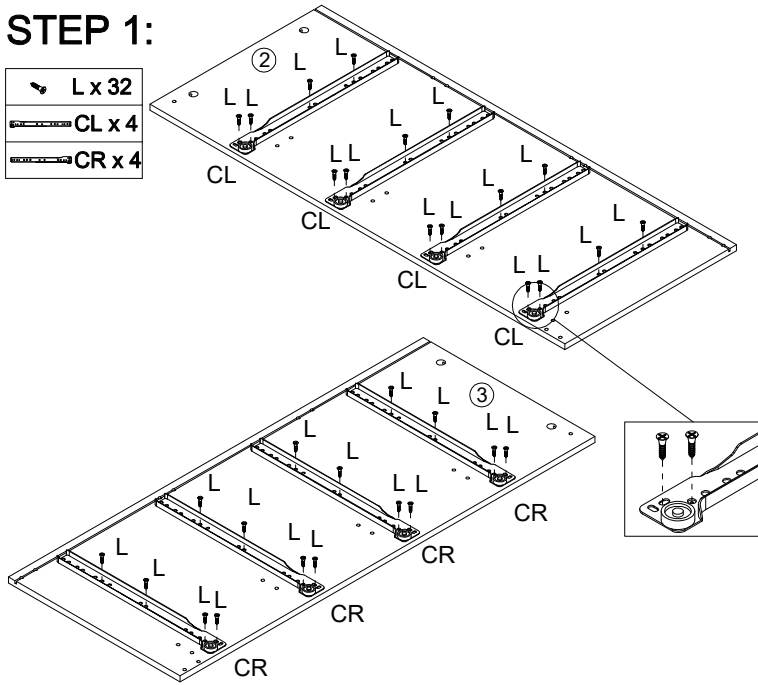
Do not tighten the screws fully during assembly.
Fully tighten screws after the final assembly steps

3

| | | | |
|---|--|---|---|
|  |  |  |  |
| ① 1PC | ② 1PC | ③ 1PC | ④ 1PC |
|  |  |  |  |
| ⑤ 3PCS | ⑥ 1PC | ⑦ 1PC | ⑧ 2PCS |
|  |  |  |  |
| ⑨ 1PC | ⑩ 3PCS | ⑪ 4PCS | ⑫ 4PCS |
|  |  |  |  |
| ⑬ 4PCS | ⑭ 4PCS | ⑮ 4PCS | ⑯ 4PCS |

STEP 1:

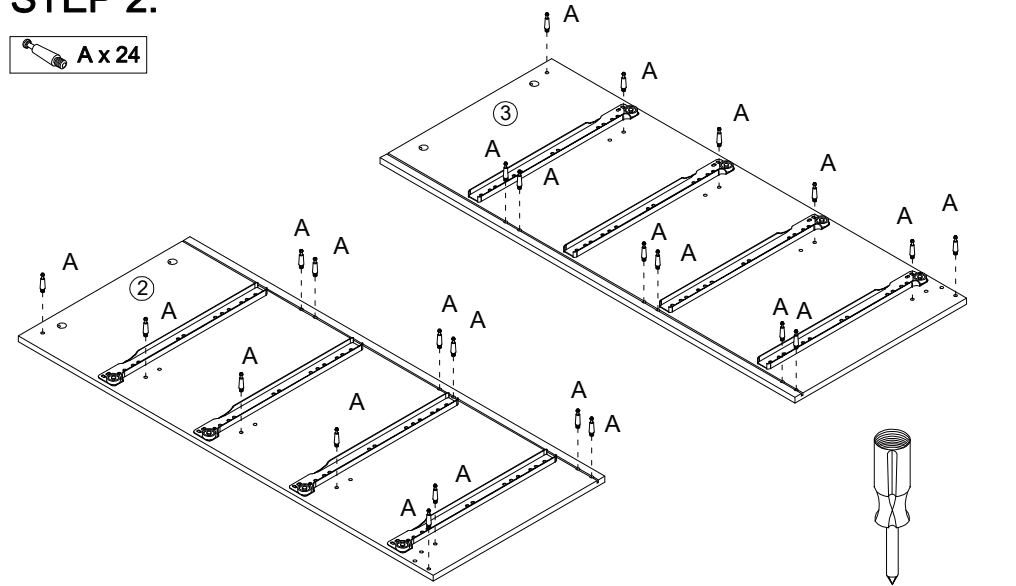
- L x 32
- CL x 4
- CR x 4



Tool required
Phillips Head Screw Driver
(Not Provided)

STEP 2:

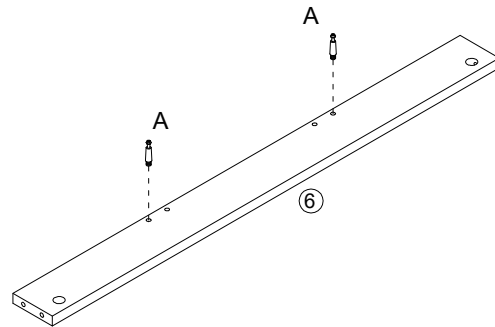
- A x 24



Tool required
Phillips Head Screw Driver
(Not Provided)

STEP 3:

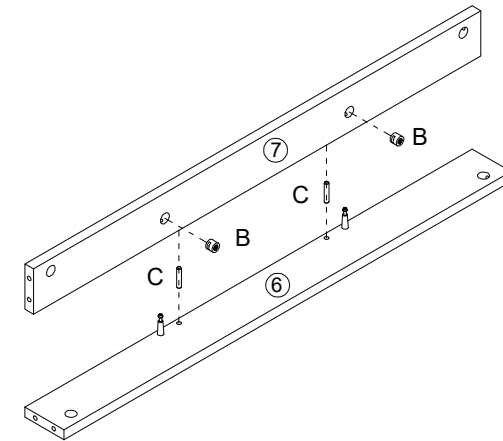
- A x 2



Tool required
Phillips Head Screw Driver
(Not Provided)


STEP 4:

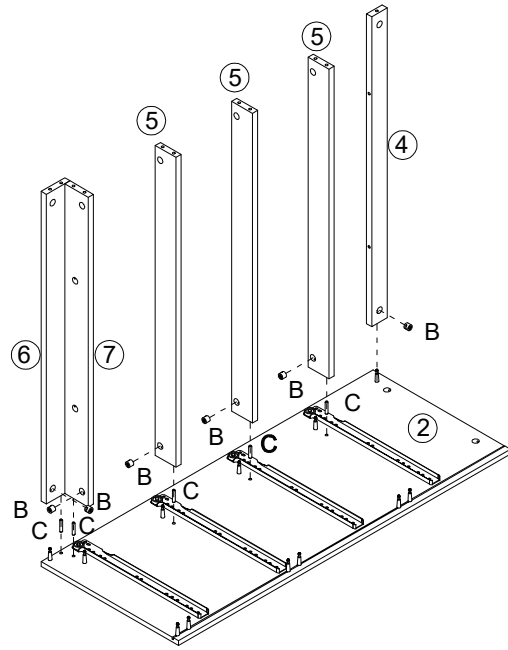
- B x 2
- C x 2



Tool required
Phillips Head Screw Driver
(Not Provided)


STEP 5:

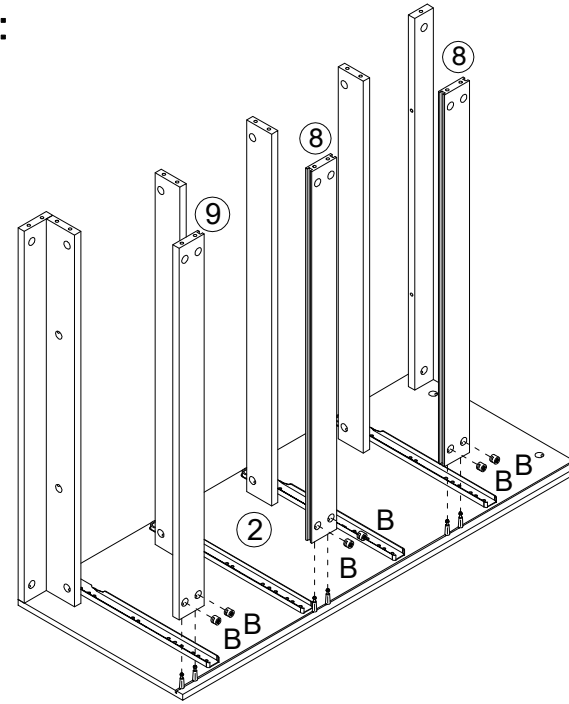
-  B x 6
-  C x 5



Tool required
Philips Head Screw Driver
(Not Provided)

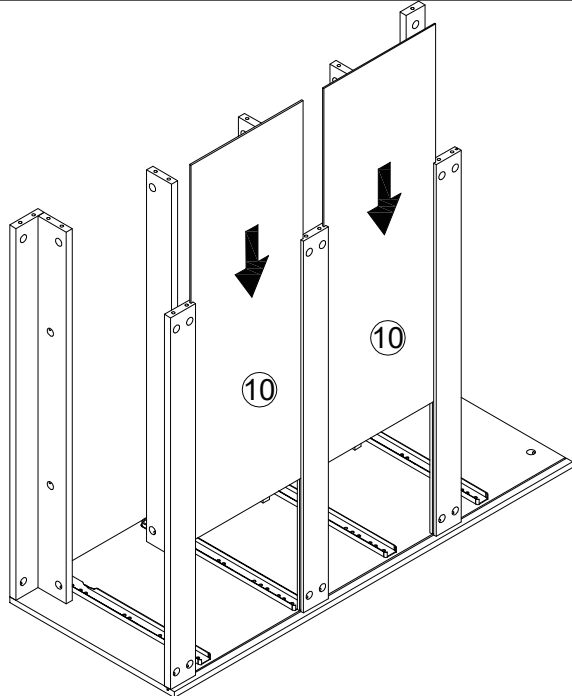
STEP 6:

-  B x 6



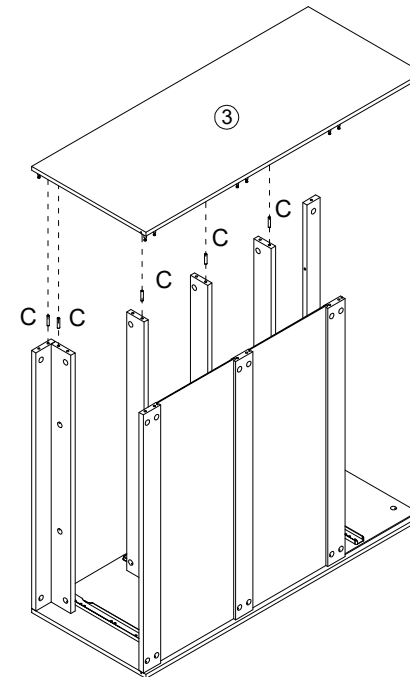
Tool required
Philips Head Screw Driver
(Not Provided)

STEP 7:



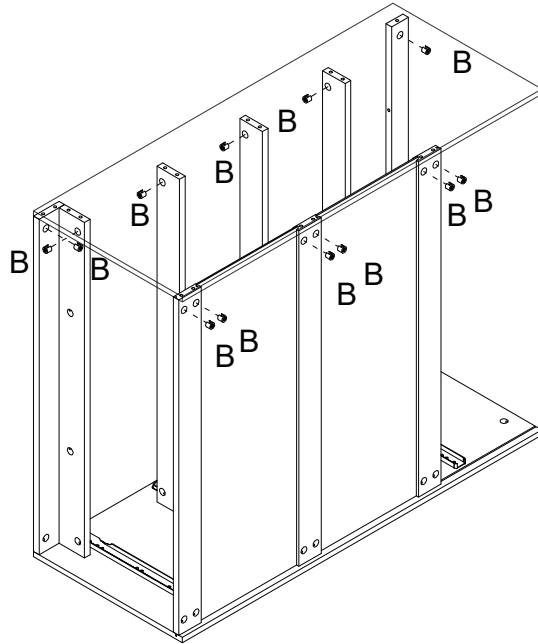
STEP 8:

-  C x 5



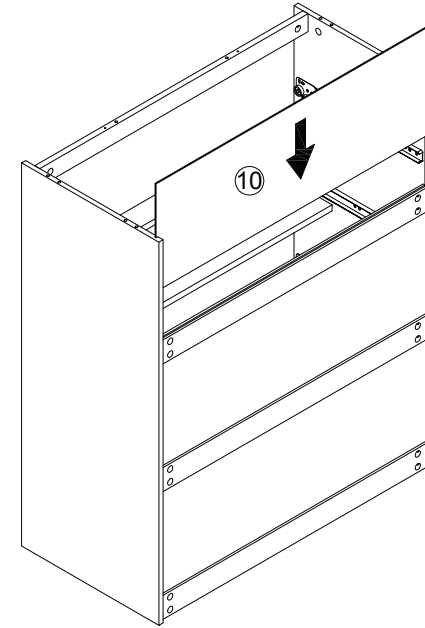
STEP 9:

 B x 12



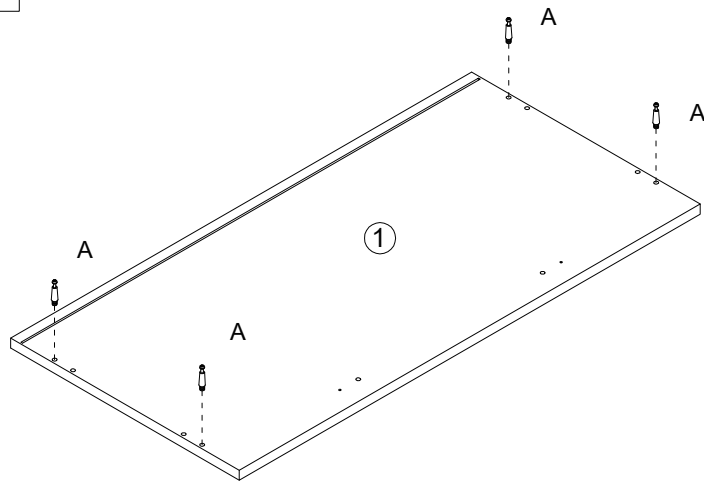
Tool required
Philips Head Screw Driver
(Not Provided)

STEP 10:



STEP 11:

 A x 4




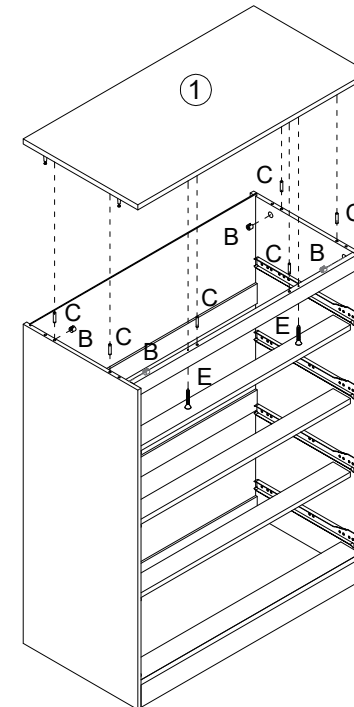
Tool required
Philips Head Screw Driver
(Not Provided)

STEP 12:

 B x 4

 C x 6

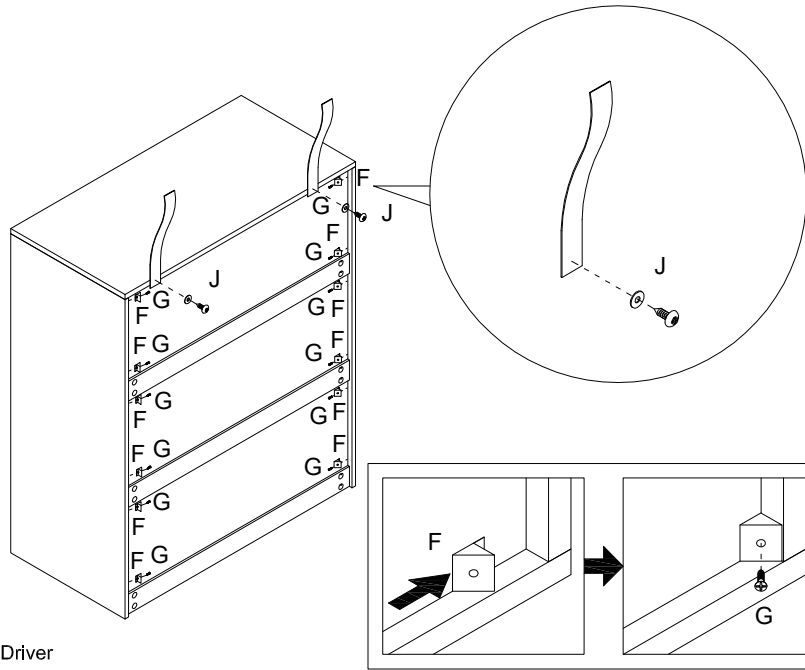
 E x 2



Tool required
Philips Head Screw Driver
(Not Provided)

STEP 13:

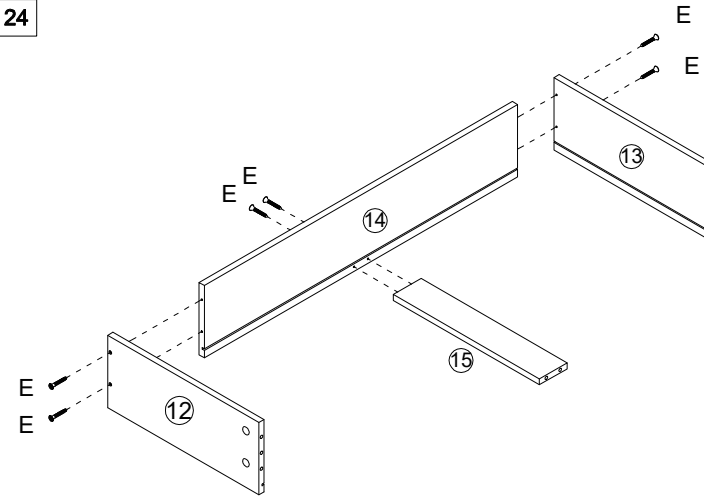
- F x 12
- G x 12
- J x 2



Tool required
Philips Head Screw Driver
(Not Provided)

STEP 14:

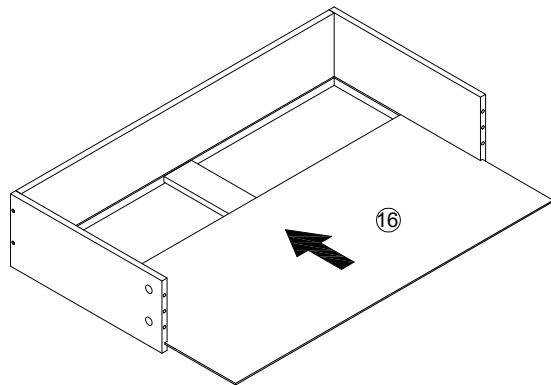
- E x 24



x 4

Tool required
Philips Head Screw Driver
(Not Provided)

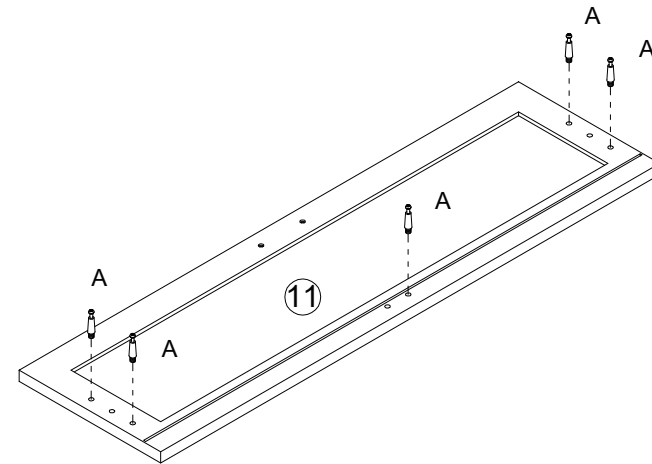
STEP 15:



x 4

STEP 16:



- A x 20

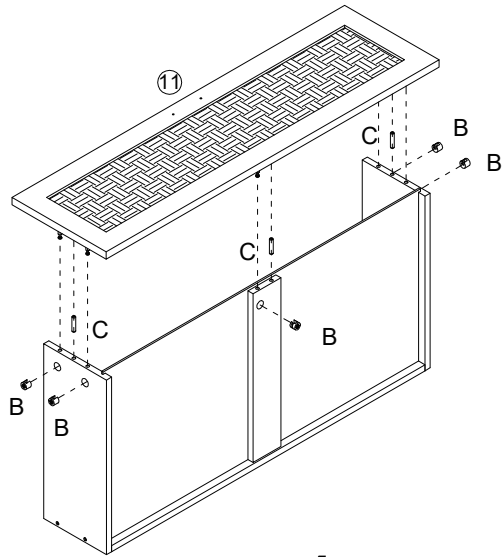


x 4

Tool required
Philips Head Screw Driver
(Not Provided)

STEP 17:




-  B x 20
-  C x 12

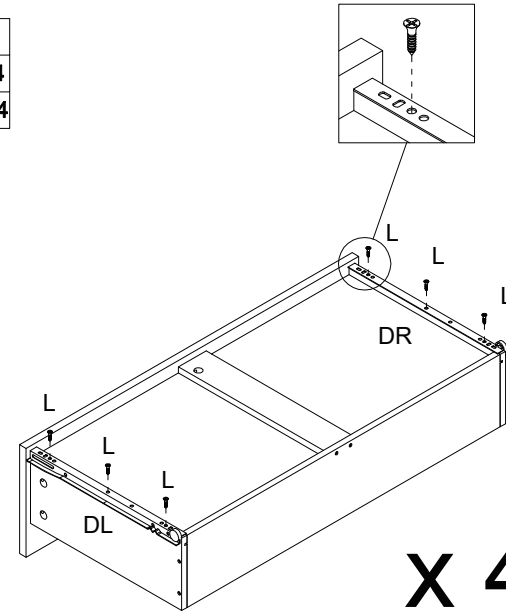


x 4

Tool required
Philips Head Screw Driver
(Not Provided)

STEP 18:


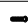
-  L x 24
-  DL x 4
-  DR x 4

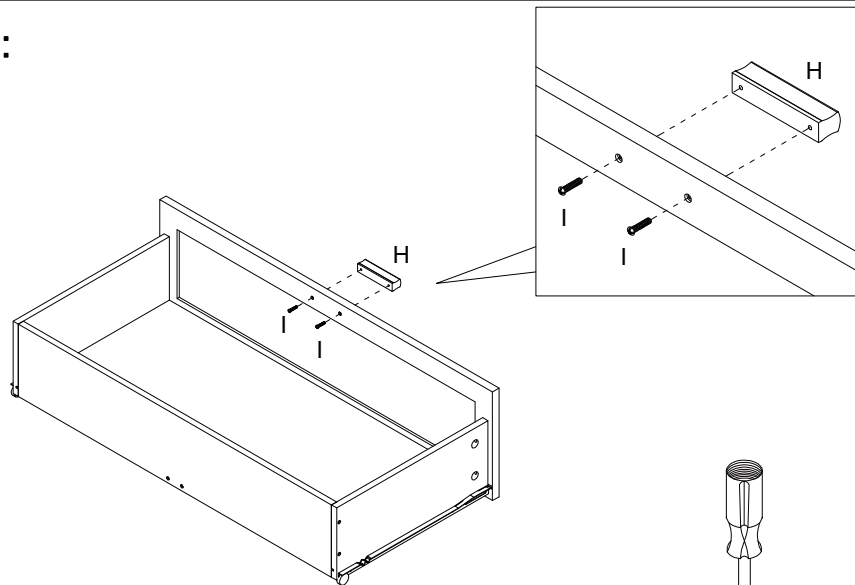


x 4

Tool required
Philips Head Screw Driver
(Not Provided)

STEP 19:

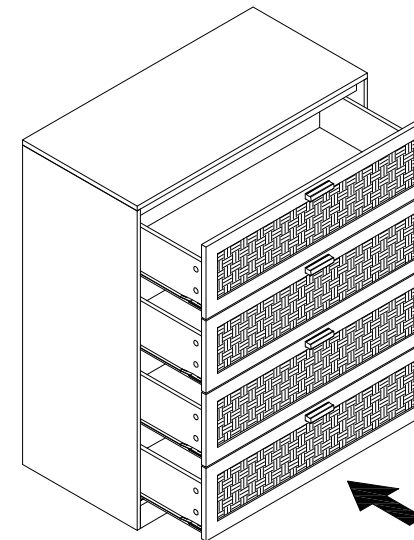
-  H x 4
-  I x 8



x 4

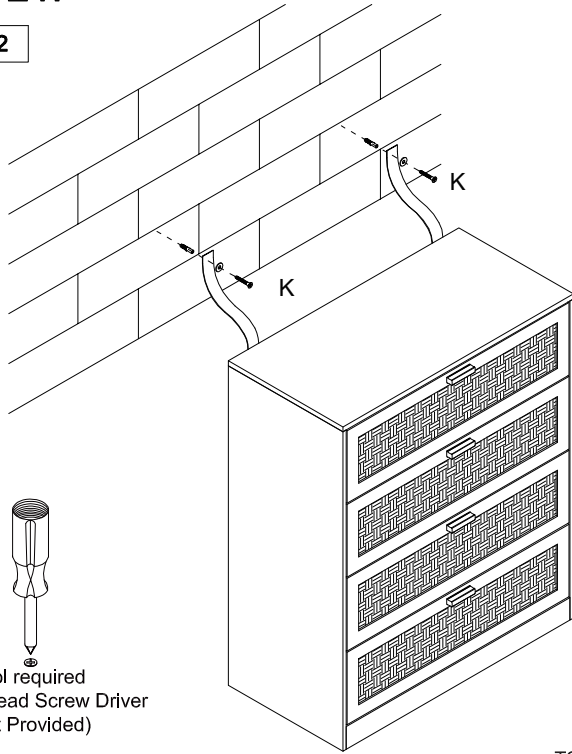
Tool required
Philips Head Screw Driver
(Not Provided)

STEP 20:



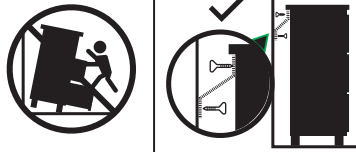
STEP 21:

 K x 2



Tool required
Phillips Head Screw Driver
(Not Provided)

WARNING



Children have died from furniture tipover.

- ALWAYS secure it with an anchor device.
- NEVER allow children to stand, climb or hang on drawers, doors, or shelves.
- NEVER open more than one drawer at a time.
- Place heavy items down low.

NEVER put a TV
on this furniture



This is a permanent label. Do not remove!

TOPPLING FURNITURE WARNING:

- It is strongly recommended that this product is permanently fixed to the wall.
- Please seek professional advice if you are in doubt of what fixing device to use.
- Regularly check that anchors are securely maintained.
- Use safety drawer locks to prevent children climbing.
- Stability of tall items may be affected by thick pile carpet or uneven floors .
- Do not place unanchored televisions on furniture .

CAUTION: for your safety when attaching the anchor fixings, please note the following:

- Check any electrical wires or plumbing inside the wall before drilling any holes (if you are unsure please seek professional advice from a qualified tradesperson).



WARNING: PLEASE SECURE
YOUR FURNITURE WITH
THE SUPPLIED WALL FIXING.
SCAN THE CODE FOR
MORE INFORMATION.

