

Assembly Instructions

43498185 ADDISON CHEST OF DRAWERS

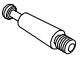
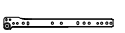






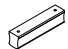









WARNING: DO NOT STAND, SIT OR LEAN ON THIS UNIT. DO NOT USE THIS UNIT AS A STEP LADDER OR AS A CHOPPING SURFACE. KEEP AWAY FROM CHILDREN AND BABIES. ADULT ASSEMBLY REQUIRED. USE ONLY ON A FLAT SURFACE. DO NOT USE THIS UNIT UNLESS ALL BOLTS AND SCREWS ARE FIRMLY SECURED.

CARE INSTRUCTIONS: TO BE ASSEMBLED ON A CLEAN, DRY AND SMOOTH SURFACE. WIPE CLEAN WITH A SOFT DAMP CLOTH. NEVER USE SCOURERS, ABRASIVES OR CHEMICAL SOLVENTS. CHECK AND TIGHTEN ALL PARTS REGULARLY. KEEP AWAY FROM MOISTURE AND DIRECT SUNLIGHT. STORE IN A DRY PLACE. FOR INDOOR AND DOMESTIC USE ONLY.

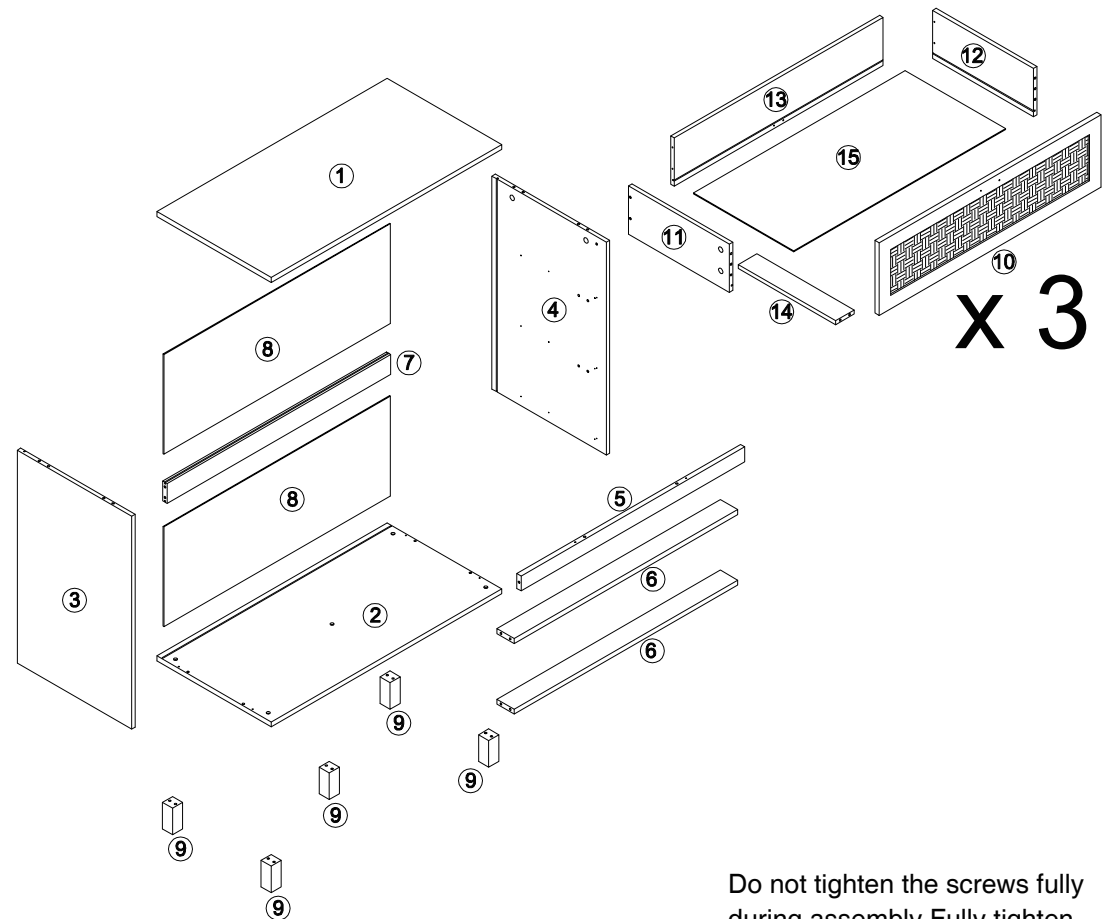
MAXIMUM SAFE LOAD: 15KG FOR TOP PANEL, 7KG FOR EACH DRAWER.

①

Hardware List

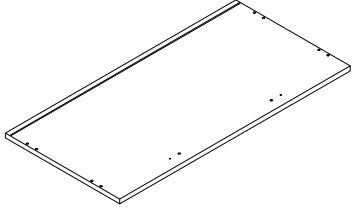
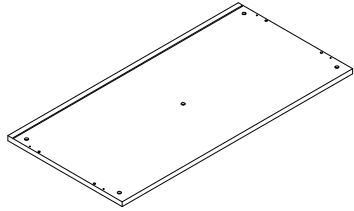
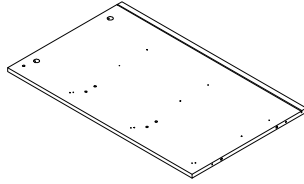
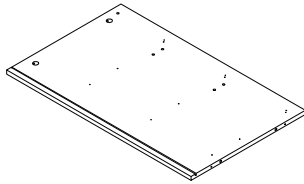
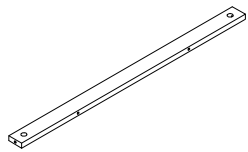
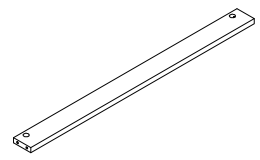
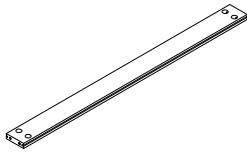
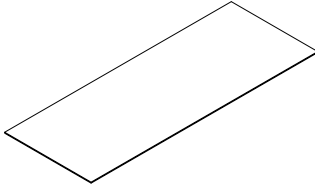
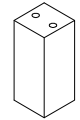
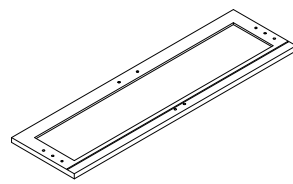
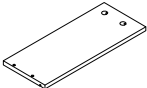
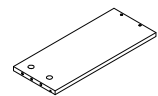
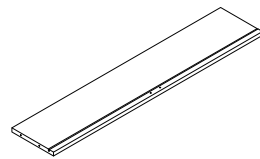
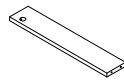
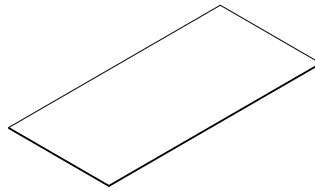
	A	M6x35mm	29pcs		CL		3pcs
	B	Ø15x9mm	29pcs		CR		3pcs
	C	Ø6x30mm	23pcs		DL		3pcs
	D	M4x35mm	24pcs		DR		3pcs
	E		3pcs				
	F	M4x18mm	6pcs				
	G	M7x40mm	5pcs				
	H	M8x30mm	5pcs				
	I		1pc				
	J		8pcs				
	K	M3x16mm	8pcs				
	M		2pcs				
	N		2pcs				
	O	M3x12mm	42pcs				

②



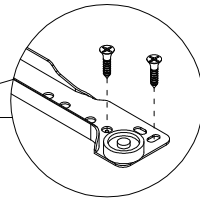
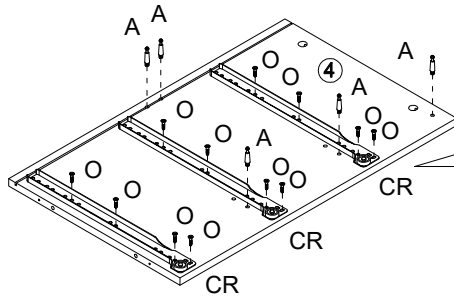
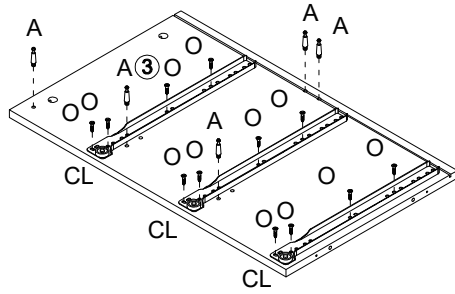
Do not tighten the screws fully during assembly. Fully tighten screws after the final assembly steps.

3

			
① 1PC	② 1PC	③ 1PC	④ 1PC
			
⑤ 1PC	⑥ 2PCS	⑦ 1PC	⑧ 2PCS
			
⑨ 5PCS	⑩ 3PCS	⑪ 3PCS	⑫ 3PCS
			
⑬ 3PCS	⑭ 3PCS	⑮ 3PCS	

STEP 1:

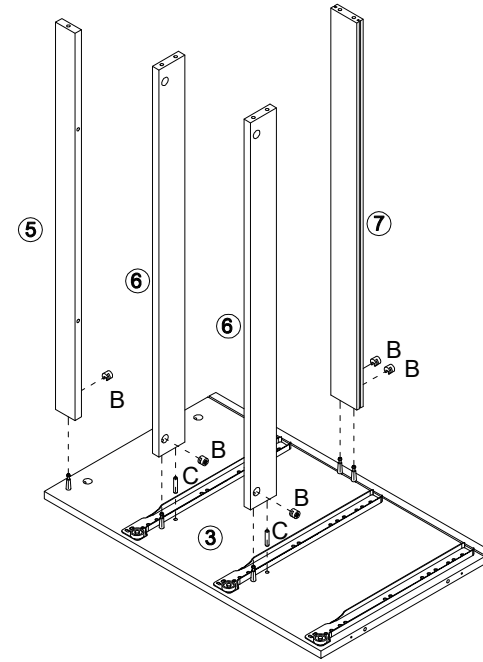
- A x 10
- O x 24
- CL x 3
- CR x 3



Tool required
Philips Head Screw Driver
(Not Provided)

STEP 2:

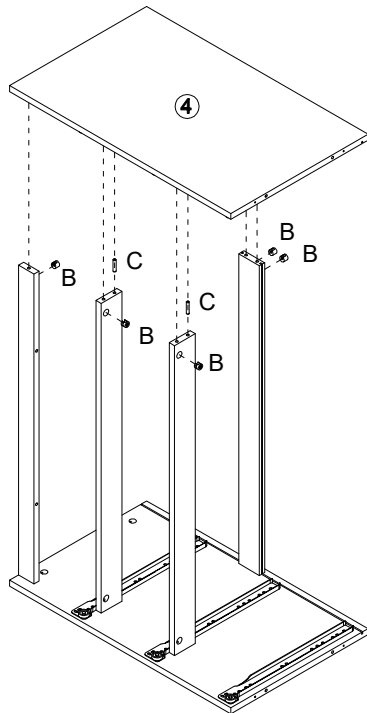
- B x 5
- C x 2



Tool required
Philips Head Screw Driver
(Not Provided)

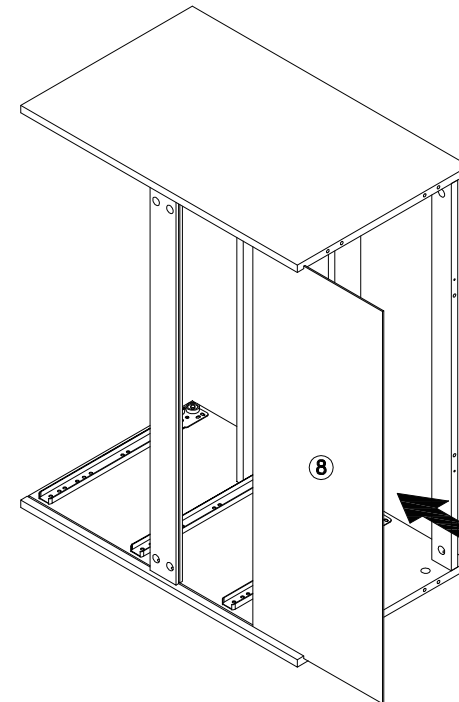
STEP 3:

- B x 5
- C x 2



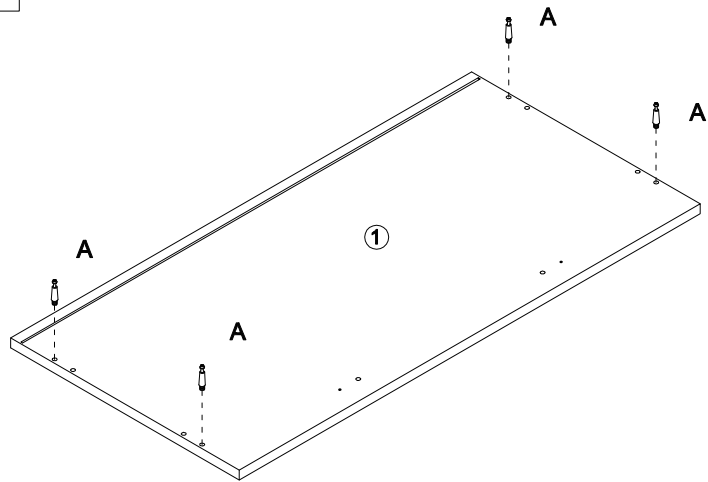
Tool required
Philips Head Screw Driver
(Not Provided)

STEP 4:






STEP 5:

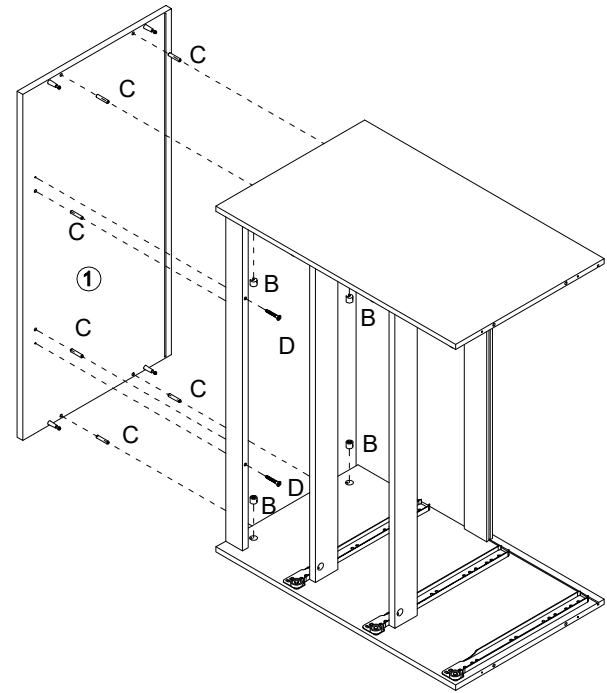
 A x 4



Tool required
Phillips Head Screw Driver
(Not Provided)

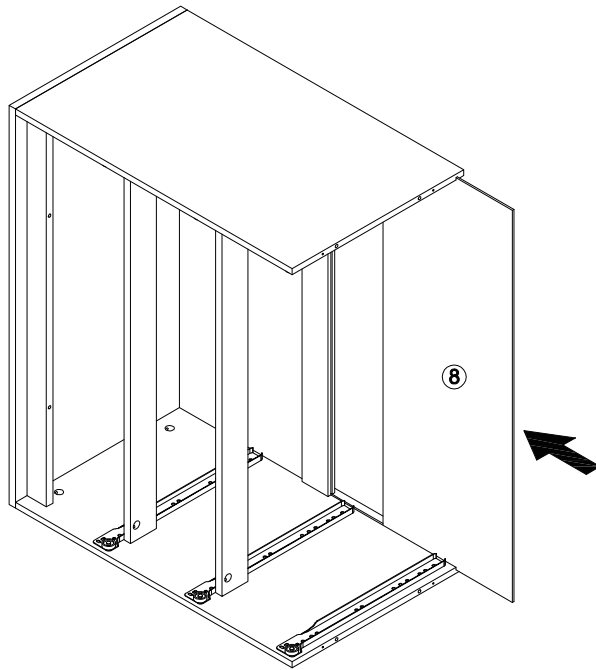
STEP 6:

 B x 4
 C x 6
 D x 2






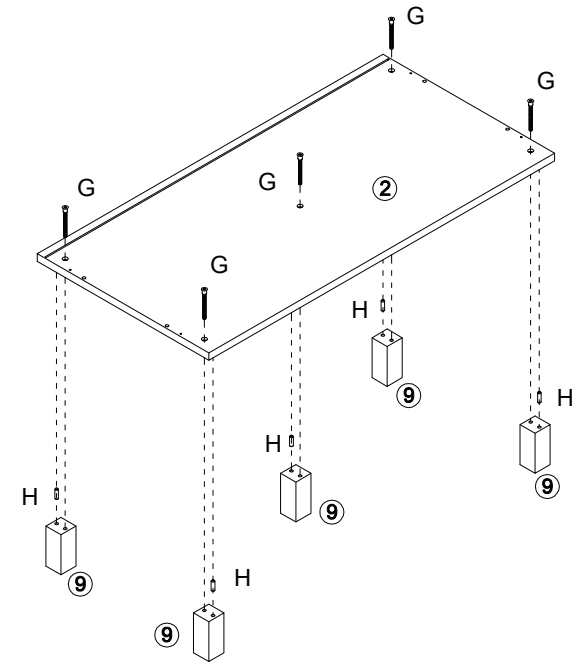
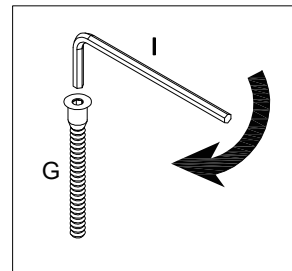
Tool required
Phillips Head Screw Driver
(Not Provided)

STEP 7:





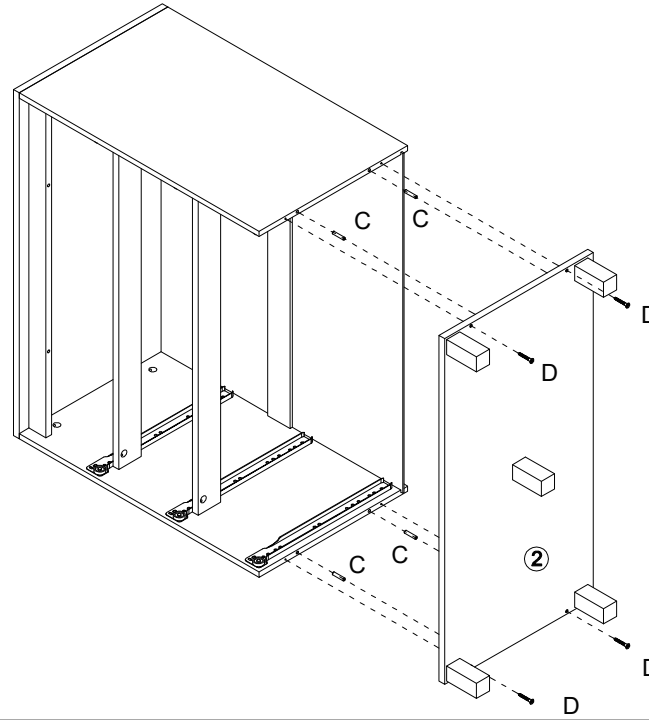
STEP 8:

 G x 5
 H x 5
 I x 1






STEP 9:

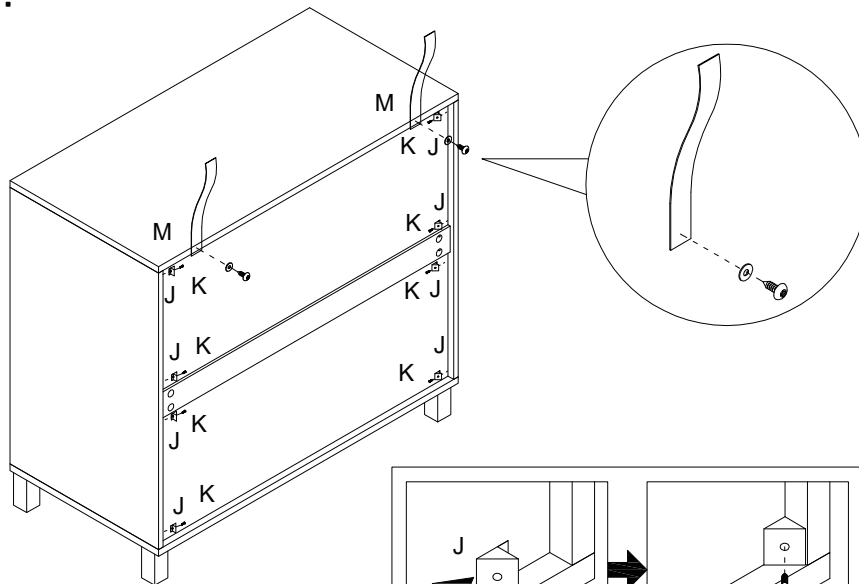
-  C x 4
-  D x 4



Tool required
Philips Head Screw Driver
(Not Provided)

STEP 10:

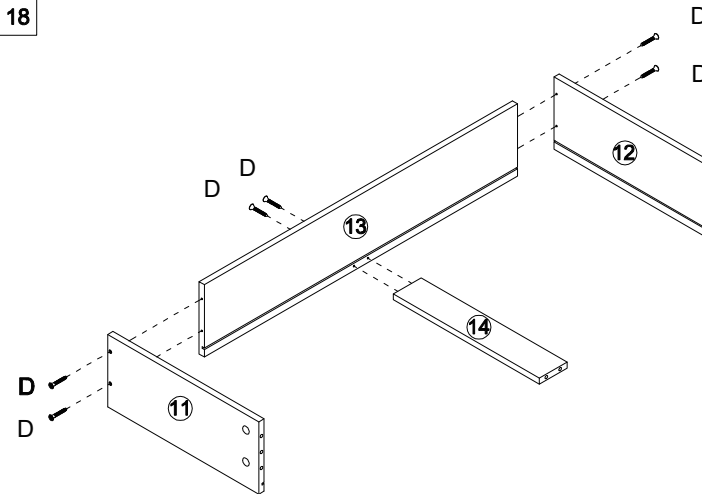
-  J x 8
-  K x 8
-  M x 2



Tool required
Philips Head Screw Driver
(Not Provided)

STEP 11 :

-  D x 18

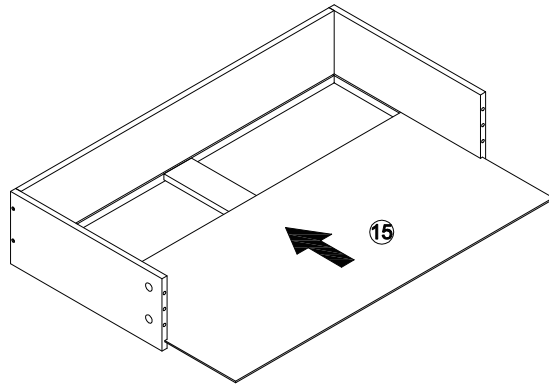


x 3



Tool required
Philips Head Screw Driver
(Not Provided)

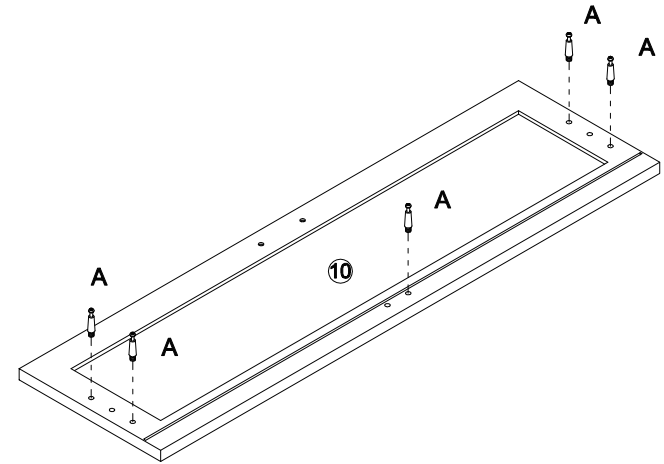
STEP 12:



x 3

STEP 13:

A x 15



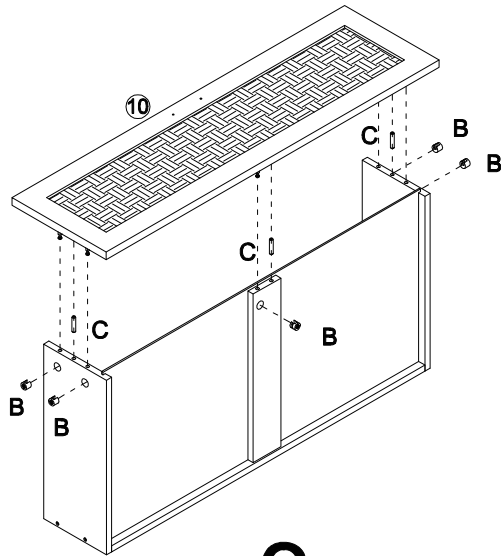
x 3

Tool required
Philips Head Screw Driver
(Not Provided)

STEP 14:

B x 15

C x 9



x 3

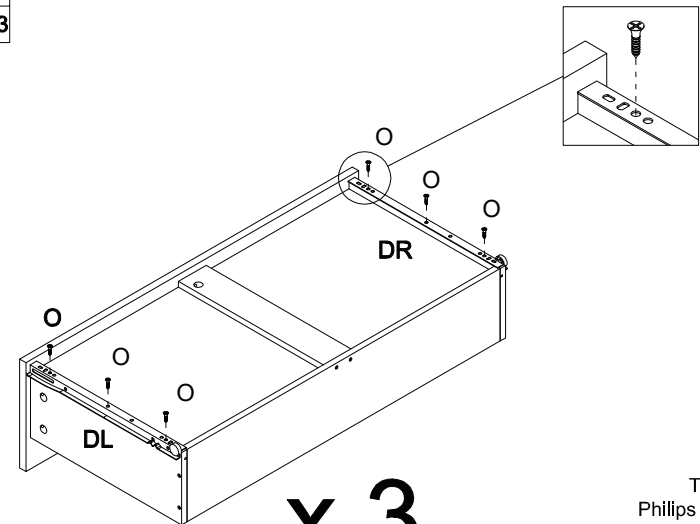
Tool required
Philips Head Screw Driver
(Not Provided)

STEP 15:

O x 18

DL x 3


DR x 3

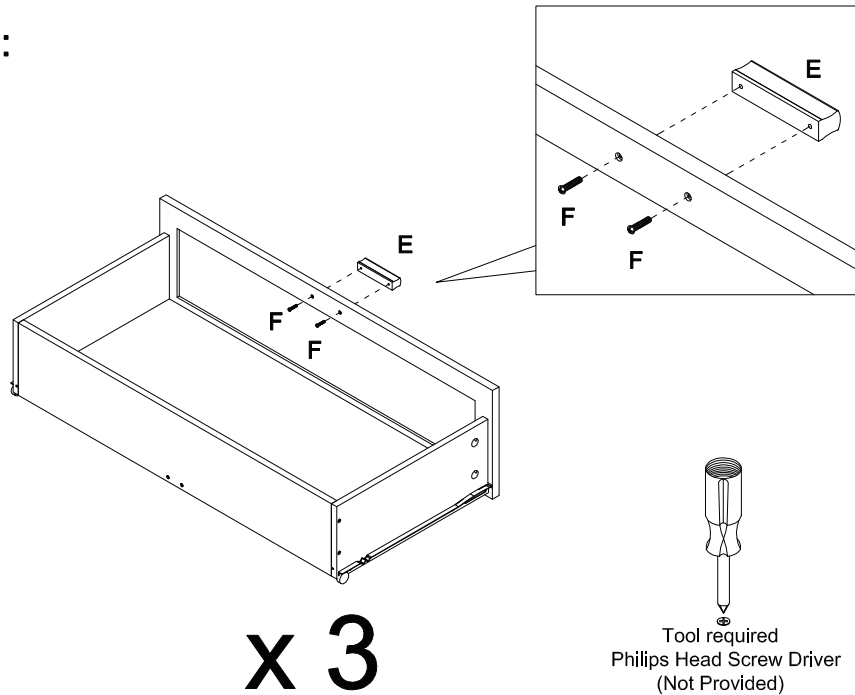


x 3

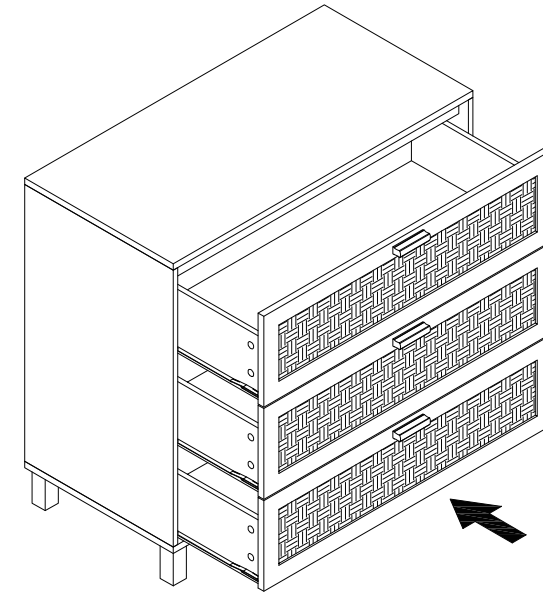
Tool required
Philips Head Screw Driver
(Not Provided)

STEP 16:

 E x 3
 F x 6

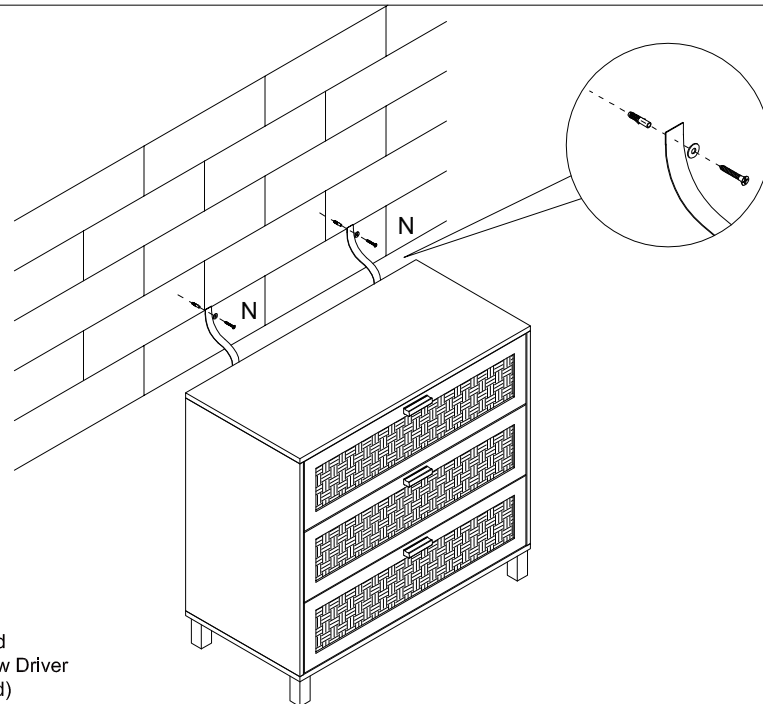


STEP 17:

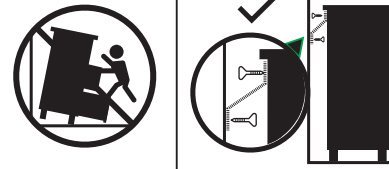


STEP 18:

 N x 2



⚠ WARNING



Children have died from furniture tipover.

- ALWAYS secure it with an anchor device.
- NEVER allow children to stand, climb or hang on drawers, doors, or shelves.
- NEVER open more than one drawer at a time.
- Place heavy items down low.

NEVER put a TV
 on this furniture



This is a permanent label. Do not remove!

TOPPLING FURNITURE WARNING:

- It is strongly recommended that this product is permanently fixed to the wall.
- Please seek professional advice if you are in doubt of what fixing device to use.
- Regularly check that anchors are securely maintained.
- Use safety drawer locks to prevent children climbing.
- Stability of tall items may be affected by thick pile carpet or uneven floors .
- Do not place unanchored televisions on furniture .

CAUTION: for your safety when attaching the anchor fixings, please note the following:

- Check any electrical wires or plumbing inside the wall before drilling any holes (if you are unsure please seek professional advice from a qualified tradesperson).



WARNING: PLEASE SECURE
 YOUR FURNITURE WITH
 THE SUPPLIED WALL FIXING.
 SCAN THE CODE FOR
 MORE INFORMATION.

