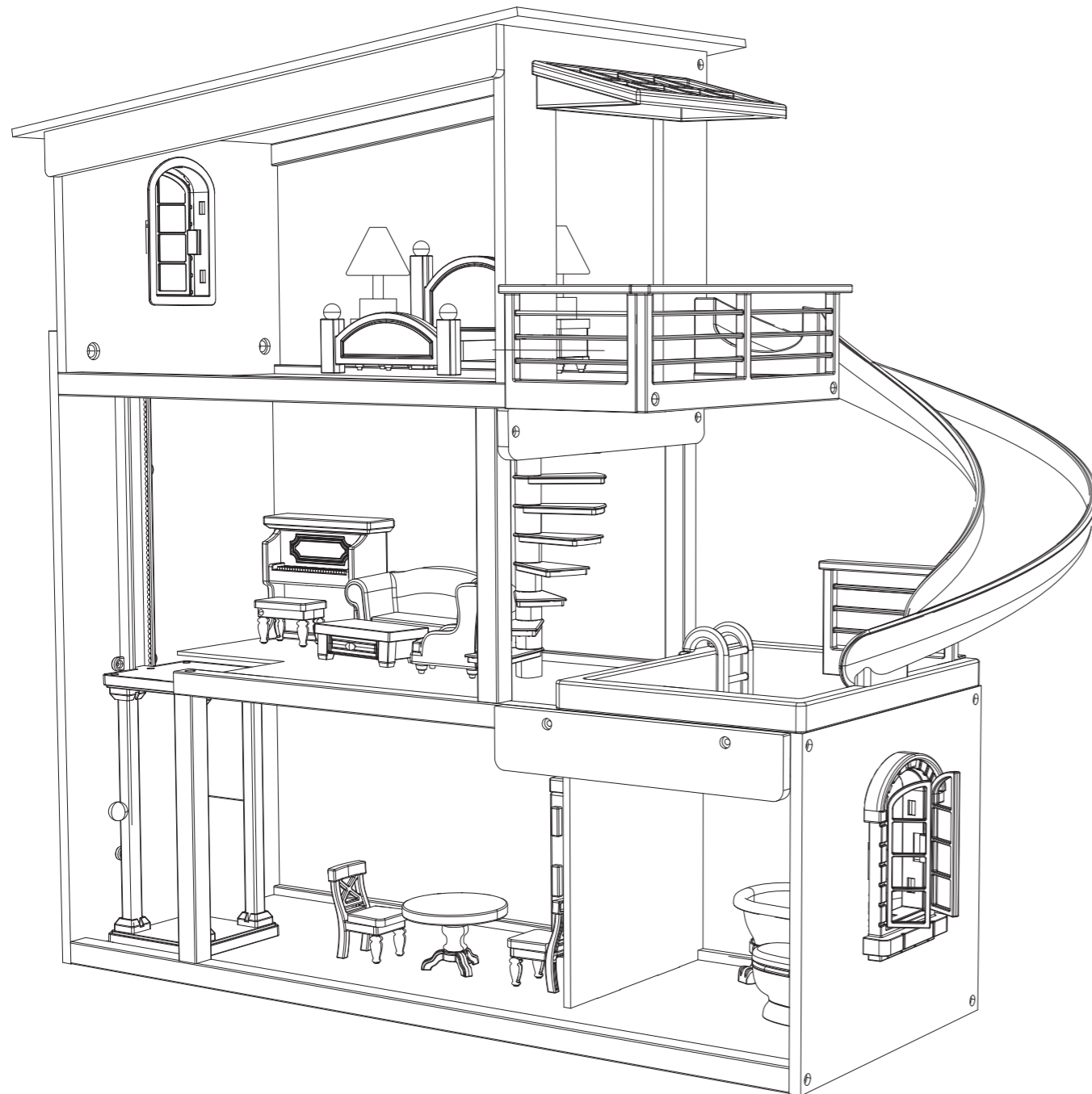
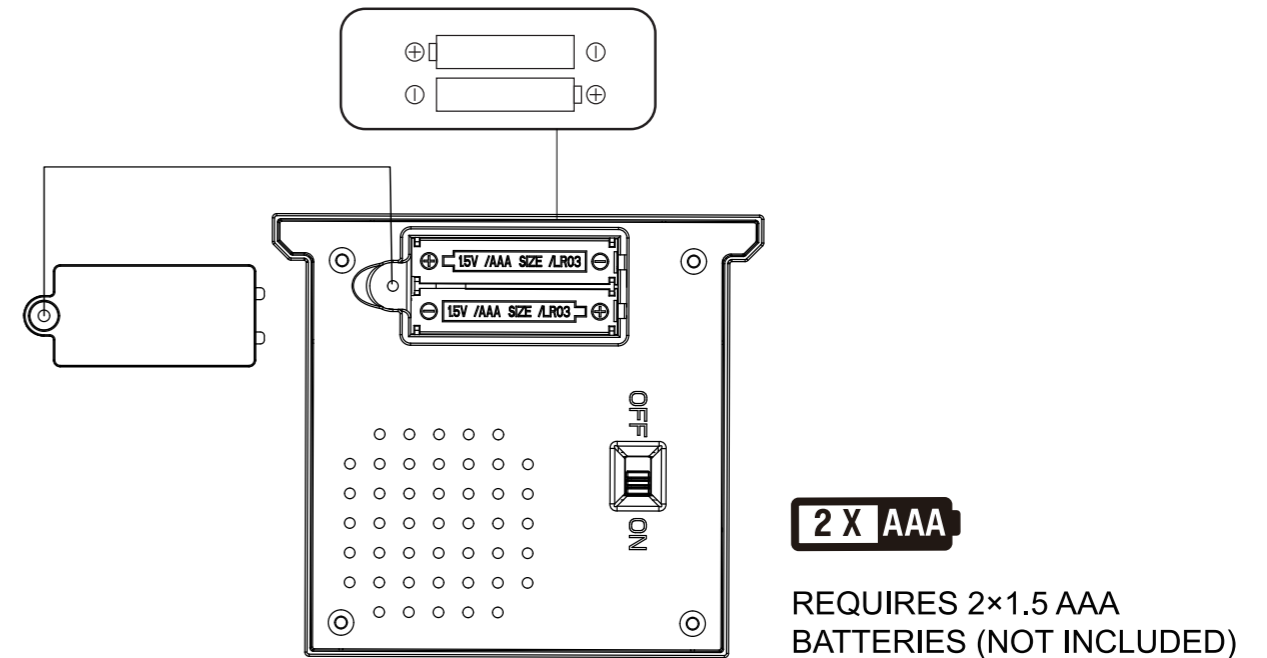


3+Years



1. Make sure the piano is switched off.
2. Remove the battery compartment cover underneath the device with a cross head screw-driver. (not provided)
3. Insert 2 x 1.5V AAA size batteries with correct polarity.
4. Replace the battery compartment cover and tighten the screws.



WARNING:

BATTERIES ARE TO BE INSERTED WITH THE CORRECT POLARITY (+ and -). DO NOT MIX DIFFERENT TYPES OF BATTERIES OR NEW AND USED BATTERIES. NON-RECHARGEABLE BATTERIES ARE NOT TO BE RECHARGED. RECHARGEABLE BATTERIES SHOULD BE CHARGED BY AN ADULT. RECHARGEABLE BATTERIES ARE TO BE REMOVED FROM THE TOY BEFORE BEING CHARGED. THE SUPPLY TERMINALS ARE NOT TO BE SHORT-CIRCUITED. REMOVE BATTERIES FROM THE TOY WHEN NOT IN USE FOR EXTENDED TIME OR WHEN BATTERIES BECOME EXHAUSTED. BATTERY INSTALLATION BY AN ADULT IS REQUIRED. DISPOSE OF BATTERIES RESPONSIBLY. DO NOT DISPOSE OF IN FIRE.

WARNING:

DISPOSE OF USED BATTERIES IMMEDIATELY. KEEP NEW AND USED BATTERIES AWAY FROM CHILDREN. IF YOU THINK BATTERIES MIGHT HAVE BEEN SWALLOWED OR PLACED INSIDE ANY PART OF THE BODY, SEEK IMMEDIATE MEDICAL ATTENTION.

CAUTION: ADULT ASSEMBLY AND SUPERVISION REQUIRED.

WARNING: UNASSEMBLED PARTS CONTAIN SCREWS WITH FUNCTIONAL SHARP POINTS. PLEASE KEEP UNASSEMBLED PARTS AWAY FROM SMALL CHILDREN.

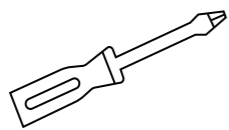
CAUTION: PLEASE CHECK CONDITION OF ITEM REGULARLY. AS SCREWS MAY LOOSEN WITH USE OVER TIME. TIGHTEN SCREW FITTINGS IF NECESSARY. STOP USING THIS PRODUCT IF THERE IS ANY LOOSE OR MISSING FASTENERS, JOINTS OR BROKEN PARTS.

WARNING: FOR SAFETY REASONS, REMOVE ALL TAGS, LABELS AND PLASTIC FASTENERS BEFORE GIVING THIS TOY TO YOUR CHILD. THIS IS A TOY, INTENDED FOR ROLE PLAY ONLY.

MADE IN CHINA

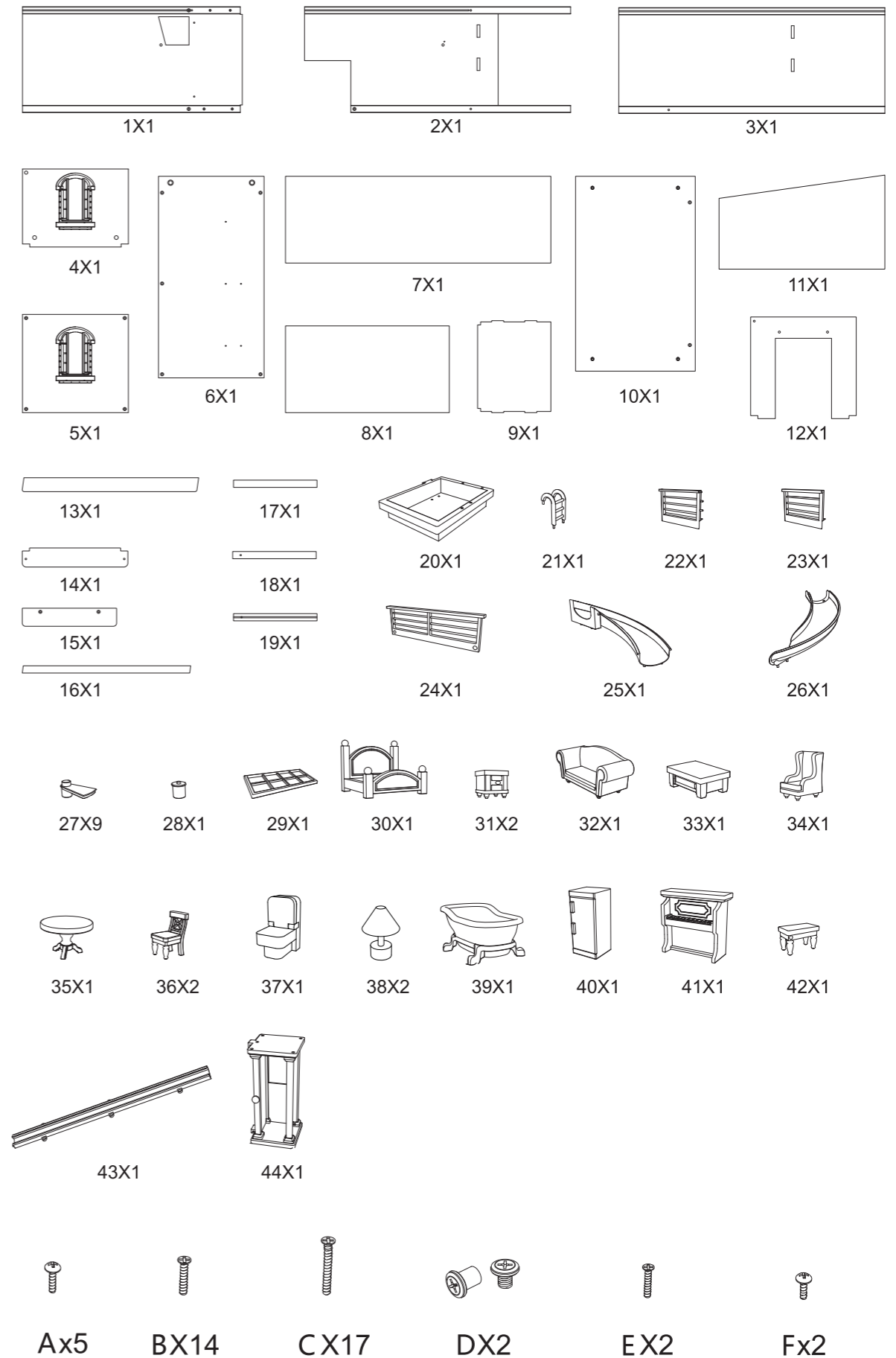
Read and follow instruction carefully and keep for future reference.

Tool required: Cross screwdriver.

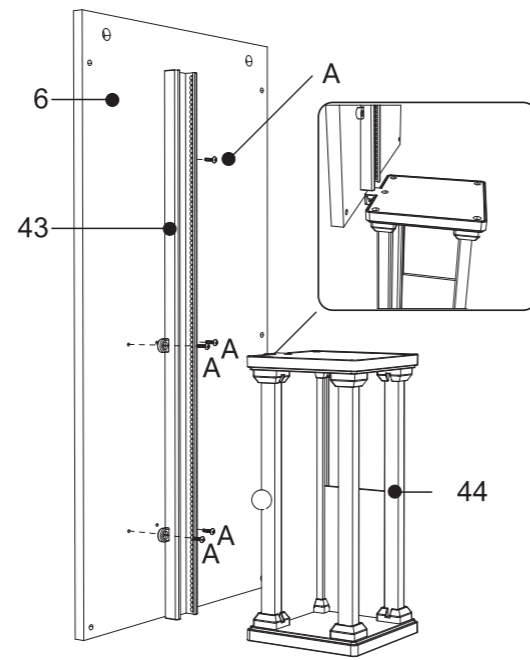


(not included)

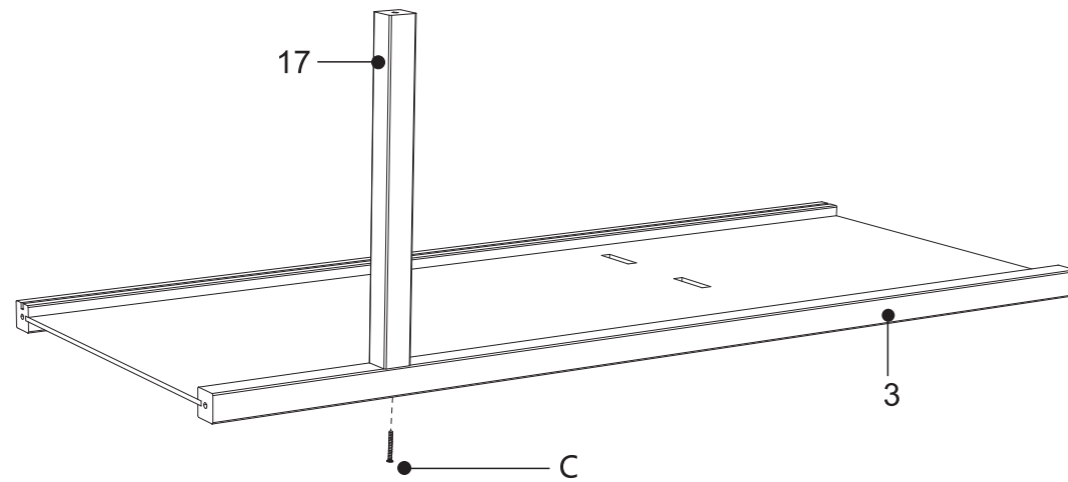
Parts list:



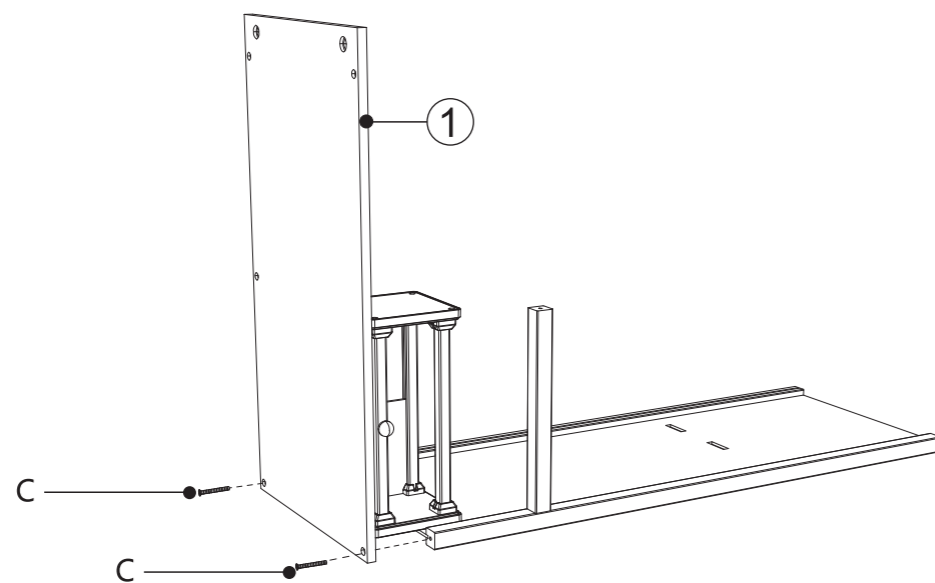
step 1



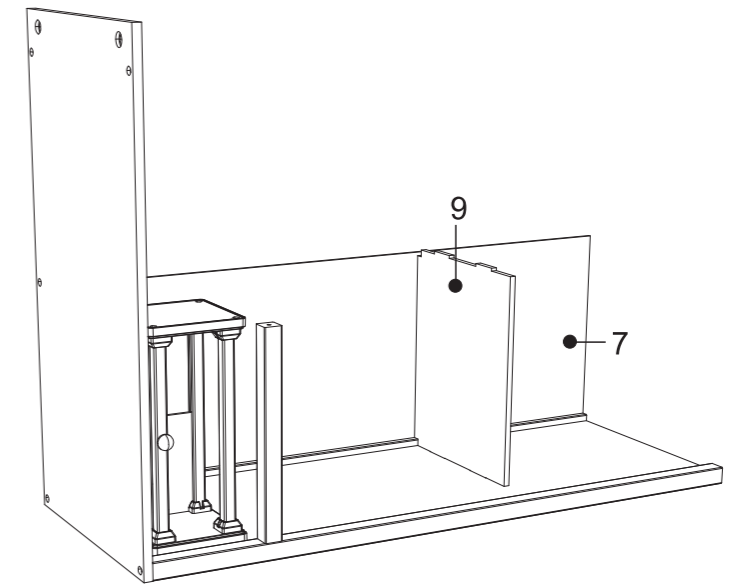
step 2



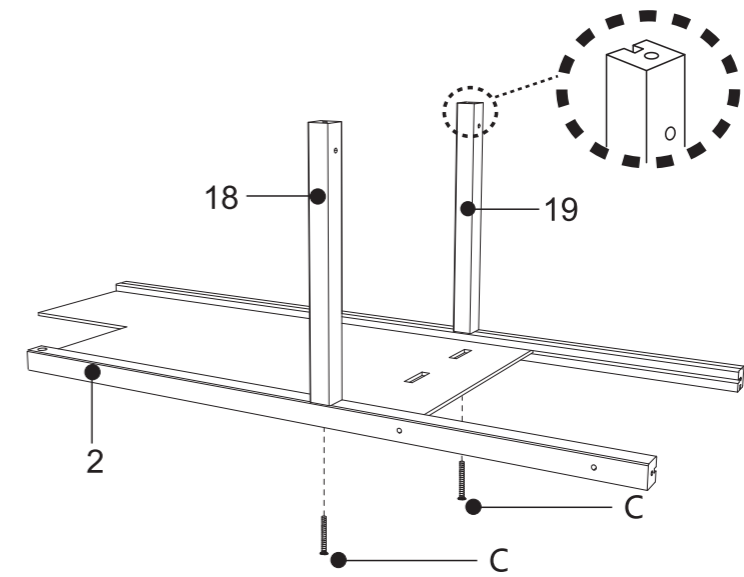
step 3



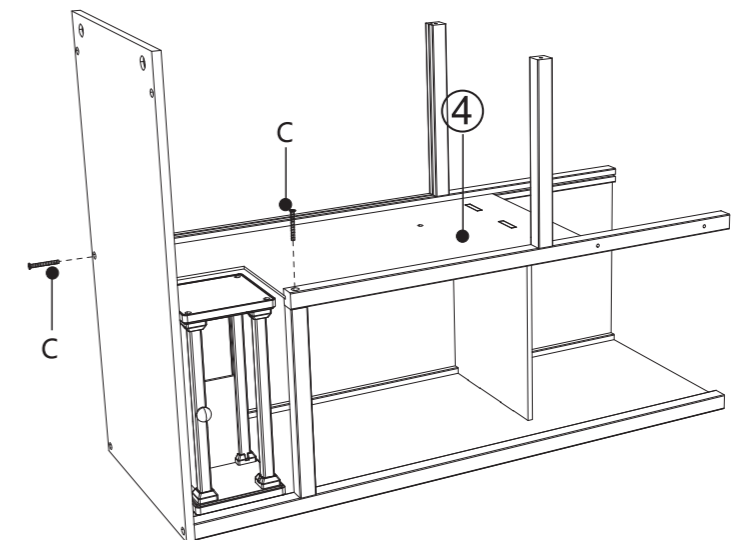
step 4



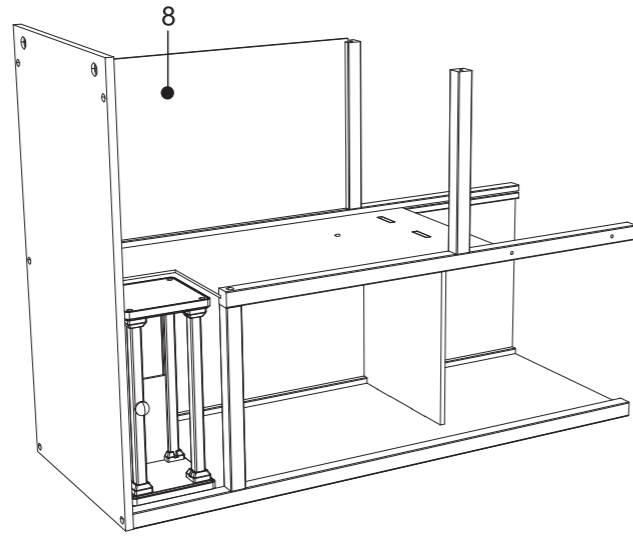
step 5



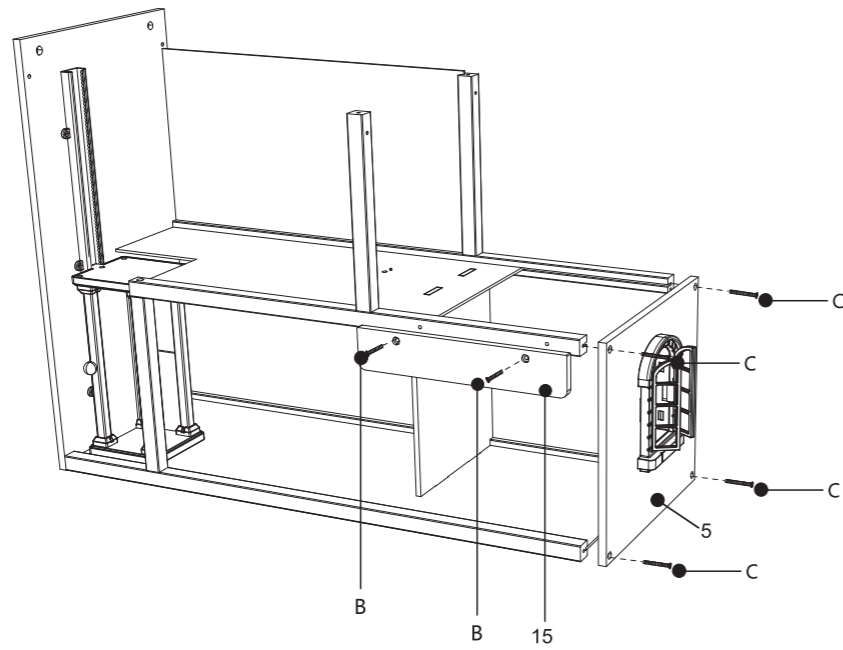
step 6



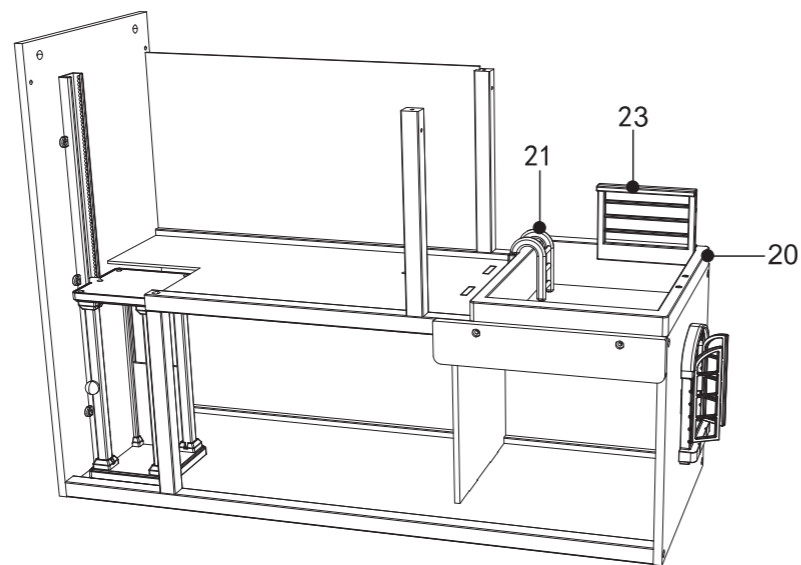
step 7



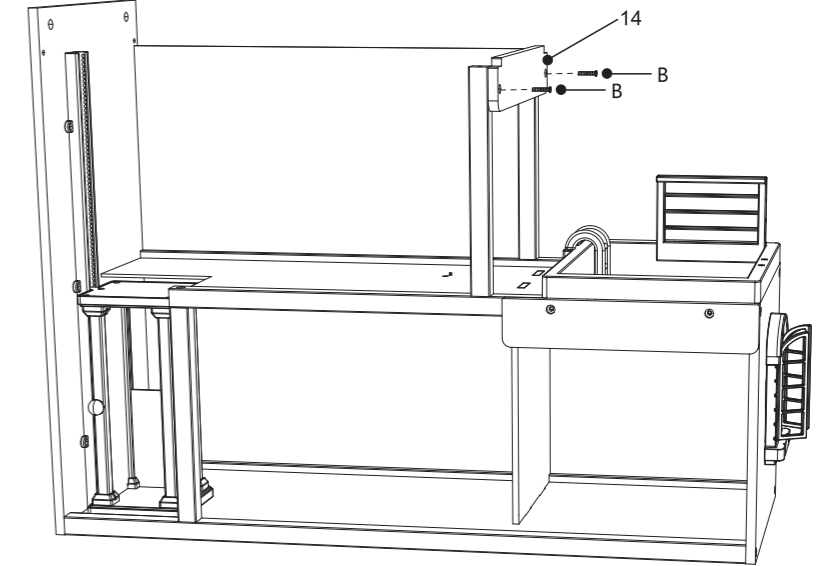
step 8



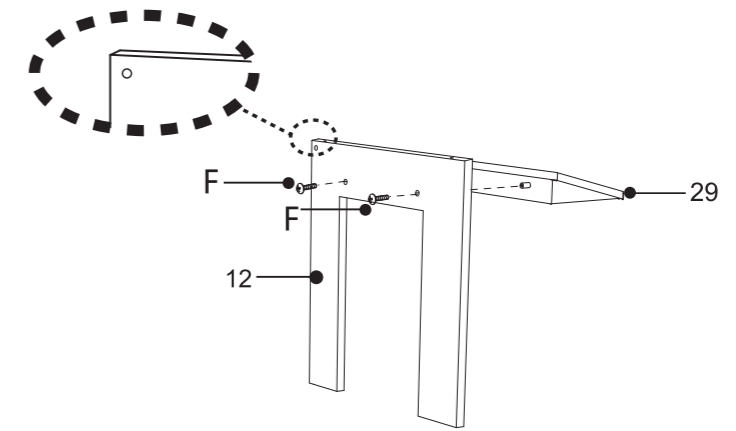
step 9



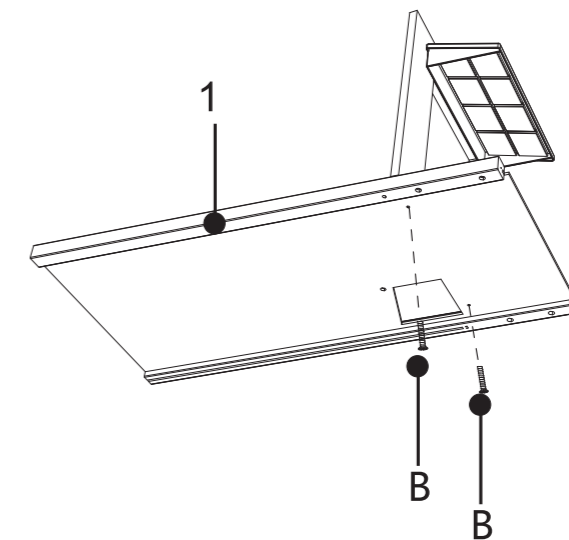
step 10



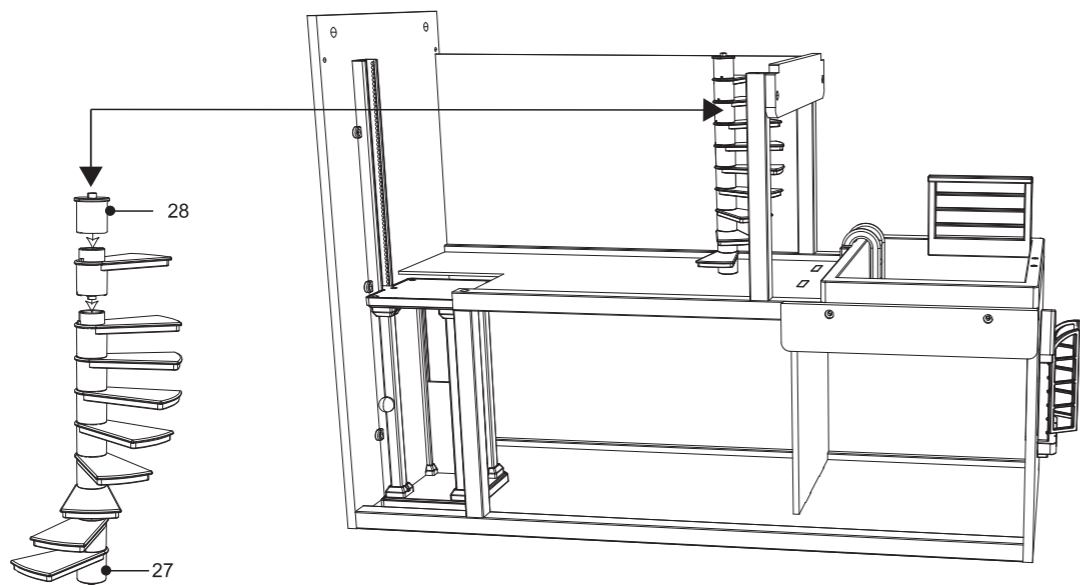
step 11



step 12

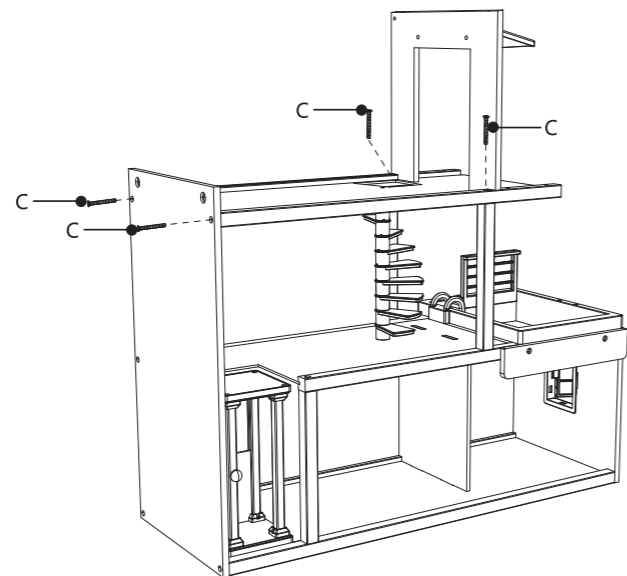


step 13

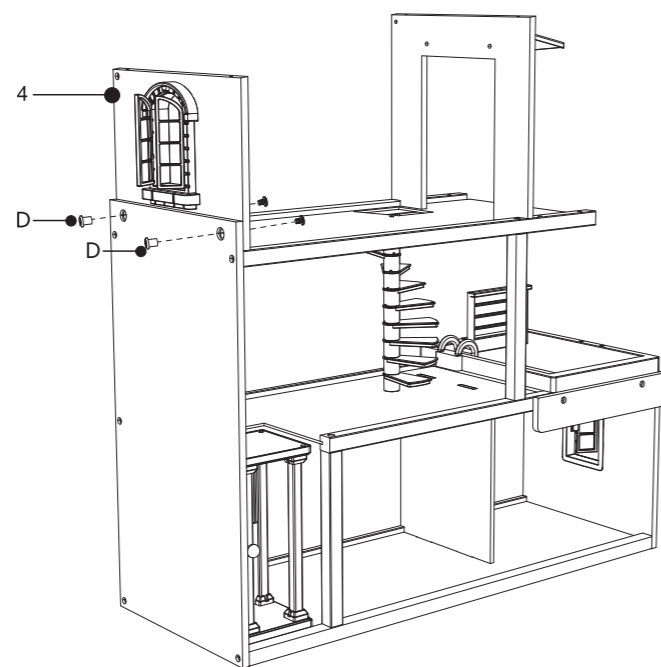


(Advance assembly)

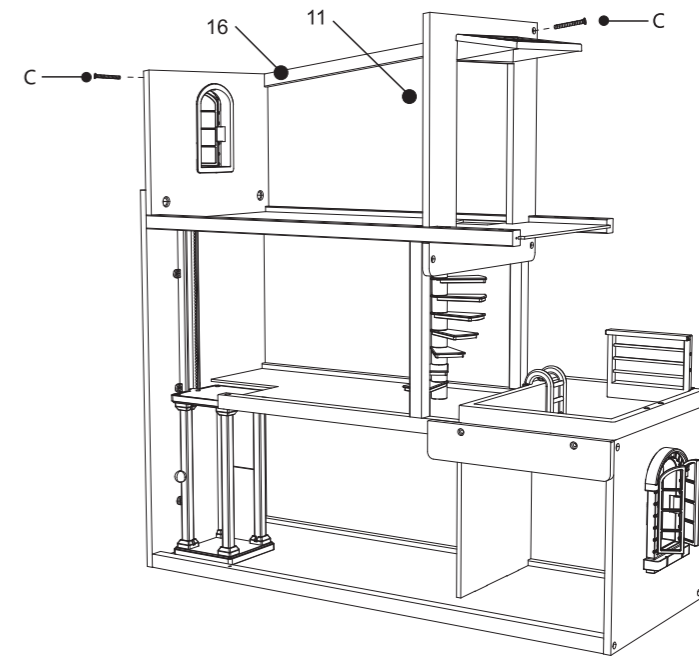
step 14



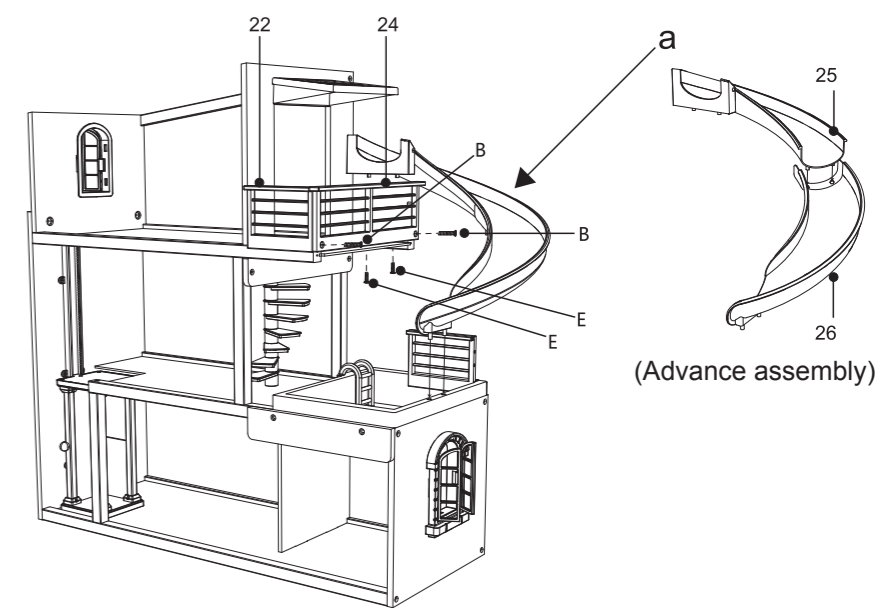
step 15



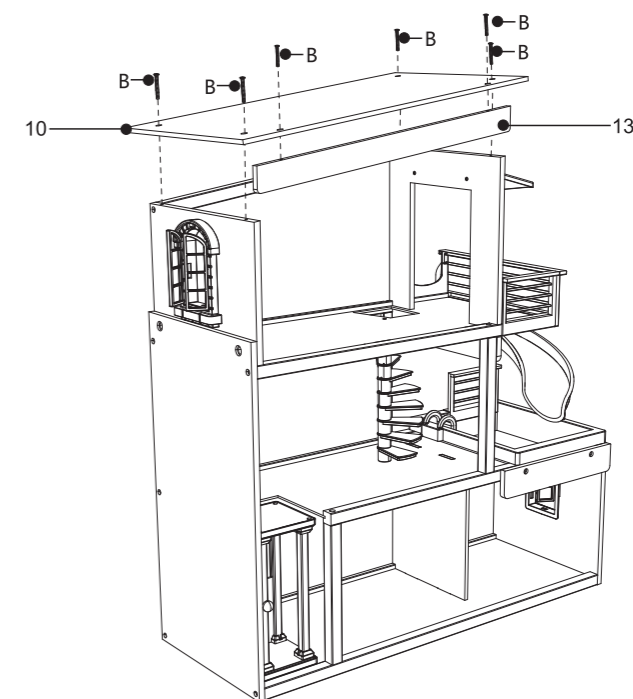
step 16



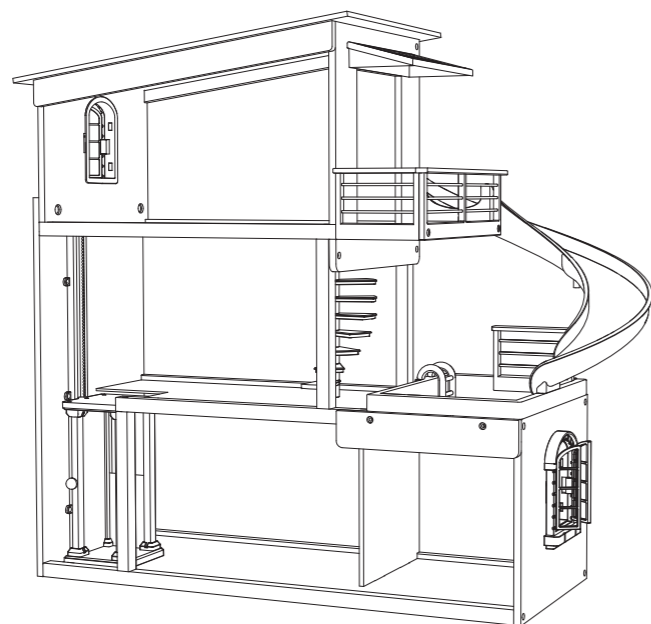
step 17



step 18



step 19



step 20

