

anko

Blender
KY-221A
User Manual



**PLEASE READ AND SAVE THESE
INSTRUCTIONS FOR FUTURE REFERENCE**

IMPORTANT SAFEGUARDS

When using the electrical appliance, the below basic safety precautions should be followed:

1. Read all instructions.
2. Before use check that the voltage power corresponds to the one shown on the rating label found on the appliance.
3. Do not let the supply cord hang over the edge of a table or counter.
4. **Do not leave the product unattended while it is in use, especially when children are present.**
5. Do not immerse power cord, plug, or product in water or other liquids. If the product falls into water, immediately disconnect from the mains power outlet. **Do not touch or reach into the water.**
6. Do not place on or near a hot gas or electric burner, or in a heated oven.
7. Never operate this product if it has a damaged Power Cord or plug, is not working properly, has been dropped or damaged, or if the Base has been exposed to water or other liquids. Do not attempt to examine or repair this product yourself. Any repairs to the product should be carried out by a qualified electrical person only or the product must be disposed.
8. Do not operate the appliance with a damage cord or plug or after the appliance malfunction or has been damaged in any manner.
9. If the supply cord is damaged, it must be replaced by qualified electrical person in order to avoid a hazard or the product must be disposed of.
10. This appliance is not intended for used by persons (including children) with reduced physical, sensory or mental capabilities, or lack of experience and knowledge, unless they have been given supervision or instructions concerning use of the appliances by a person responsible for their safety.
11. Children should be supervised to ensure that they do not play with the appliance.
12. Avoid contacting moving parts.
13. Blades are sharp, handle with care.
14. The use of any attachments not supplied with the product may cause fire, electric shock or injury.
15. To prevent damage to the blade and/or the electric motor the appliance must not be used for blending hard and dry substance.
16. Unplug from mains power outlet when not in use, before putting on or taking off parts, and before cleaning.
17. To protect against risk of electrical shock do not put the electric motor unit or power cord in water or other liquid.
18. Do not use outdoors.
19. Keep hands and utensils out of the blending jug while blending to reduce the risk of severe injury to persons or damage to the blender. A scraper may be used but must be used only when the blender is not running.
20. To reduce the risk of injury, never place the cutter-assembly blades on the base without attaching it to the jar properly.
21. Always operate the blender with the jar cover in place.

22. **Warning: never use hot liquids or run the appliance empty.**
23. Be care of potential injury from misuse.
24. Care must be taken when handling the sharp cutting blades, emptying the bowl and during cleaning.
25. Always disconnect the appliance from mains power if it is left unattended and before assembling, disassembling or cleaning.
26. Switch OFF the appliance and disconnect from mains power before changing accessories or approaching parts that move in use.
27. This appliance is intended to be used in household and similar applications such as:
 - Staff kitchen areas in shops, offices and other working environments;
 - Farmhouses;
 - By clients in hotels, motels and other residential type environments;
 - Bed and breakfast type environments.
28. For cleaning, please refer to “CLEANING AND MAINTENANCE” section.

WARNING! Do not blend hot liquids. To prevent scalding, DO NOT process boiling liquids or hot ingredients in the blender. Allow hot ingredients to cool down below 40°C before placing them in the blender.

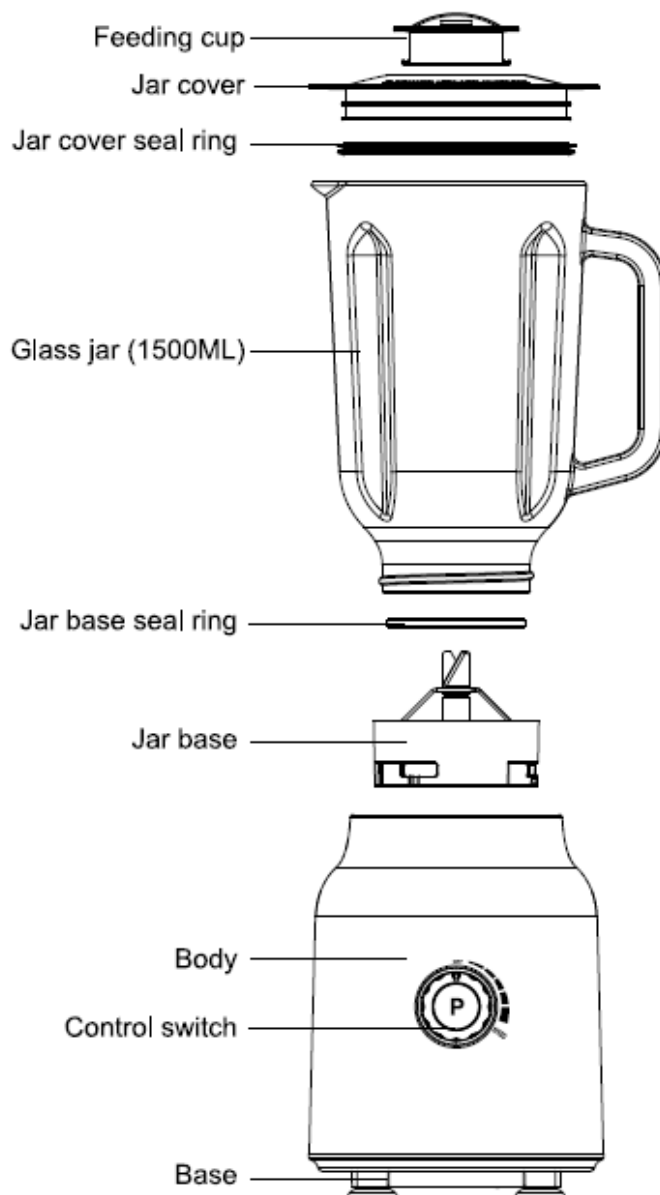
CAUTION: In order to avoid a hazard due to inadvertent resetting of the thermal cut-out, this appliance must not be supplied through an external switching device, such as a timer, or connected to a circuit that is regularly switched on and off by the utility.

IMPORTANT!

To prevent damage to the electric motor, the maximum operating time is 1 minute. Allow it to rest for at least 3 minutes before using it again. After 5 cycles of operation, allow the blender (electric motor) to cool down to room temperature. Allow it to cool down for approx. 30 minutes before using it again.

Note: The appliance incorporated with a non-self resetting thermal motor protection circuit to protect the motor from overheating. If the motor shuts OFF while in use, unplug the unit from main power outlet. Remove the blending jar from motor unit and free the blade of any obstructions. Allow the unit to cool down for at least 1 hour. After then, plug the unit back into mains power for normal operation.

KNOW YOUR BLENDER



Electrical Specification

Voltage	Frequency	Power	Function	Operating Time	Rest period	Max Capacity
220-240V	50-60Hz	400-450W	Pulse/Blend	1 minute	Min. 3 minutes	1500mL

BEFORE FIRST USE

1. Before first use, unpack the appliance and place all parts on a horizontal surface.
2. Ensure the **Speed Selector** is in the “OFF” Position, then plug into power outlet and set **Speed Selector** to your desired setting. You can press down on the “P” button without releasing if required to accelerate the process of blending.

NOTE: Make sure the jar cover is placed in position properly before operating, and never open the jar cover during operation.

3. Once all pieces have been cleaned and dried thoroughly, reassemble the jar.

CAUTION: The jar and jar base are now secured. To prevent damage, do not try to twist the jar and jar base onto motor unit.

OPERATION INSTRUCTIONS

1. Peel or core the food to be blended. Cut the carrot into small pieces.
2. Place the food to be blended into the jar. Add some purified water to facilitate the smooth running of the blender. The proportion of the food and water should be 2:3. The amount of mixture should not exceed the max. level mark as indicated on the jar.

NOTE: The blender will automatically turn off after 1 min of blending. User can only use pulse function after 1 min of blending or user need to turn knob back to OFF position before it can be used again.

NOTE: Never use boiling liquids or run the appliance empty.

3. Put the lid on the jar. Be sure the measuring cup is in place.
4. Plug the power cord into a mains power outlet socket.
5. Choose the appropriate speed setting for operation.
6. For quick or delicate blending tasks, press the “P” button. Operate several times until the consistency you want is obtained.
7. To do ice crush, press the “P” button for 2 sec and then release the button for 1 sec. Crush it for 20 cycles.

IMPORTANT! Use ice cubes with size approximately 2cm³ and total weight 150g about 22pcs MAX per cycle.

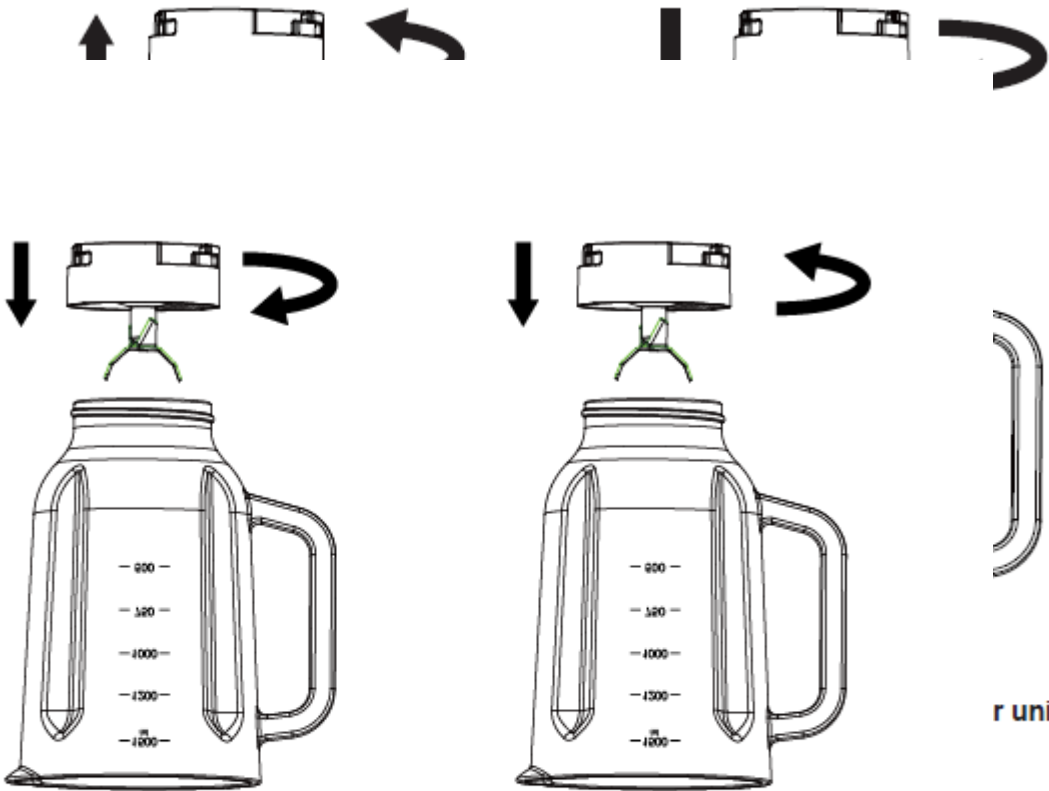
WARNING:

1. Never operate the appliance continuously for more than 1 minute per time.
2. Blades are very sharp. Handle with care.
3. Do not operate without the jar cover in place.
4. Do not attempt to disassemble the power base.
5. Do not use the product for mashing or grinding heavy foods (e.g., potatoes or meats) or to stir thick mixtures (e.g. dough).
6. Cleaning and user maintenance should not be made by children without competent adult supervision.

IMPORTANT! When blending maximum level load or hard fruits and vegetables, ensure that the speed selector is set at highest speed. If the speed used is too low, the motor will be damaged due to insufficient torque. When the motor speed is found to be too slow, you must immediately use a higher speed setting to blend or turn the speed selector to “OFF” to stop blending!

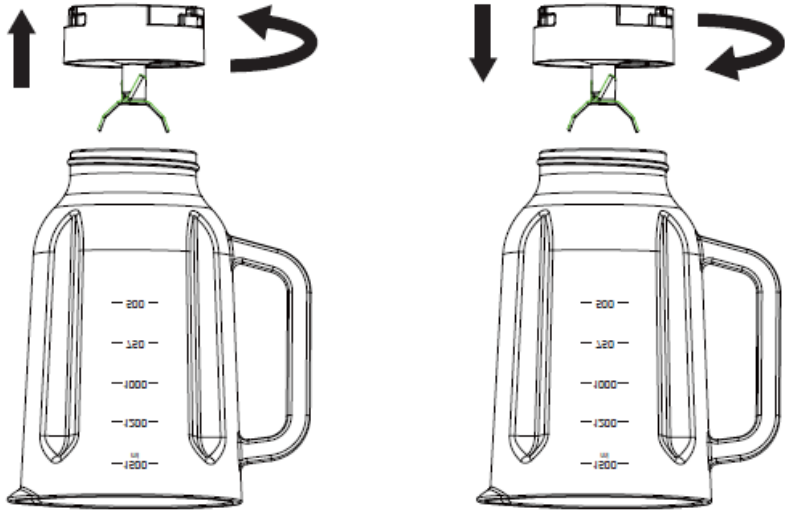
CLEANING AND MAINTENANCE

Me
 Qu
 To
 ha
 sw
 Go
 1.
 2.
 ru
 ou
 3.
 de
IN
fo
 4.



Detach the blade assembly from the jar assembly

Reassemble the blade



Detach the blade assembly from the jar unit by anti-clockwise direction

Reassemble the blade assembly to jar unit tightly by clockwise direction

STORAGE

1. Unplug and clean unit.
2. Ensure all parts are properly dried.
3. Store in original box or in a clean, dry place.
4. Never store the blender while it is hot or whilst connected to mains power.
5. Never wrap the cord tightly around the product. Never place any stress on the cord, especially where the cord enters the unit, as this could cause the cord to fray and break.

TECHNICAL SPECIFICATION

Voltage: 220-240V~ 50-60Hz

Power: 400-450W

Jar Max. Capacity: 1500mL

12 Month Warranty

Thank you for your purchase.

Your new product is warranted to be free from defects in materials and workmanship for the period stated above, from the date of purchase, provided that the product is used in accordance with accompanying recommendations or instructions where provided. This warranty is in addition to your rights under the Australian Consumer Law.

For New Zealand customers, this warranty is in addition to statutory rights observed under New Zealand legislation.

We will provide you with your choice of a refund, repair (where possible) or exchange (availability dependent) for this product if it becomes defective within the warranty period. The business will bear the reasonable expense of claiming the warranty.

This warranty will no longer apply where the defect is a result of alteration, accident, misuse, abuse or neglect.

Please retain your receipt as proof of purchase and contact our Customer Service Centre as listed below, for the entity you purchased this product from, for any difficulties with your product. Warranty claims and claims for expense incurred in returning this product can be addressed to the respective Customer Service Centre.

Our goods come with guarantees that cannot be excluded under the Australian Consumer Law. You are entitled to a replacement or refund for a major failure and compensation for any other reasonably foreseeable loss or damage. You are also entitled to have the goods repaired or replaced if the goods fail to be of acceptable quality and the failure does not amount to a major failure.

Contact for Kmart purchases	Contact for Target purchases
Kmart Australia Ltd. C/- Customer Service Centre 690 Springvale Road, Mulgrave Vic 3170 Customer Service: 1800 124 125 (Australia) or 0800 945 995 (New Zealand) or via Customer Help at kmart.com.au	Target Australia Pty Ltd C/- Customer Service Centre 2 Kendall Street, Williams Landing, Vic, 3027 Customer Service: 1300 753 567 or via Customer Help at target.com.au/help/contact-us