

# Assembly Instructions

## 43500208 ADDISON HALL TABLE

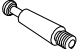












**WARNING:** DO NOT STAND, SIT OR LEAN ON THIS UNIT. DO NOT USE THIS UNIT AS A STEP LADDER OR AS A CHOPPING SURFACE. KEEP AWAY FROM CHILDREN AND BABIES. ADULT ASSEMBLY REQUIRED. USE ONLY ON A FLAT SURFACE. DO NOT USE THIS UNIT UNLESS ALL BOLTS AND SCREWS ARE FIRMLY SECURED.


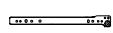


**CARE INSTRUCTIONS:** TO BE ASSEMBLED ON A CLEAN, DRY AND SMOOTH SURFACE. WIPE CLEAN WITH A SOFT DAMP CLOTH. NEVER USE SCOURERS, ABRASIVES OR CHEMICAL SOLVENTS. CHECK AND TIGHTEN ALL PARTS REGULARLY. KEEP AWAY FROM MOISTURE AND DIRECT SUNLIGHT. STORE IN A DRY PLACE. FOR INDOOR AND DOMESTIC USE ONLY.

**MAXIMUM SAFE LOAD:15KG FOR TOP PANEL, 5KG FOR EACH DRAWER.**

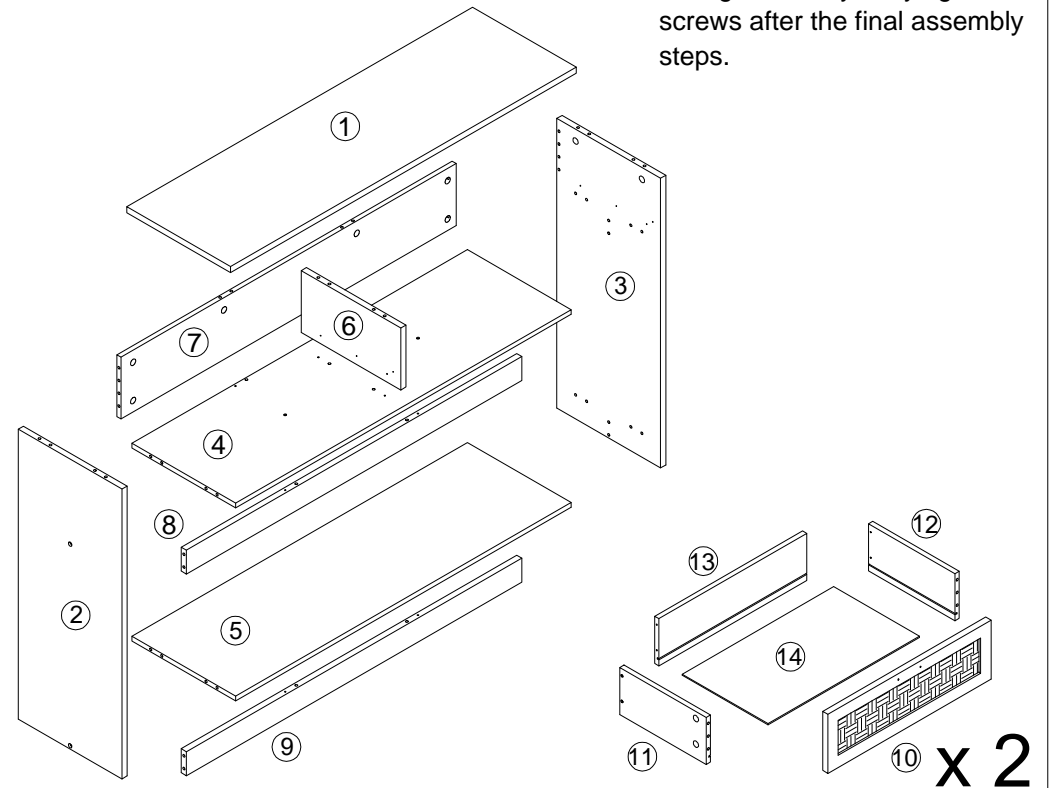
①

### Hardware List

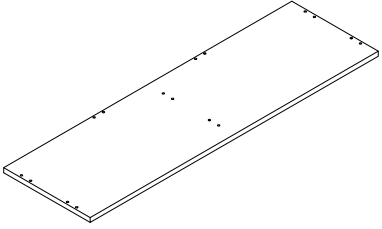
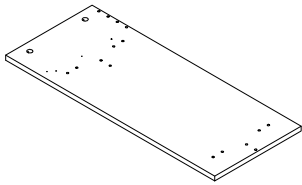
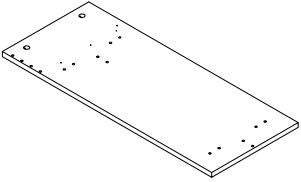
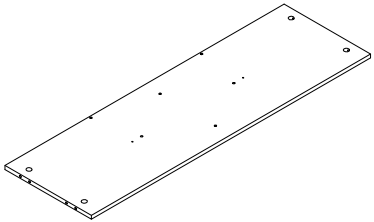
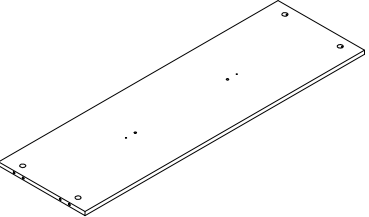
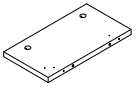
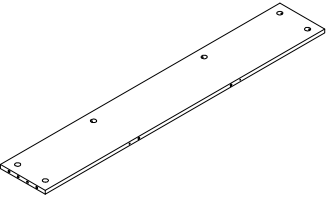
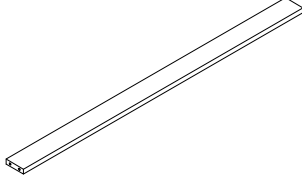
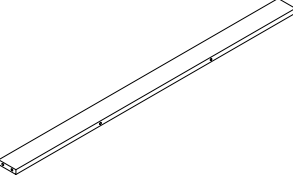
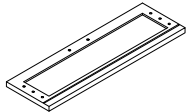
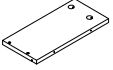
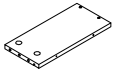
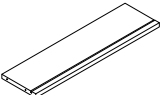
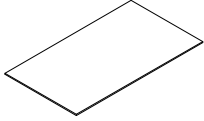
|   |          |           |       |
|---|----------|-----------|-------|
|    | <b>A</b> | M6x35mm   | 28pcs |
|    | <b>B</b> | Ø15x9.5mm | 28pcs |
|    | <b>C</b> | Ø6x30mm   | 36pcs |
|    | <b>D</b> | M4x35mm   | 14pcs |
|    | <b>E</b> |           | 2pcs  |
|    | <b>F</b> | M4x18mm   | 4pcs  |
|  | <b>G</b> | M7x50mm   | 4pcs  |
|  | <b>H</b> | M4x55mm   | 2pcs  |
|  | <b>I</b> |           | 1pc   |
|  | <b>J</b> | M3x12mm   | 28pcs |
|  | <b>K</b> |           | 2pcs  |
|  | <b>L</b> |           | 2pcs  |
|  | <b>M</b> |           | 4pcs  |

|   |           |  |      |
|---|-----------|--|------|
|  | <b>CL</b> |  | 2pcs |
|  | <b>CR</b> |  | 2pcs |
|  | <b>DL</b> |  | 2pcs |
|  | <b>DR</b> |  | 2pcs |

②

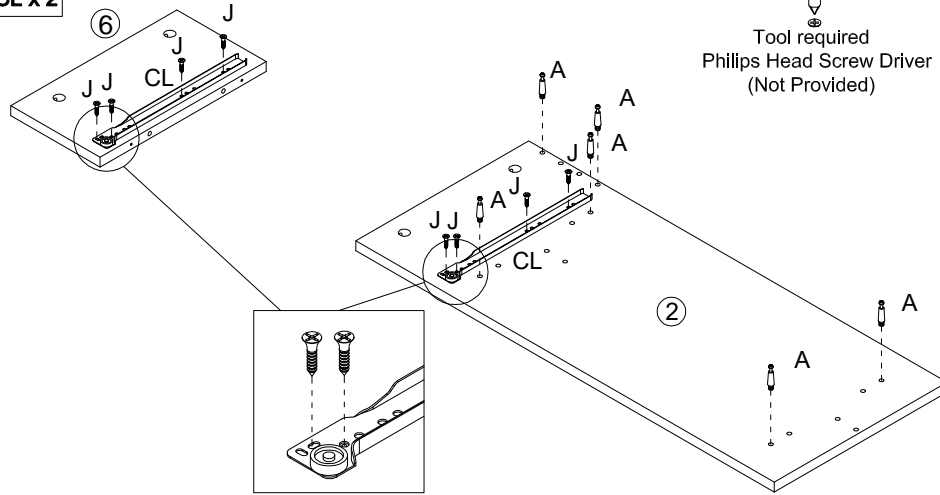


3

|   |   |   |   |
|---|---|---|---|
|    |   |  |  |
| ① 1PC   | ② 1PC   | ③ 1PC   | ④ 1PC   |
|    |    |  |  |
| ⑤ 1PC   | ⑥ 1PC   | ⑦ 1PC   | ⑧ 1PC   |
|   |   |  |  |
| ⑨ 1PC   | ⑩ 1PC   | ⑪ 2PCS  | ⑫ 2PCS  |
|  |  |   |   |
| ⑬ 2PCS  | ⑭ 2PCS  |   |   |

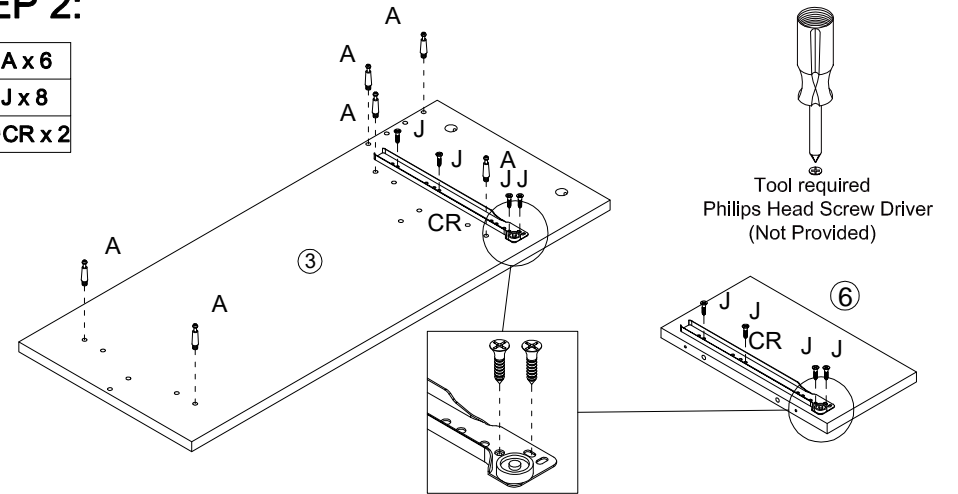
### STEP 1:

- A x 6
- J x 8
- CL x 2



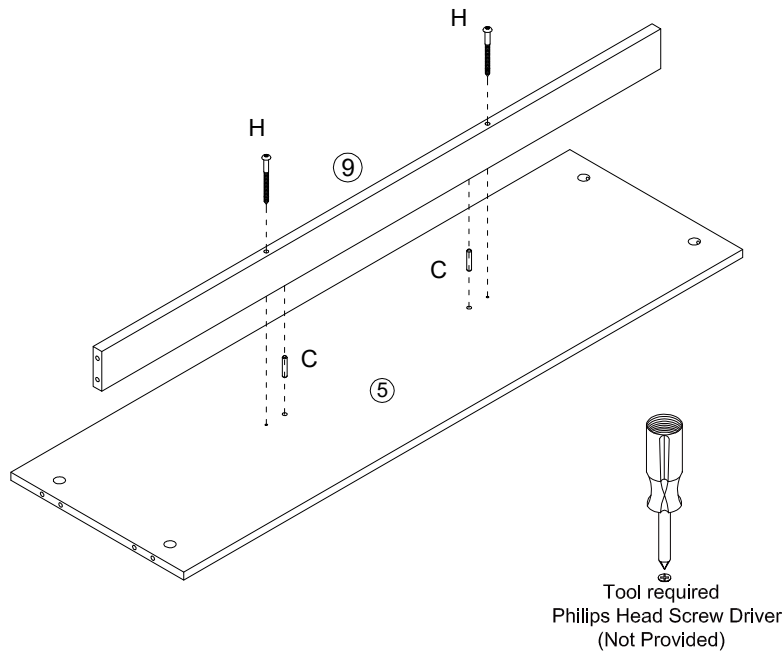
### STEP 2:

- A x 6
- J x 8
- CR x 2



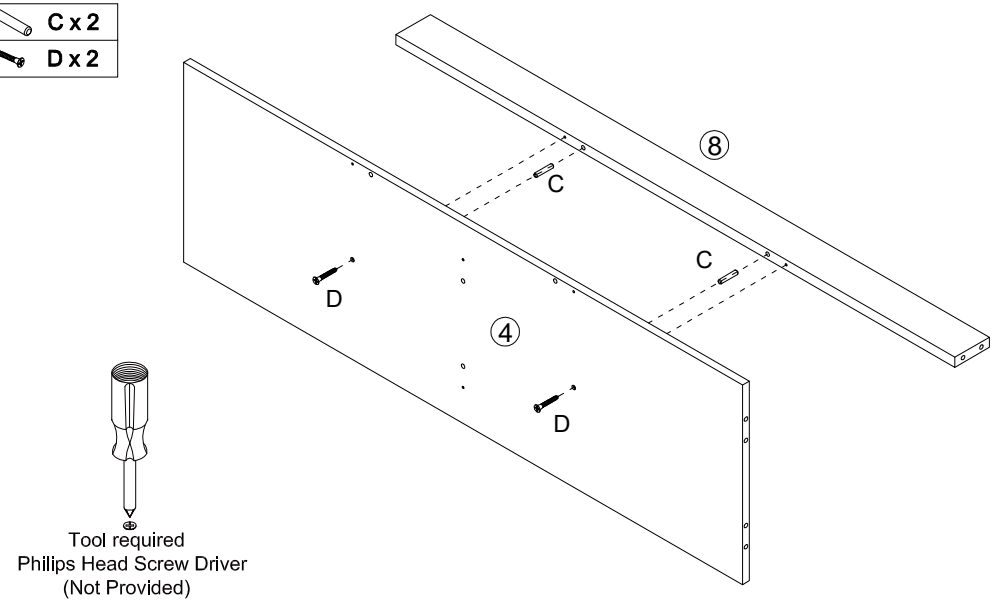
### STEP 3:

- C x 2
- H x 2



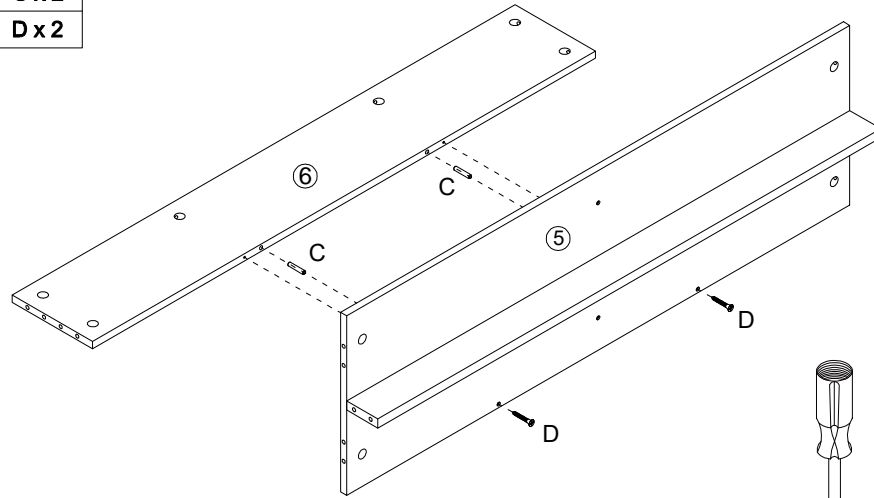
### STEP 4:

- C x 2
- D x 2



### STEP 5:

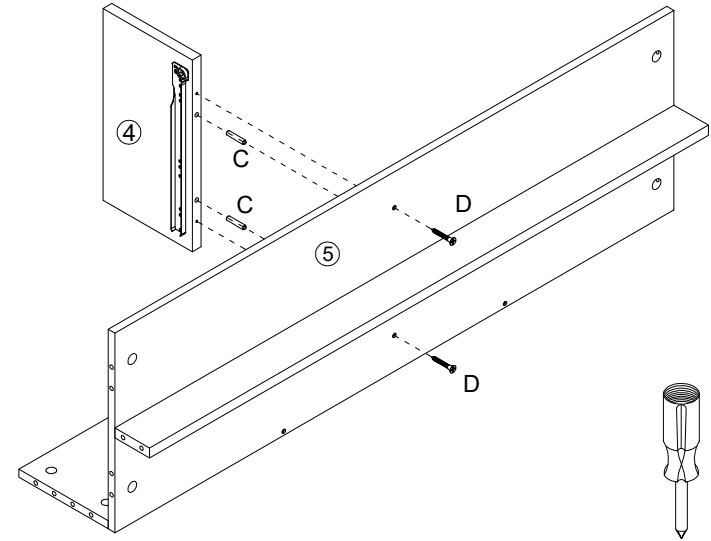
- C x 2
- D x 2



Tool required  
Phillips Head Screw Driver  
(Not Provided)

### STEP 6:

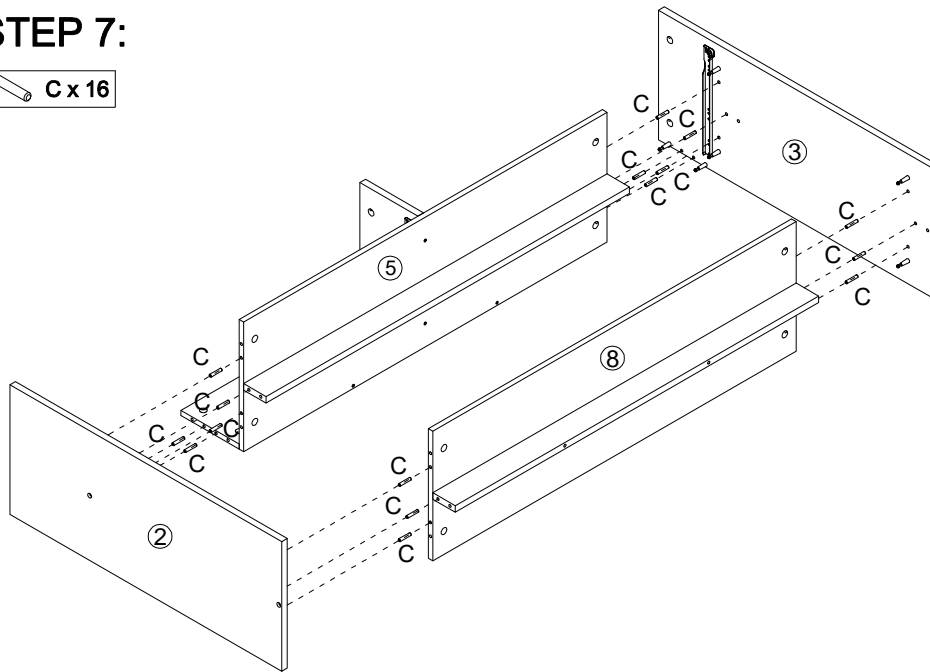
- C x 2
- D x 2



Tool required  
Phillips Head Screw Driver  
(Not Provided)

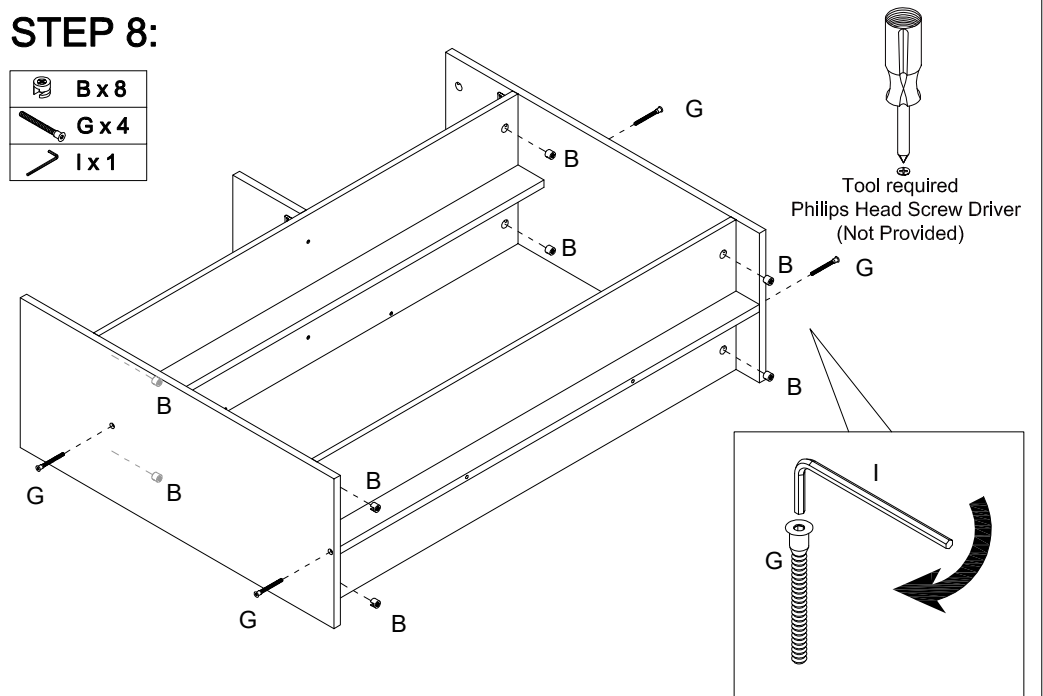
### STEP 7:

- C x 16



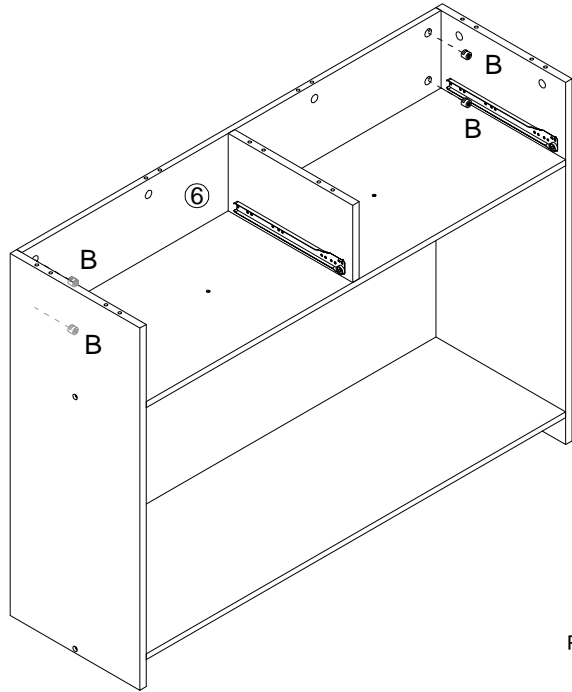
### STEP 8:

- B x 8
- G x 4
- I x 1



### STEP 9:

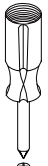
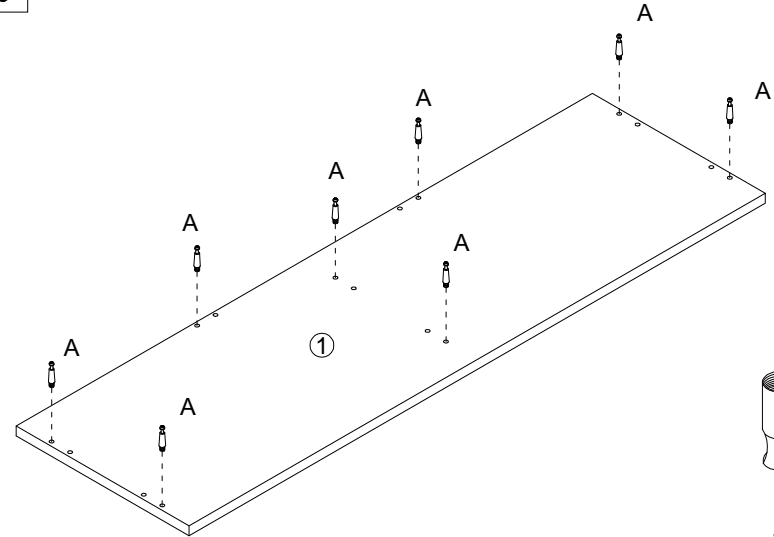
 B x 4



Tool required  
Phillips Head Screw Driver  
(Not Provided)

### STEP 10:


 A x 8

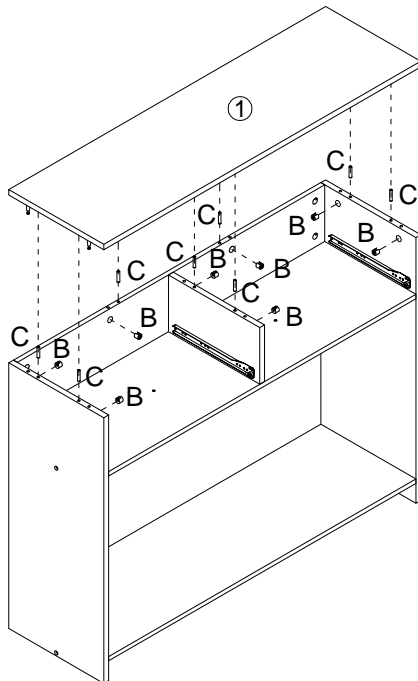


Tool required  
Phillips Head Screw Driver  
(Not Provided)

### STEP 11:

 B x 8

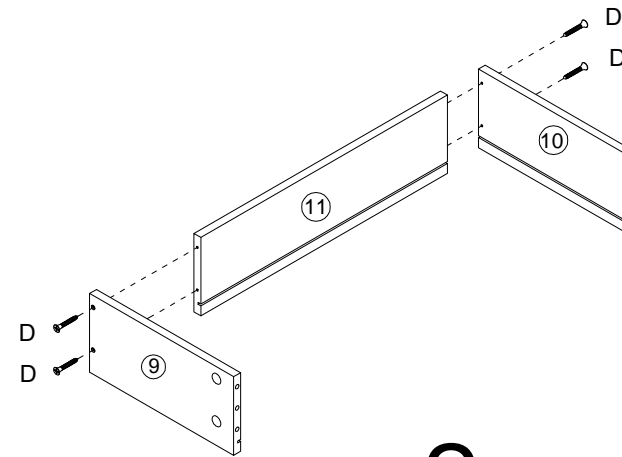
 C x 8



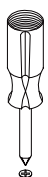
Tool required  
Phillips Head Screw Driver  
(Not Provided)

### STEP 12:

 D x 8

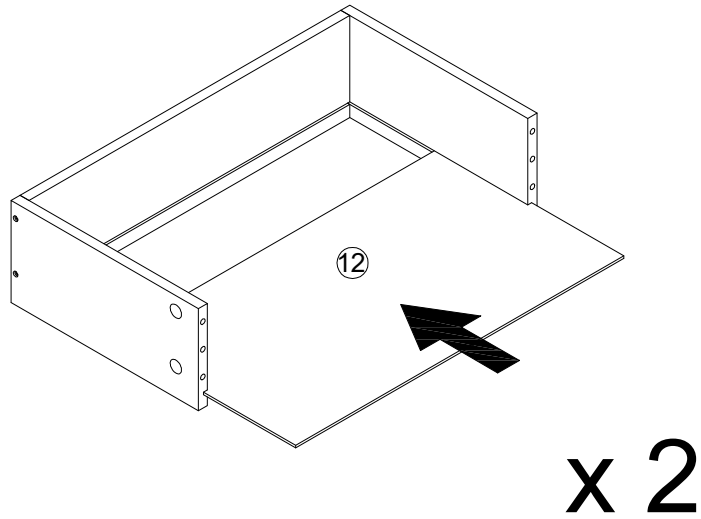


x 2



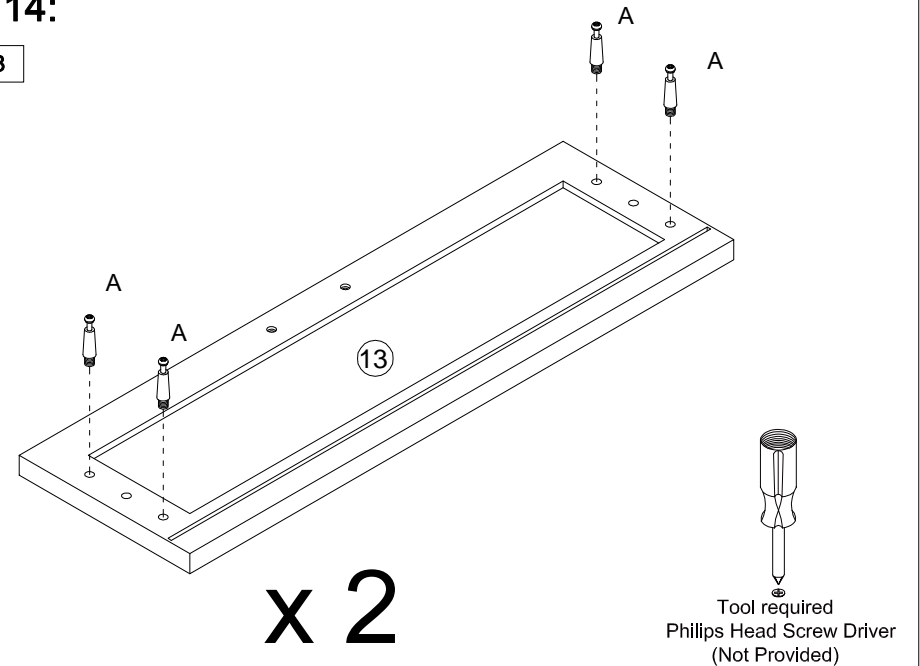
Tool required  
Phillips Head Screw Driver  
(Not Provided)

### STEP 13:



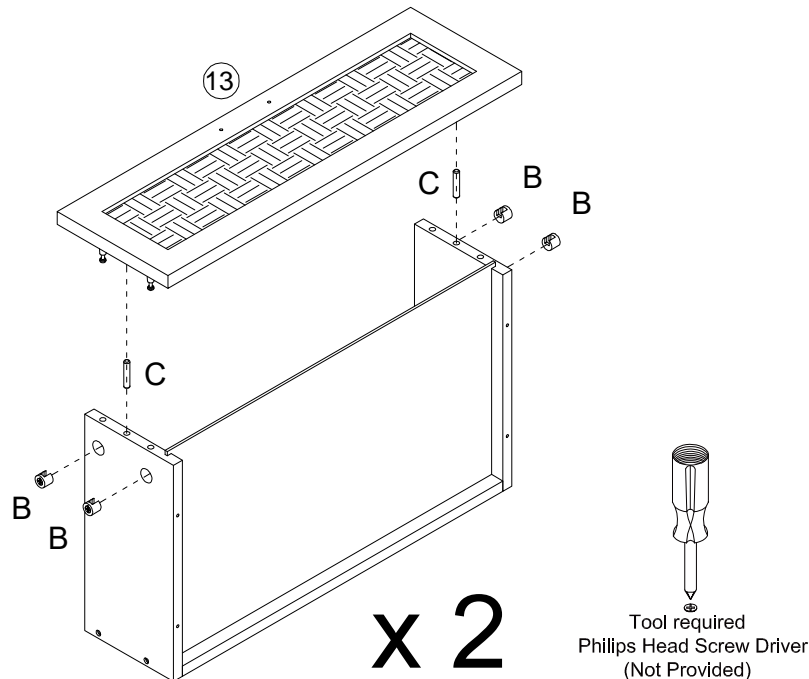
### STEP 14:

**A x 8**



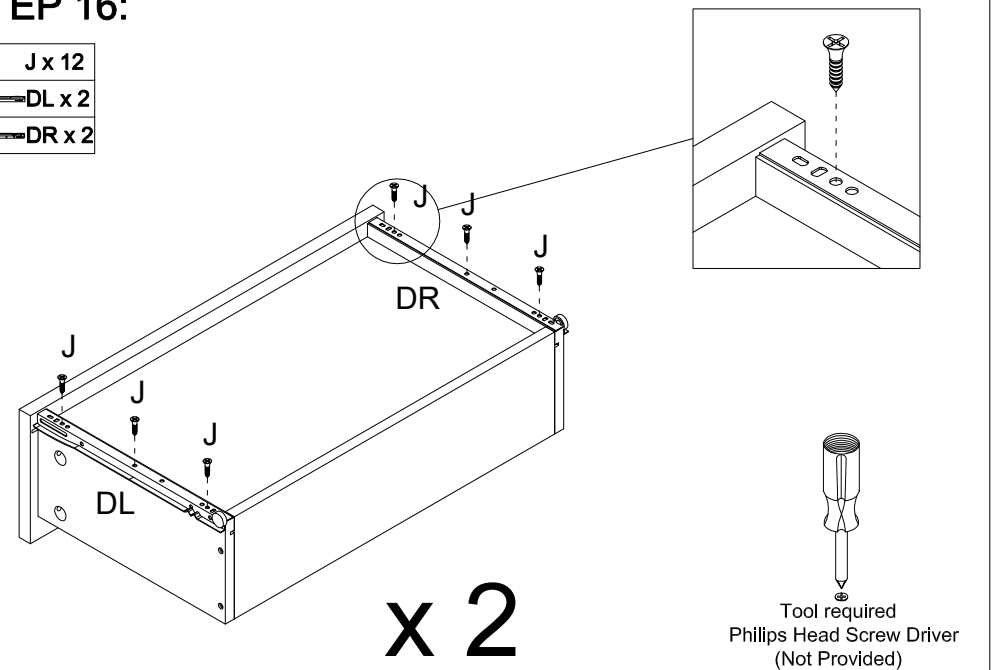
### STEP 15:

**B x 8**  
**C x 4**



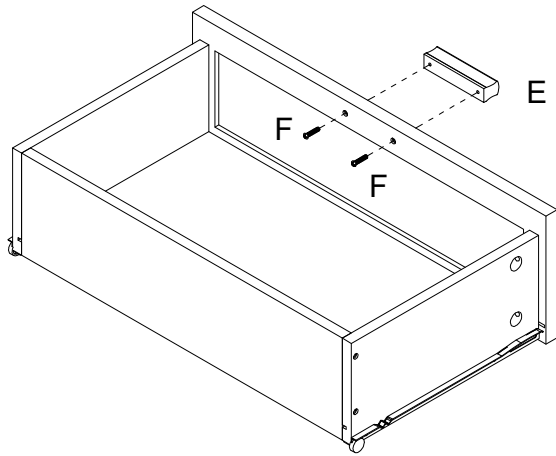
### STEP 16:

**J x 12**  
**DL x 2**  
**DR x 2**



### STEP 17:

-  E x 2
-  F x 4

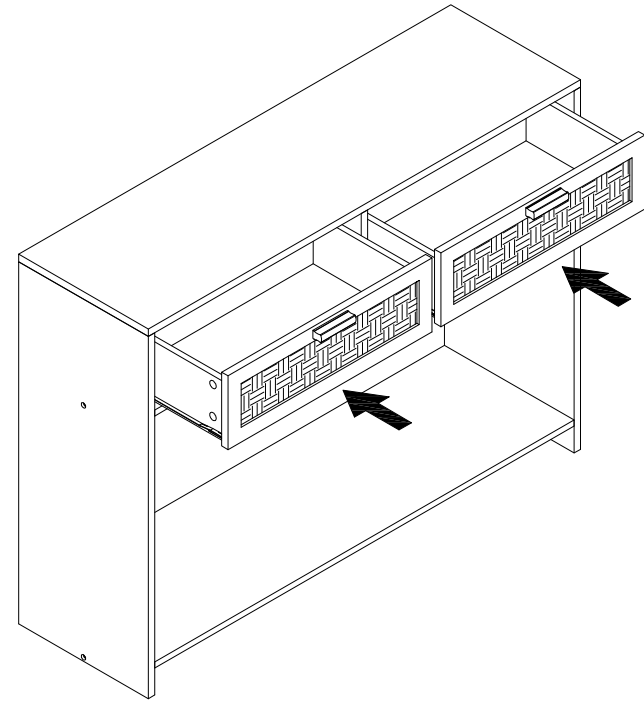


x 2



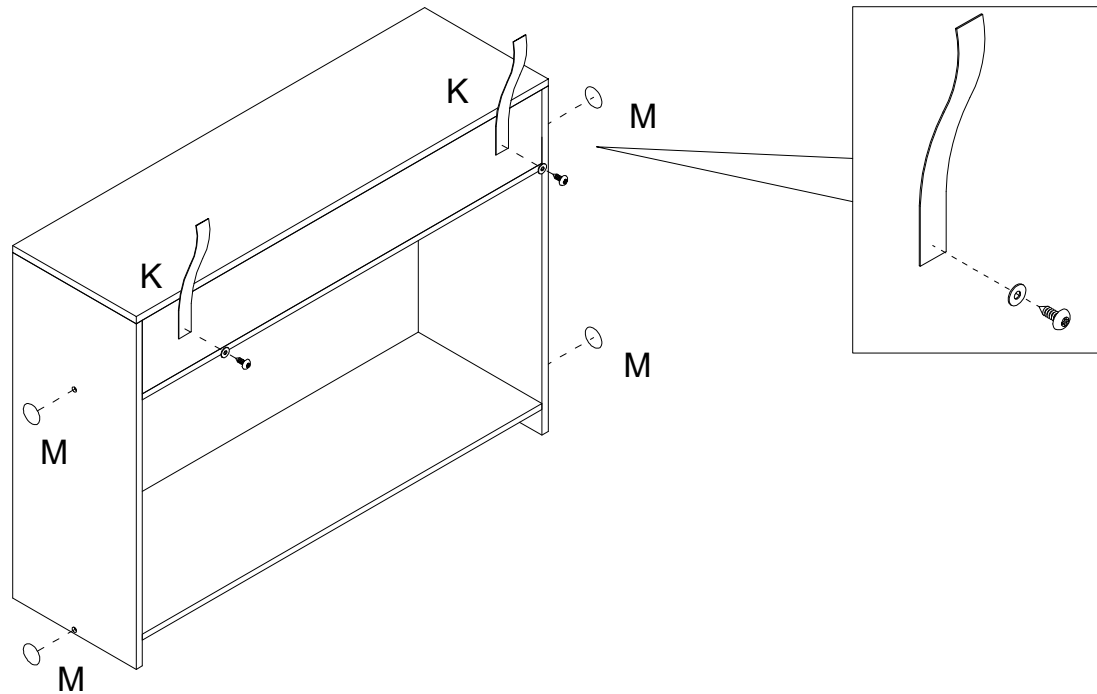
Tool required  
Phillips Head Screw Driver  
(Not Provided)

### STEP 18:



### STEP 19:

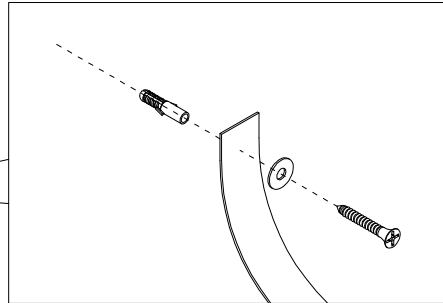
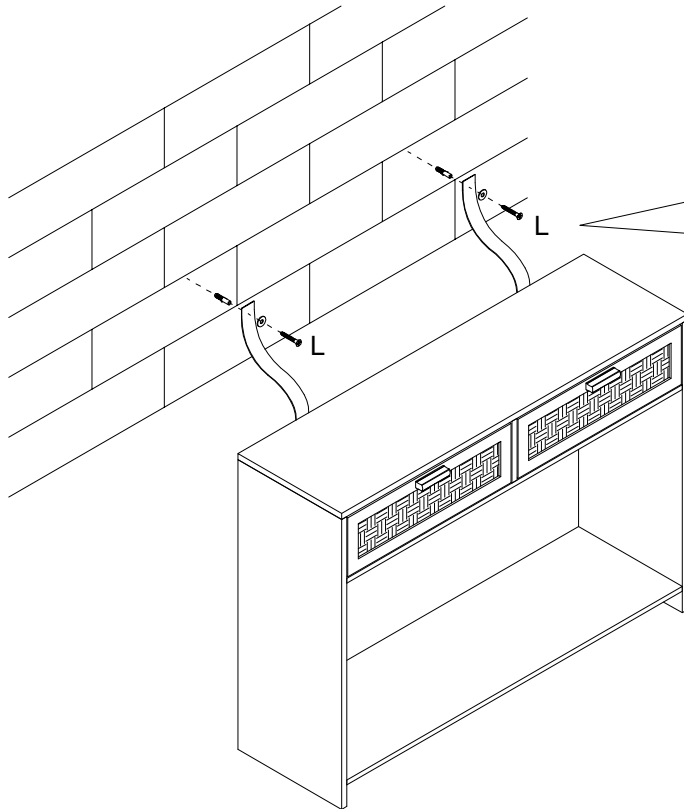
-  K x 2
-  M x 4



Tool required  
Phillips Head Screw Driver  
(Not Provided)

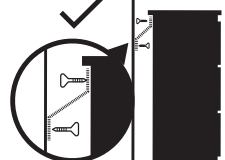

## STEP 20:

 L x 2




Tool required  
Philips Head Screw Driver  
(Not Provided)

### ⚠ WARNING



**Children have died from furniture tipover.**

- ALWAYS secure it with an anchor device.
- NEVER allow children to stand, climb or hang on drawers, doors, or shelves.
- NEVER open more than one drawer at a time.
- Place heavy items down low.
- Furniture type is at risk of toppling over.

**NEVER put a TV on this furniture** 

**This is a permanent label. Do not remove!**

#### TOPPLING FURNITURE WARNING:

- **It is strongly recommended that this product is permanently fixed to the wall.**
- **Please seek professional advice if you are in doubt of what fixing device to use.**
- **Regularly check that anchors are securely maintained.**
- **Use safety drawer locks to prevent children climbing.**
- **Stability of tall items may be affected by thick pile carpet or uneven floors .**
- **Do not place unanchored televisions on furniture .**

**CAUTION:** for your safety when attaching the anchor fixings, please note the following:

- **Check any electrical wires or plumbing inside the wall before drilling any holes (if you are unsure please seek professional advice from a qualified tradesperson).**



WARNING: PLEASE SECURE YOUR FURNITURE WITH THE SUPPLIED WALL FIXING. SCAN THE CODE FOR MORE INFORMATION.

