

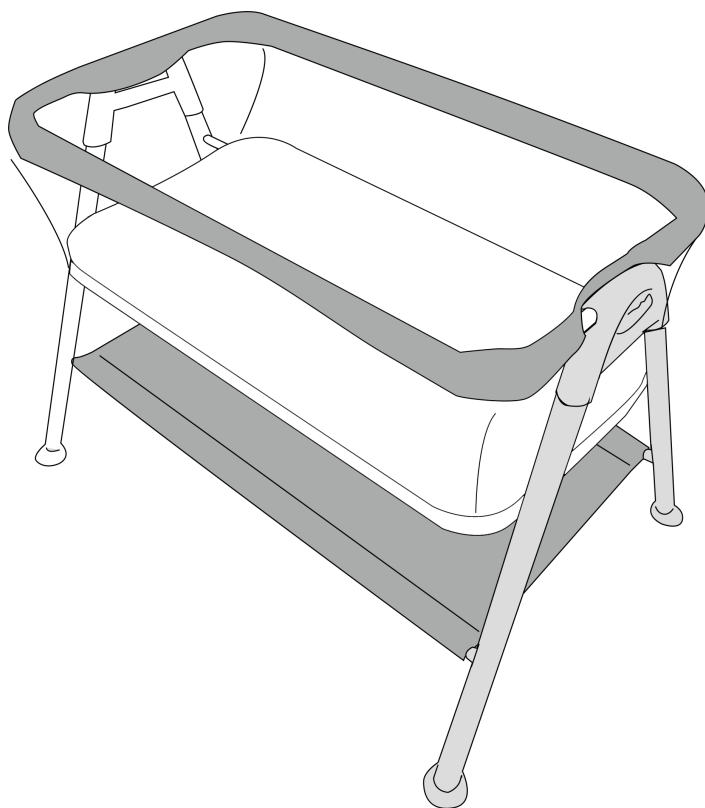
Nursery Bassinet

Instruction Manual


0-6
months

9
kg

MAXIMUM
WEIGHT
OF CHILD



THE ILLUSTRATIONS SHOWN IN THIS MANUAL ARE FOR REFERENCE ONLY. THE MANUFACTURER RESERVES THE RIGHT TO CHANGE ANY SPECIFICATION OR FEATURE WITHOUT FURTHER NOTICE. IMPORTANT! PLEASE READ CAREFULLY BEFORE USE AND KEEP FOR FUTURE REFERENCE.

 **WARNING!**
**IMPORTANT: READ CAREFULLY AND
RETAIN THESE INSTRUCTIONS FOR
FUTURE REFERENCE.**

Read these instructions carefully before assembly and use and keep for future reference. The child may be hurt if you do not follow these instructions.

Before using, remove and dispose of any plastic bags and other packaging (eg. fasteners, fixing ties, etc.) and keep them out of reach of children.

WARNING! Do not use this product without reading the instructions.

WARNING! This product is intended for babies aged between 0 and 6 months, weighing up to a maximum of 9kg.

FALL HAZARD – To help prevent falls, do not use this product when the infant begins to push up on hands and knees or has reached 9kg, whichever comes first.

WARNING! Placing additional items in the product may cause suffocation.

WARNING! Do not place the product close to another product which could present a danger of suffocation or strangulation, eg. strings, blind/curtain cords, etc.

WARNING! Do not use more than one mattress in the product. Use only the mattress supplied by the manufacturer. An incorrect mattress may cause death.

Safety Advice

WARNING! Overloading and the use of unapproved accessories may cause damage to the crib.

WARNING! The product is ready for use only when all locking mechanisms are engaged. Check carefully that these are engaged before use.

WARNING! Do not attempt to move or lift the product when a child is in it.

WARNING! Make sure the users of this product are knowledgeable on its proper operation.

WARNING! Be aware of the risk of burning cigarettes, open fires and other sources of strong heat such as electric bar fires, gas fires etc. in the vicinity of the crib.

WARNING! DO NOT use the product if any part is broken, torn or missing. Contact the manufacturer or distributor for replacement parts and instructional literature if needed. Do not substitute parts.

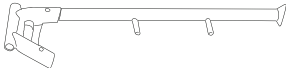




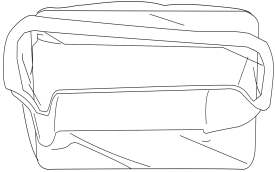
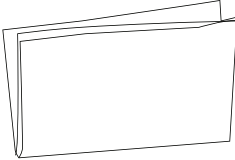
WARNING! Before assembly, check that the product and all of its components have not been damaged during transportation. Should any part be damaged, do not use and keep out of reach of children.

- › All opening, adjusting, anchoring and positioning operations of the product must be carried out exclusively by an adult.
- › The product must always be placed on a horizontal surface. Never leave the product on an inclined surface with the child inside of it.
- › Children must not be permitted to play without supervision near the product.
- › Do not use the product without the frame.
- › Do not leave any object inside the product that could reduce its depth.
- › Do not position the product near walls and obstacles to prevent trapping hazards.
- › Infant should be placed to sleep on a firm, flat surface.
- › Place infant on their back when using this product.
- › Do not put objects or accessories in an infant's sleep environment.
- › Do not place this product near a blind, cord strap or similar item that could become wrapped around an infant's neck.

Safety Advice

- › Do not leave small objects inside the product to prevent choking hazards.
- › Use only spare parts approved by the manufacturer. Do not apply accessories to the product which are not supplied by the manufacturer.
- › Do not adjust the product with the child inside.
- › Do not move the product with the child inside.
- › Do not use the product for more than one child at a time.
- › The product must be kept away from electric cables and cords: do not place the product near windows where cords, curtains or similar objects could pose choking or strangling hazards for the child. To avoid strangling hazards, do not give to your child or place near her/him objects equipped with cords.
- › All assembly fittings should be tightened properly and care should be taken to ensure no screws are loose, as a child could trap parts of their body or clothing eg. strings, necklaces, ribbons etc. which could pose a risk of strangulation.
- › When not in use, keep the product away from the reach of children.
- › A prolonged exposure to the sun may cause changes of tones to the product's colour. After a prolonged exposure of the product to high temperatures, wait a few minutes prior to placing the child in the bassinet.

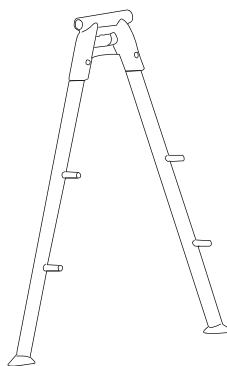
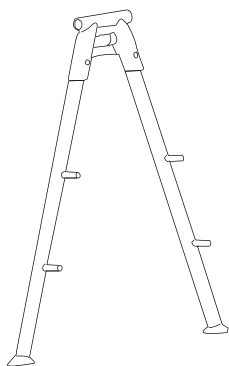
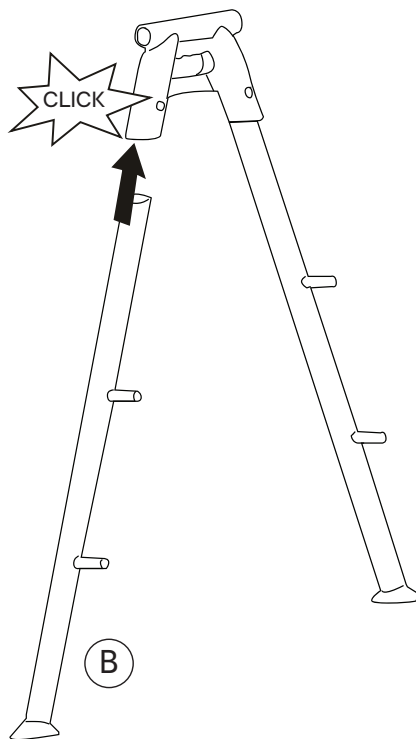
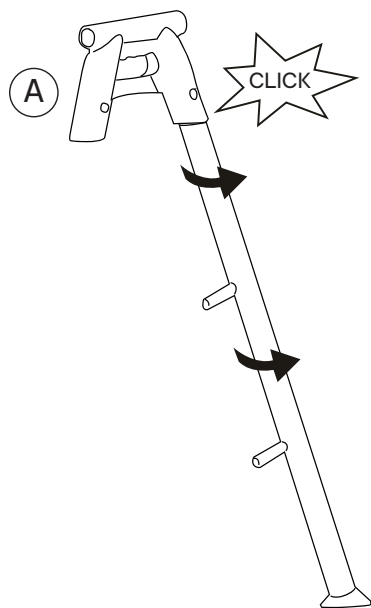
Parts List

<p>A</p>  <p>leg with pre-installed joint x2</p>	<p>B</p>  <p>leg x2</p>	<p>C</p>  <p>frame x2</p>
<p>D</p>  <p>cross bar with metal pin x2</p>	<p>E</p>  <p>cross bar x2</p>	<p>F</p>  <p>bassinet x1</p>
<p>G</p>  <p>storage basket x1</p>		

Assembly

Step 1

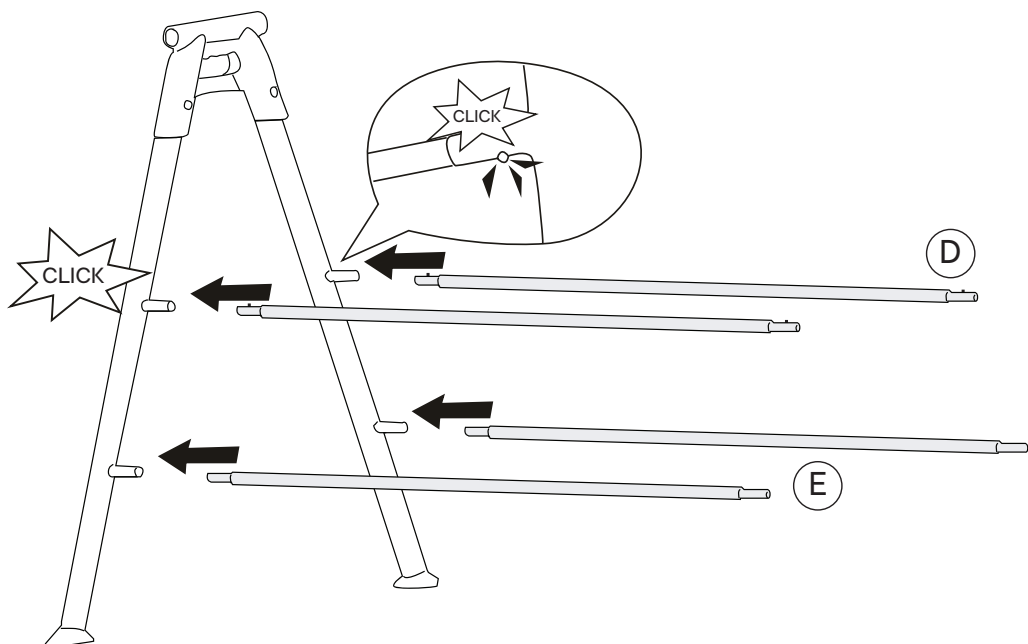
Insert and rotate the legs (B) on both sides of the joint (A) until you hear a “click” and the pin pops out of the hole to lock it into place. Do the same on the other side.



Assembly

Step 2

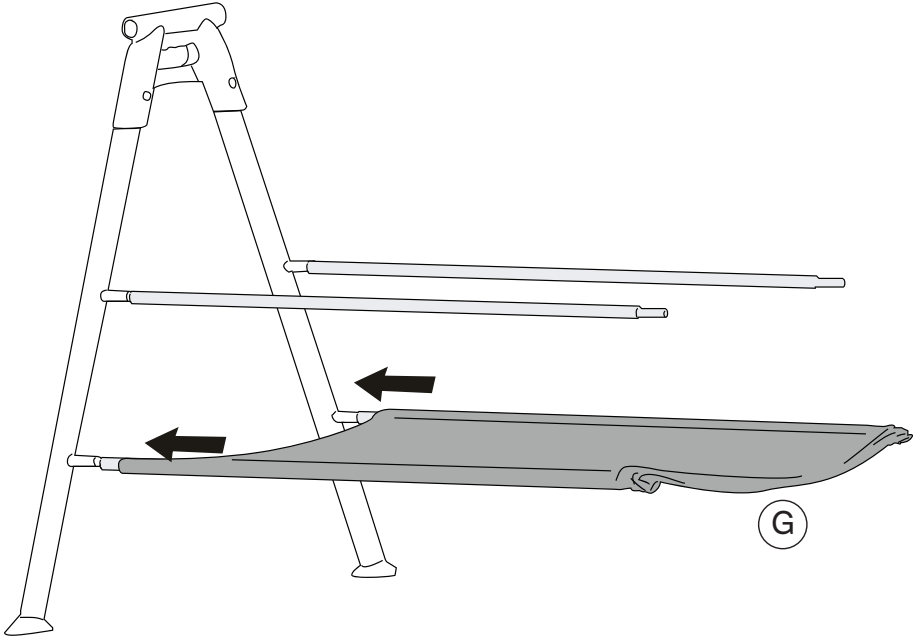
Connect the cross bar (E) to the bottom of the legs. Push in the cross bar push pin (D) and insert the end into the top of the leg until the push pin pops out of the corresponding hole, as shown in the diagram below.



Assembly

Step 3

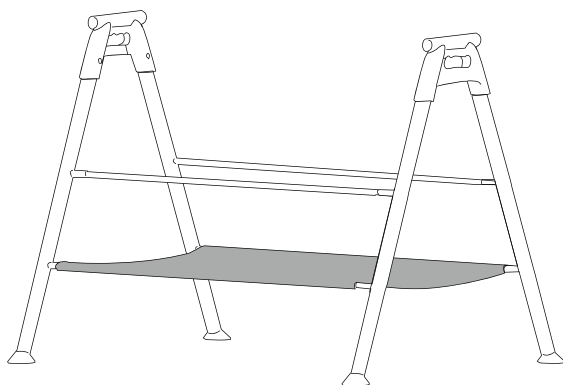
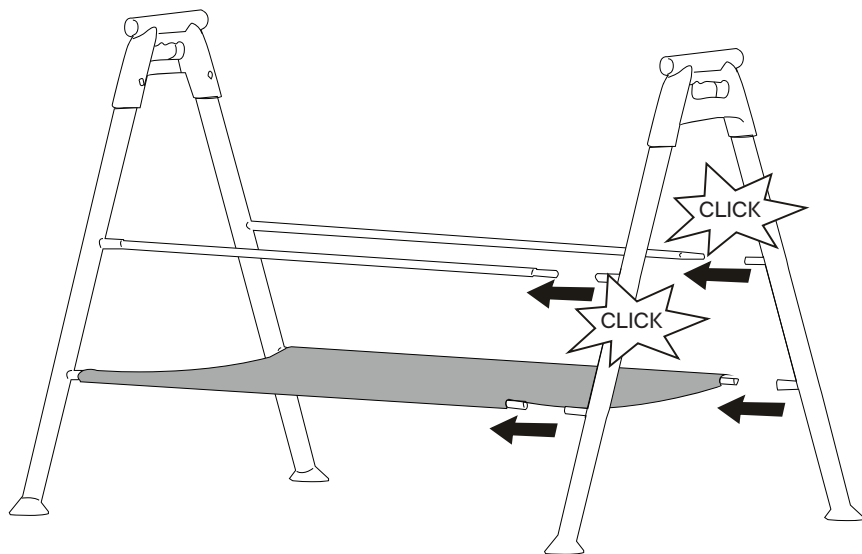
Insert the storage basket (G) into the bottom bars.



Assembly

Step 4

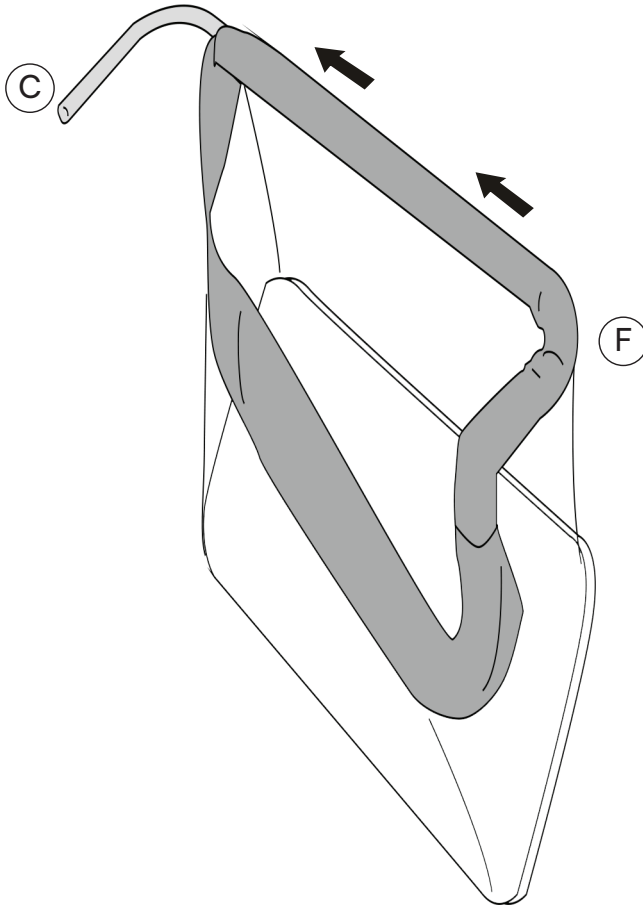
Connect the second joint with legs to the other side. It is secured once you hear a “click”.



Assembly

Step 5

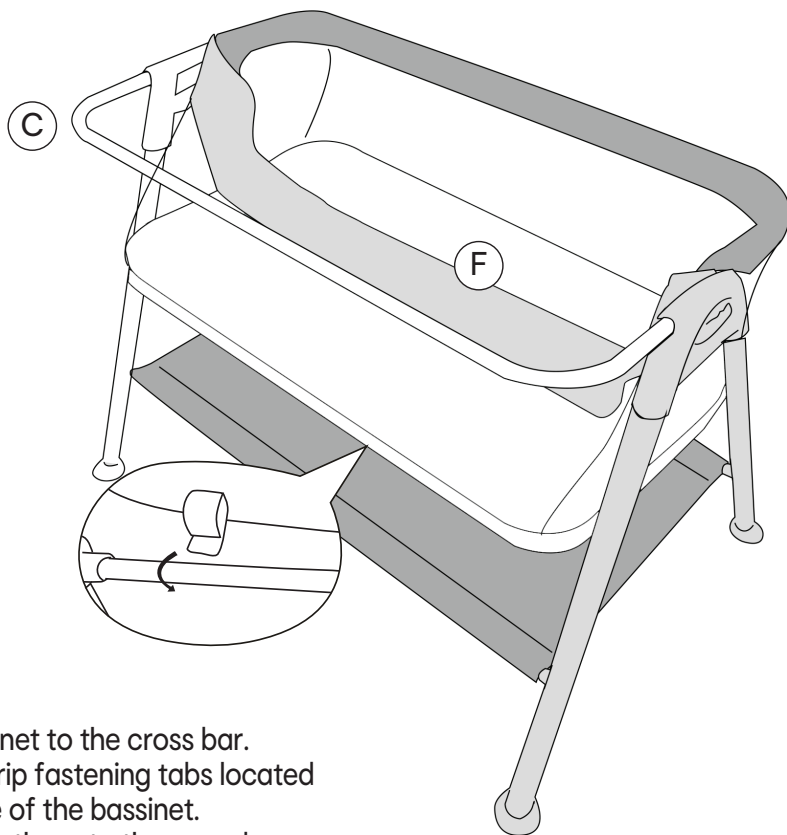
Put one of the frames (C) inside the top of the bassinet (F) and then connect it to one of the sides of the joint.



Assembly

Step 6

Connect the remaining frame (C) to the other side of the joint and cover it with the bassinet (F).

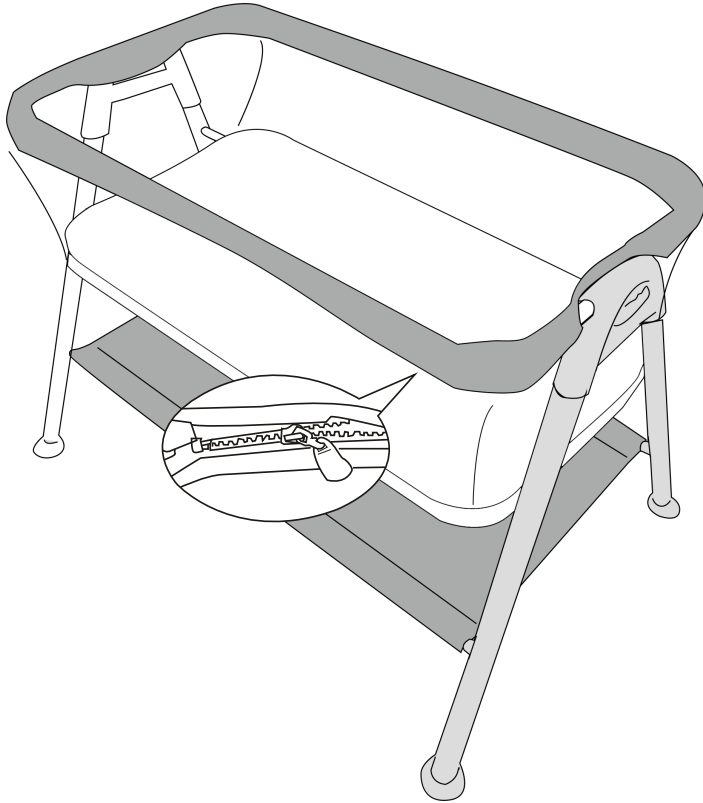


Secure the bassinet to the cross bar.
There are four grip fastening tabs located
on the underside of the bassinet.
Wrap and secure these to the cross bar.

Assembly

Step 7

Secure the bassinet to the frame with the zipper located below the fabric.



Care

Cleaning

- › Spot clean the crib lining using mild soap or upholstery shampoo. NEVER use bleach. Air dry in shade thoroughly before reuse and avoid direct heat and sunlight. DO NOT iron. DO NOT dryclean ☒.
- › Check the resistance of the fabric and the stitching after cleaning.
- › Wash the mattress cover before use. Warm machine wash on gentle cycle.
- › Do not bleach.
- › Do not tumble dry.
- › Do not iron.
- › Do not dryclean ☒.
- › Dry thoroughly before reuse or storage.
- › Wipe the frame using warm water and a mild detergent.
- › NEVER use bleach. Never clean any part of the crib with abrasive pads or ammonia based, bleach based or spirit type cleaners.
- › Ensure the product is fully dry before use or storage.
- › Always ensure the crib is stored in a dry place to prevent mold or mildew developing. Store away from any heat sources and out of the sun.

Maintenance

- › Always check parts regularly for tightness of bolts, nuts and other fasteners.
- › Tighten or replace if required.
- › Check the strength of the fabric covers from time to time.
- › Defective or worn parts must be replaced; as should components which are broken, torn, defective or worn out.
- › Use only parts and accessories approved by the manufacturer.

K: 43-500-390 | T: 70-365-818

MADE IN CHINA

RETAILER INFORMATION IF SOLD BY:

KMART AU: 690 SPRINGVALE RD, MULGRAVE VIC 3170 AUSTRALIA

KMART NZ: REGIONAL OFFICE C/O KMART PAPATOETOE STORE, HUNTERS PLAZA, GREAT SOUTH ROAD, PAPATOETOE, AUCKLAND, NEW ZEALAND

TARGET AU: 2 KENDALL ST, WILLIAMS LANDING VIC 3027 AUSTRALIA

CUSTOMER SERVICE

KMART AU: 1800 124 125

KMART NZ: 0800 945 995

TARGET AU: 1300 753 567