

anko

Pressure Washer User Manual



Model No.: YLQ4505H-130C
Rev 1

READ AND SAVE THESE INSTRUCTIONS

Note: This appliance's specifications and/or components are subject to change without prior notice.

If any Accessories should fail during use, please call 1300 105 888 (Australia) or 09 8870 447 (New Zealand) for an immediate replacement. This will save you from returning the product to the store.

If we can assist you in any other way, please feel free to contact us.

1	Warnings	4
2	Product Characteristics	9
3	Specification	9
4	Components	10
5	Assembly	11
5.1	Wheels.....	11
5.2	Spray Gun Holster	11
5.3	Power Cord Hook	12
5.4	Wand Extension Holder	12
5.5	Handle	13
5.6	Water Inlet / Filter Connector	13
5.7	Pressure Hose	14
5.8	Pressure Gun	14
5.9	Extension Wand to Pressure Gun	15
5.10	Variable Spray Nozzle to Extension Wand.....	15
5.11	Detergent Sprayer	16
6	Trigger Lock	17
7	Variable Spray Nozzle	17
8	Operation Procedures	17
8.1	High Pressure Operation.....	18
8.2	Operation with Detergent.....	20
9	Storage	21
10	Cleaning Your Pressure Washer	22
11	Maintenance	23
11.1	Blocked Spray Nozzle	23
11.2	Blocked Inlet Water Filter.....	24
12	Troubleshooting	25
13	Warranty Against Defect	27

1 Warnings



Before using this appliance, read and follow all warnings and instructions in this manual, even if you are familiar with this product.

This appliance is not intended for use by persons (including children) with reduced physical, sensory, or mental capabilities, or lack of experience and knowledge unless they have been given supervision or instruction concerning the use of the appliance by a person responsible for their safety.

Children should be supervised to ensure that they do not play with the appliance.

If the supply cord is damaged, it must be replaced by the manufacturer, its service agent, or similarly qualified persons in order to avoid a hazard.



The jet of water must not be directed towards equipment or appliances containing electrical components.

The high-pressure water jet must not be directed at persons, animals, electrical equipment or at the appliance itself.

All current-conducting parts in the working area must be protected against the jet water.

The mains plug and the coupling of an extension lead must be watertight and must never lie in water. Moreover, the coupling must never lie on the ground.

The use of extension cable reels that ensure that the power sockets are at least 60mm above the ground is recommended.

The appliance must be switched off and unplugged when leaving unattended, after use, before cleaning the appliance and carrying out user maintenance.

Squeeze the trigger to release the pressure after turning the water supply off and unplugging the appliance.

Please read this instruction manual carefully before first use. It is advisable to keep this instruction manual for future reference.

DO NOT leave the appliance unattended when in use or pressurised.

DO NOT direct the steam towards persons, animals, or other electrical products.

To protect against the risk of electric shock, do not immerse the appliance, cord, or plug in water or other liquids.

Check important components, such as the high-pressure hose, hand spray gun for damage prior to every operation.

Immediately replace damaged components. **Do not** operate the appliance with damaged components.

High-pressure water jets can be dangerous if subject to misuse.

Do not direct the water jet against yourself or others to clean clothes, footwear, etc.

Do not use the appliance within range of persons unless they wear protective clothing.

Wear appropriate Personnel Protection Equipment (PPE) while operating the appliance.

DO NOT use near sinks, baths or showers containing water.

DO NOT use in swimming pools, etc. containing water.

It is highly recommended to disconnect the plug from the wall socket and let it before changing the accessories.

Do not use this appliance if it has been dropped or if any part of the appliance (including the cord or plug) has been damaged.

Use only accessories recommended or supplied by an authorised service centre or qualified dealer. The use of accessories not intended for use with this appliance may cause injuries to the user or damage to the appliance.

Do not place this unit on other appliances, on uneven surfaces or where it could be subject to heat sources (e.g., radiators or stoves), direct sunlight, excessive dust.

This Appliance should not be placed near a hot gas or electrical burner or placed in a heated oven.

Do not operate this appliance underneath or near flammable or combustible materials (e.g., curtains, petrol, fuels, etc.).

The appliance should always be switched off before connecting or disconnecting from the power supply. Never pull the cord to disconnect the plug from the wall socket.

Any type of servicing, apart from ordinary cleaning, must be carried out by an authorised service centre or qualified dealer. There are no user-serviceable parts in this appliance.

If this appliance is to be used by a third party, please supply the instruction manual with it.

The water jet that is emitted from the high-pressure nozzle results in a repulsion power acting on the hand spray gun. Make sure that you have a firm footing and are also holding the hand spray gun and spray lance firmly.

Always turn the appliance off and disconnect the electrical power when stopping work or when changing work areas. Never leave the machine running when unattended.

ATTENTION

In case of extended breaks, switch the appliance off at the main switch or pull the mains plug.

Do not operate the appliance at temperatures below 0°C.

The appliance must not be operated in an explosive atmosphere.

Risk of explosion- Do not spray flammable liquids.

This includes petrol, paint thinner and heating oil, etc.

The spray mist is highly flammable, explosive, and poisonous.

Do not use acetone, undiluted acids, and solvents, as they corrode the materials used on the appliance.

Never use the product with flammable or toxic liquids, or liquids with characteristics incompatible with its proper operation.

High-pressure hoses, fittings and couplings are important for the safety of the appliance. Only use high-pressure hoses, fittings and couplings recommended by the manufacturer.

To ensure applicable safety, use only original spare parts from the manufacturer or approved by the manufacturer.

Switch the product off and disconnect it from the power supply removing the power plug from the socket outlet before assembly, cleaning, adjustments, maintenance, storage, transportation etc.

To avoid an overloaded circuit, do not operate another high-current appliance on the same electrical circuit.

Ensure children and babies do not play with plastic bags or any of the packaging material.

Position the power supply cord properly so that it will not be walked on or pinched by items placed on or against it.

Use only clean water.

Mind the weight of the appliance when selecting the storage location and during transport to prevent accidents or injuries.

Several hours of continuous use of the appliance can lead to numbness in the hands in rare cases.

- Wear gloves.
- Keep hands warm.
- Take breaks at regular intervals.



The appliance must not be directly connected to the public drinking water network.

WARNING

The improper use of detergents can cause severe injuries or oxidation.

Store cleaning agents away from the reach of children.

Discharge residual pressure before disconnecting the hoses from the product.

Check before each use, and at regular intervals, that all metal fasteners are tight, and the product's components are in good condition; inspect for broken or worn parts.

Even if you are operating this product in accordance with all the safety requirements, potential risks of injury and damage remain.

The following dangers can arise in connection with the structure and design of this product:

- Health defects resulting from vibration emission if the product is being used over long periods of time or not adequately managed and properly maintained.
- Danger of injury and property damage caused by flying objects.
- Injuries and damage to property due to broken accessories or the sudden impact of hidden objects during use.

Wear protective clothing and safety goggles to protect against splash back containing water or dirt and hearing protection.

During the use of high-pressure cleaning, aerosols can develop. Inhaling aerosols can be harmful to your health.

DO NOT store or use the appliance near or in high-temperature areas.

DO NOT use the appliance if the power cord is damaged. Do not repair by yourself. It must be repaired by the manufacturer, our customer service department, or a similarly qualified person.

ONLY for domestic use. Industrial or commercial use invalidates the warranty.

No liability can be accepted for any damage caused by non-compliance with these instructions or any other improper use or mishandling of the appliance.

Additional Safety Instructions Relating to the Plug and Power Cord

If using an extension cord:

- The technical specifications of the extension cord must match or exceed the technical specifications of this appliance.
- Do not allow the cord to hang over the edge of the work surface or to come into contact with stoves or other hot surfaces.
- If the cord or plugs are worn or damaged, do not use.
- Unplug from the power socket by grasping the plug body - Do Not pull on the cord.

High Pressure Hose

The high-pressure hose is specially constructed with reinforced walls which can be easily damaged and should be used and stored carefully.

- Do not kink.
- Do not drive vehicles over the hose or stand on the hose.
- Do not expose the hose to sharp edges or corners. Misuse will lead to ballooning or premature failure and will invalidate warranty.

2 Product Characteristics

The intended use of this product covers the cleaning of vehicles, buildings, terraces, facades, and garden equipment using clean water and detergents.

Likewise, the product can be used to clean paving slabs or rain gutters.

This product must not be used to clean clothing, shoes, and other textiles.

For safety reasons it is essential to read the entire instruction manual before first operation and to observe all the instructions there in.

3 Specification

- Rating of Power Supply: 220 - 240Va.c. 50Hz, Class II, IPX5.
- Rated Power: 1600W.
- Allowed rated line load current is no greater than 10A.
- Rated Pressure: 9Mpa.
- Allowable Pressure:13Mpa.
- Flow Rate: 5.2L/min.
- Max. Flow: 8.0L/min.
- Max. Inlet Pressure: 0.7MPa
- Sound Pressure Level Lw 96.2 dBA.

4 Components



Item	Description	Item	Description
1	On / Off Switch	9	Handle Holster
2	Main Unit	10	Water Inlet Connector / Filter
3	High Pressure Hose	11	Variable Spray Nozzle
4	Wand Holder	12	Trigger Safety Lock
5	Power Cord Hook	13	Wand Extension
6	Screws	14	Spray Gun
7	Nozzle Cleaner	15	Wheels
8	Detergent Sprayer	16	Carry Handle

5 Assembly

5.1 Wheels

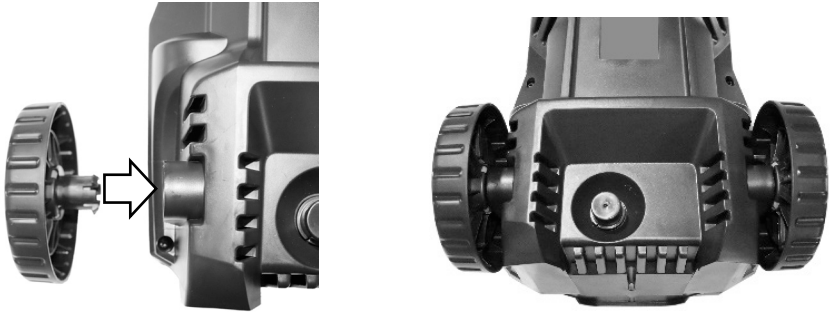
To save on the amount of packaging waste, the appliance has been packed in the smallest box possible, however, this means a small amount of assembly is required before use.

The only tool you will need is a Philips Head Screwdriver.

After removing the appliance and components from the box, the first items to assemble are the Wheels.

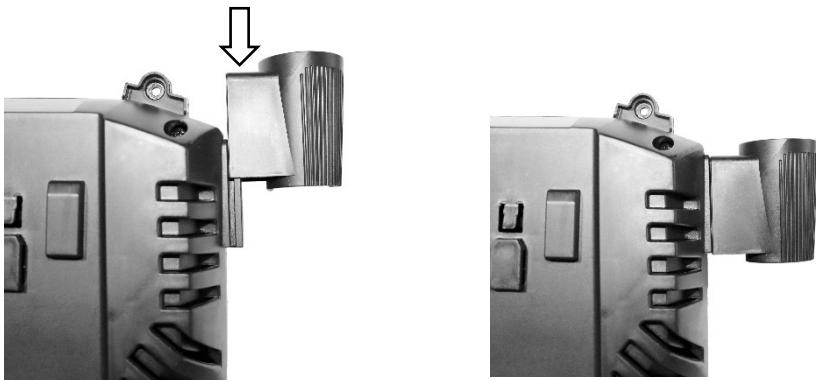
Take the main unit and lay it down with the bottom of the unit facing up.

Take a wheel and align the axle with the hole in the side of the main unit and push in very hard until the wheel locks in place. Repeat on the other side.



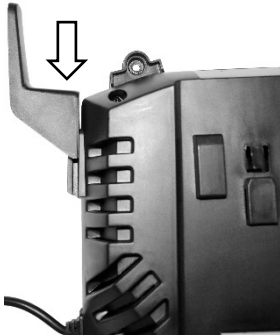
5.2 Spray Gun Holster

Take the Spray Gun Holster and align with the slots on the side of the main unit, slide it on, then push all the way down hard until it locks in place.



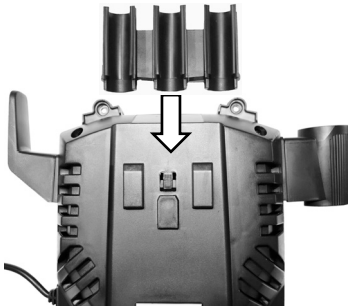
5.3 Power Cord Hook

Take the Power Cord Hook and align with the slots on the side of the main unit, slide it on, then push all the way down hard until it locks in place.



5.4 Wand Extension Holder

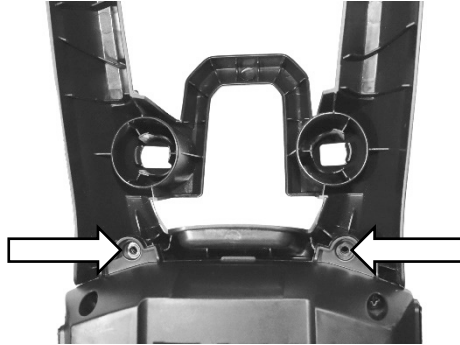
Take the Wand Extension Holder and align with the slots on the top back of the main unit, slide it on, then push all the way down hard until it locks in place.



5.5 Handle

Stand the main unit up, take the handle, then starting at the front of the appliance, slide the bottom of the handle into the mating slots in the top of the appliance and slide on all the way.

Take the two screws and screw in firmly to secure the handle to the appliance body.



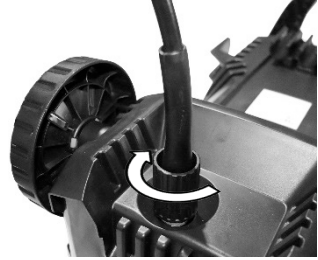
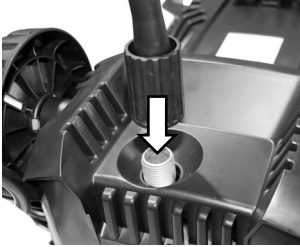
5.6 Water Inlet / Filter Connector

Take the Water Inlet / Filter Connector and screw (clockwise) onto the threaded spigot in the front of the main unit. **Note:** Remove the protection cap and discard first.



5.7 Pressure Hose

Take the end of the Pressure Hose and screw (clockwise) onto the threaded spigot on the base of the main unit. **Note:** Remove the protection cap and discard first.



5.8 Pressure Gun

Take the other end of the Pressure Hose and push it into the hole located in the bottom of the handle.

Note: If you have difficulty inserting it, push the retaining lever across, push the hose coupling in, then release the retaining lever and push it over to ensure the coupling is locked.

Pull on the hose to ensure it is locked into the gun properly.

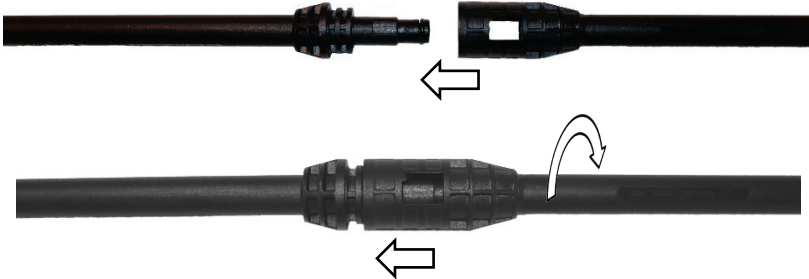


5.9 Extension Wand to Pressure Gun

Take the Extension Wand and align the two large tabs at the spigot end with the two large slots in the coupling end of the Pressure Gun.



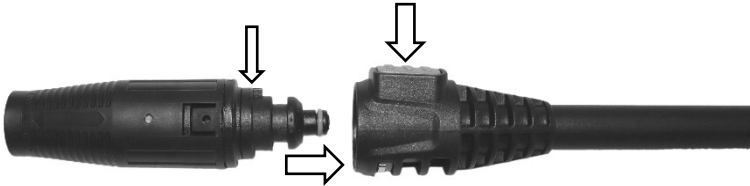
Push the Gun onto the wand all the way down then whilst holding the Wand firmly, rotate the Gun clockwise to lock the Wand in place.



To remove the Extension Wand, push the Gun onto the Extension Wand, rotate the Gun anticlockwise, then pull the two components apart.

5.10 Variable Spray Nozzle to Extension Wand

Take the Variable Spray Nozzle and align the tab on top of the Variable Spray Nozzle Spigot with the Slot in the Coupling end of the Wand.



Press the Locking Button on top of the Wand and at the same time, push the Variable Spray Nozzle onto the Wand then release the button to lock the Nozzle in place.



To remove the Variable Spray Nozzle, press the button on top of the Wand and at the same time, pull the Nozzle straight out.

5.11 Detergent Sprayer

The Detergent Sprayer is used for spraying your specific detergent, based on the job at hand, quickly and evenly over a large surface.

The detergent in the bottle is automatically diluted with the water as it exits the spray Variable Spray Nozzle.

You can use the Detergent Sprayer to help wash your car, house windows etc.

Note: The Detergent Sprayer cannot be used with the Extension Wand.

The Detergent Sprayer will attach directly to the end of the Pressure Gun.

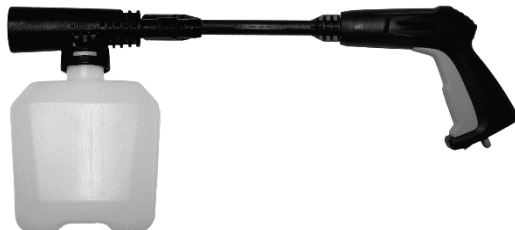
Unscrew the Top from the Detergent Sprayer and fill with your specific Detergent.

IMPORTANT: Do Not add solvents, flammable liquids such as petrol, paint thinners, acetone, oil, acids, etc. as these are extremely flammable and toxic.

Only use detergents that are suitable for being sprayed.



Screw the top back on to the bottle and then attach the bottle to the Spray Gun with the same method as when attaching the Extension Wand.



6 Trigger Lock

The Spray Gun is fitted with a Locking Device to help prevent the trigger from being depressed accidentally.

To activate the lock, press the front of the rocker button in as shown below. To deactivate the lock, press the rear of the rocker button.



7 Variable Spray Nozzle

The Variable Spray Nozzle is adjustable to spray either a fine jet of water or a wide fan spray of water, or anything in between.

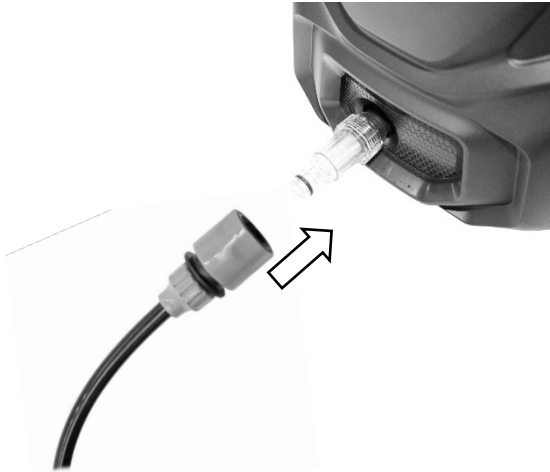
To adjust the spray pattern, rotate the outer section of the Variable Spray Nozzle until your desired spray pattern is obtained.



8 Operation Procedures

- Before first use, please read this Instruction Manual carefully.
- Place the Pressure Washer on a level flat surface.

- Attach your garden hose into the water connection on the front of the appliance and turn the Water On. **DO NOT** start the appliance yet.



- Bleed the air from inside the hoses and main unit as follows prior to operation:
- If locked, unlock the Spray Gun Trigger.
- With the Garden Hose attached and the water turned on, squeeze the Spray Gun Trigger to allow the water to start flowing.
- Keep squeezing until all the air has been purged. You will know when this has happened as the spluttering and inconsistent water stream will change to be a nice steady stream of water.

8.1 High Pressure Operation

- Turn on the appliance by rotating the knob to the “ON/I” position.



- You will hear the pump start and then as soon as the pressure has built up, the pump will turn off.

- Squeeze the trigger on the gun and the pump will switch on and the high-pressure water will be ejected from the end of the gun.

WARNING! Beware of kickback when pressing the trigger.

- Let the device run (maximum of 2 minutes) to ensure everything is working properly.
- To stop the water, release the trigger; the device will switch off again and stop the water jet.

NOTE: High pressure remains in the system.

IMPORTANT:

Operating the unit without water for more than 1 minute will damage the high-pressure pump and void your warranty.

If the appliance does not build up pressure within 1 minute, switch the appliance off and proceed to the Section “Troubleshooting” for a remedy.

CAUTION:

Keep a distance of at least 30 cm when using the jet for cleaning painted surfaces to avoid damage.

Make sure the on/off switch is set to “OFF/O” position before inserting the power plug into a properly installed power point.

ATTENTION:

The washer must be used on a secure and stable surface in a standing, upright position.

- Hold the spray gun with both hands.
- Direct the nozzle of the chosen accessory away from you towards the surface to be cleaned then squeeze the trigger.

Note: If using the Variable Spray Nozzle, refer to the section in this manual “Variable Spray Nozzle” for water jet adjustment.

- Move the Water jet over the area needed to be cleaned.
- To stop the water, release the trigger; the device will switch off again and stop the water jet.

NOTE: High pressure remains in the system.

8.2 Operation with Detergent

Detergent can only be added when the device is operated in low pressure mode.

When the supplied Detergent Sprayer is attached to the end of the Spray Gun, this will automatically be in Low Pressure Mode.

DANGER

When using detergents, the material data safety sheet issued by the detergent manufacturer must be adhered to, including the instructions regarding personal protective equipment.

- Refer to the section “Detergent Sprayer” in this manual for instructions on how to set up the Detergent Sprayer.

Recommended Cleaning Method

- Remove any clumps of dirt with the High-Pressure Variable Spray Nozzle but take care not to damage the surface to be cleaned.
- Start off by using the Wide Water Jet setting which is the gentlest setting and gradually adjust the high-pressure Variable Spray Nozzle until the clumps of dirt are dislodged.
- Using the Detergent Sprayer Accessory, spray the detergent sparingly on the dry surface and allow it to react, but not to dry before rinsing off with clean water.

After Operation with Detergent

- Clean the inside and outside of the Detergent Sprayer with clean water and then refit the cap.

If Interrupted During Operation

- Release and Lock the trigger.
- Place the spray gun into its parking position.

NOTE: During longer breaks (more than 5 minutes), turn the appliance off using the “OFF/ON” switch.

When Finished

- Switch Off and unplug from the power point.
- Turn off the water and disconnect the hose.
- Press the trigger to release any remaining pressure in the system.

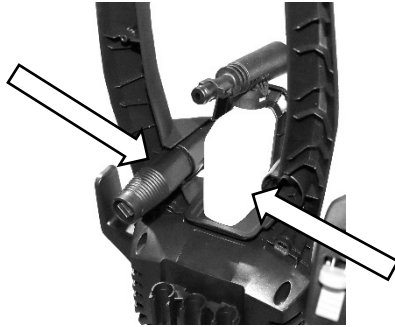
ATTENTION

When disconnecting the water supply or the high-pressure hose, warm water may dribble out from the connection after operation. This is normal.

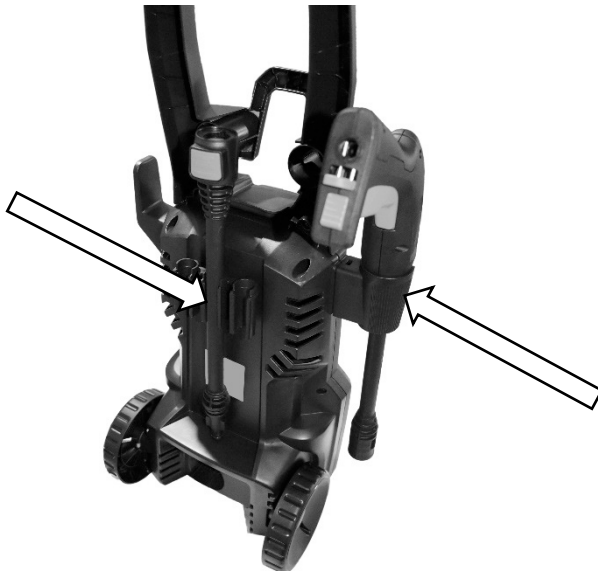
9 Storage

- The main unit has provision for storing the Variable Spray Nozzle, Detergent Sprayer, Power Cord, High Pressure Hose, and the Spray Gun.

Variable Spray Nozzle and Detergent Sprayer



Spray Gun and Extension Wand



High Pressure Hose and Power Cord



Do Not wind the power cord around the appliance body as this will damage the cord over time. Simply loop the cable and place it on the hanging hook.

- Store the appliance safely and in a dry place.

10 Cleaning Your Pressure Washer

- Switch off and unplug the appliance before cleaning.
- Wipe the outer surface of the appliance with a soft damp cloth and dry with a dry towel.

Do Not use abrasive creams, solvents, steel wool or scouring pads as they will damage the finish.

Do Not place the appliance or components in the dishwasher.

CAUTION: DO NOT IMMERSE THE MAIN UNIT IN WATER OR LIQUID.

11 Maintenance

11.1 Blocked Spray Nozzle

Should you suddenly notice that the jet of water from the Variable Spray Nozzle or the Detergent Sprayer decreases significantly or stops all together, there could be dirt or a foreign object blocking the hole.

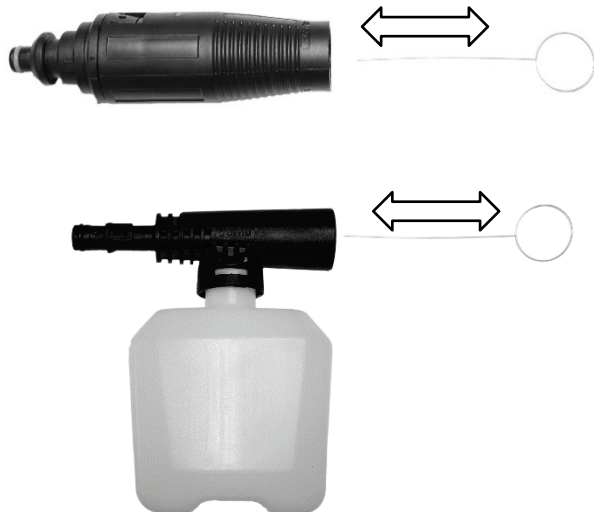
This could happen from dirt or insects etc. entering the high-pressure hose or other components during storage.

If this happens, you can clean out the hole using the “Nozzle Cleaner”.

You may also use this periodically to ensure the hole is always clean and fully open.

To clean the hole, first remove the Variable Spray Nozzle, or the Detergent Sprayer from the Spray gun.

Take the Nozzle Cleaner and gently insert the wire into the hole then slide it in and out to remove any deposits.



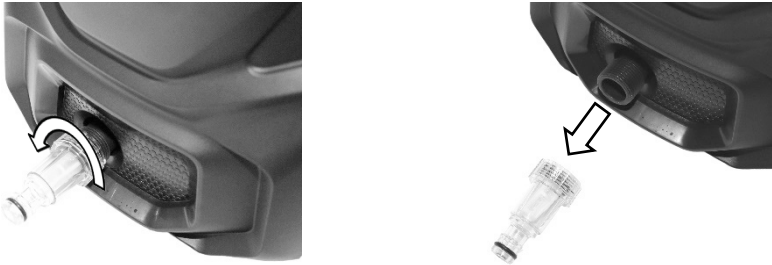
After cleaning the hole, you can back flush the nozzle with tap water by placing the front of the Nozzle under a running tap and allowing water to wash out the debris in the opposite direction to the normal water flow direction.

11.2 Blocked Inlet Water Filter

Should you suddenly notice that the jet of water from the Variable Spray Nozzle or the Detergent Sprayer decreases significantly or stops all together, it could be a blockage in the water supply filter.

The filter is located inside the Garden Hose connector which is screwed onto the front on the main unit.

To access this filter for cleaning, unscrew the connector from the main unit.



Using your fingers or a pair of tweezers, pull the small mesh filter out of the connector.



Clean the filter, refit the filter, and reattach the connector to the main unit.

12 Troubleshooting

Water Pump Will not Start.	Power Not Switched On.	Switch On at power point. Switch on Appliance
	No Power to Power Point	Check to see if there is power supplied with another appliance, such as a lamp.
	Unit has already Pressurised	Squeeze the Trigger to allow water to flow which will restart the pump
	Pump Motor has Overheated	Switch off, unplug, and allow the unit to cool down for 30 – 60 minutes.
The water rate has decreased or fluctuates	Nozzle Hole is blocked	Clean Hole with Nozzle Cleaner. Refer to "Maintenance" section for instructions
	Water Pump sucking air	Check all connections are tight and sealed properly, especially the water supply connection.
	Valves dirty, worn out or stuck	The product cannot be repaired.
	Pump seals worn out.	Call Customer service
Cannot Squeeze Trigger	Trigger lock not released	Refer to "Trigger Lock" section for instructions
Unit Pulsates	Air in inlet hose and system	Check all connections are tight and sealed properly, especially the water supply connection, then allow machine to run with the trigger squeezed until regular working pressure resumes.
	Inadequate supply of mains water	Check that the water supply and pressure correspond to the specifications required. NB: Avoid using long, thin hoses minimum Ø1/2" or Ø13mm.
	Nozzle partially blocked	Clean Hole with Nozzle Cleaner. Refer to "Maintenance" section for instructions
	Water filter blocked	Clean Water Filter. Refer to "Maintenance" section for instructions
	Hose kinked	Ensure water supply hose is not kinked or crushed.

Machine starts, but no water comes out	Pump/hoses or accessory frozen	Wait for pump/hoses or accessory to thaw.
	No water supply	Connect inlet water and make sure water is coming out of the hose. Ensure water supply hose is not kinked or crushed
	Water filter blocked /Nozzle blocked	Clean the filter /Clean the nozzle. Refer to "Maintenance" section for instructions

13 Warranty Against Defect

12 Month Warranty

Thank you for your purchase.

Your new product is warranted to be free from defects in materials and workmanship for the period stated above, from the date of purchase, provided that the product is used in accordance with accompanying recommendations or instructions where provided. This warranty is in addition to your rights under the Australian Consumer Law. For New Zealand customers, this warranty is in addition to statutory rights observed under New Zealand legislation.

We will provide you with your choice of a refund, repair (where possible) or exchange (availability dependent) for this product if it becomes defective within the warranty period. The business will bear the reasonable expense of claiming the warranty. This warranty will no longer apply where the defect is a result of alteration, accident, misuse, abuse, or neglect.

Please retain your receipt as proof of purchase and contact our Customer Service Centre as listed below, for the entity you purchased this product from, for any difficulties with your product. Warranty claims and claims for expenses incurred in returning this product can be addressed to the respective Customer Service Centre.

Our goods come with guarantees that cannot be excluded under the Australian Consumer Law. You are entitled to a replacement or refund for a major failure and compensation for any other reasonably foreseeable loss or damage. You are also entitled to have the goods repaired or replaced if the goods fail to be of acceptable quality and the failure does not amount to a major failure.

Contact for Kmart purchases	Contact for Target purchases
Kmart Australia Ltd. C/- Customer Service Centre, 690 Springvale Road, Mulgrave Vic 3170 Customer Service: 1800 124 125 (Australia) or 0800 945 995 (New Zealand) or via Customer Help at kmart.com.au	Target Australia Pty Ltd. C/- Customer Service Centre, 2 Kendall Street, Williams Landing, Vic, 3027 Customer Service: 1300 753 567 or via Customer Help at target.com.au/help/contact-us

IMPORTANT! For all technical queries or difficulties in operating the product and for spare parts, contact H.E. Group customer service 1300 105 888 (Australia) and 09 8870 447 (New Zealand).

